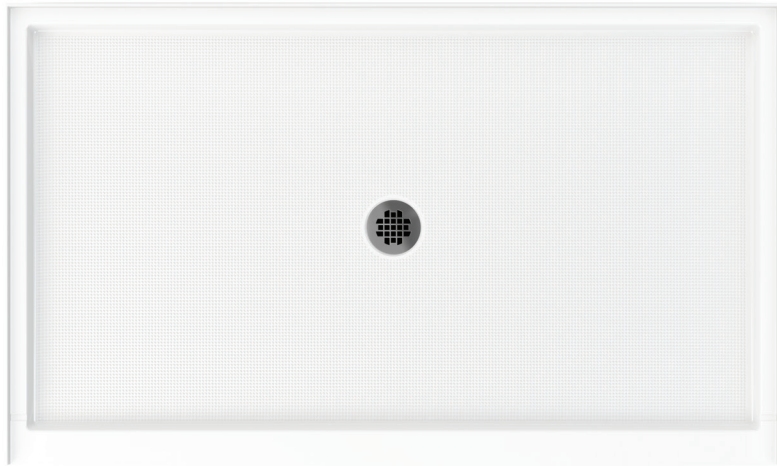


SINGLE THRESHOLD SHOWER PAN

Exterior Dimensions: 60 x 36 x 3 inches



FEATURES

- Molded Compound
- Will not mold or mildew, no grout to clean.
- Textured, slip-resistant surface.
- Low 3" threshold
- No surface coating to chip or crack.
- Available in White only
- Limited Lifetime – Residential
Limited 5-year – Commercial

STANDARDS AND RATINGS

- American National Standard Institute—ANSI Z124.1.2
- International Association of Plumbing and Mechanical Officials (IAPMO)—Listed
- CSA Standard B45.5 by IAPMO
- Uniform Plumbing Code (UPC)

Dimensions may vary \pm 1/4" inch.

Please check unit before installation.

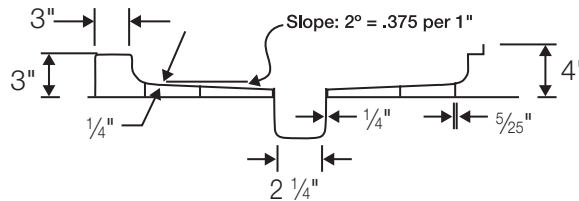
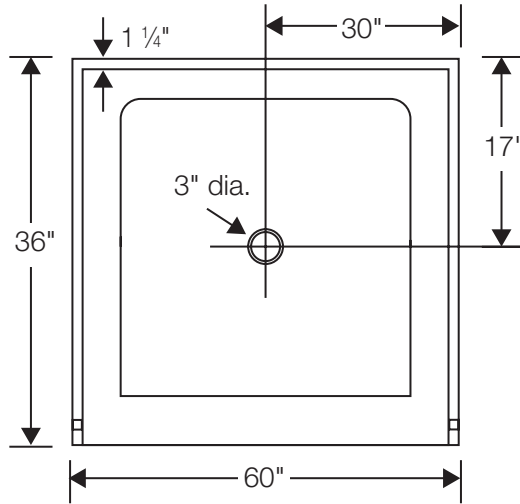
*See terms and conditions for details.

COLOR OPTION

Standard Color	Code
White	WT

3660F

Exterior Dimensions:
60 x 36 x 3 inches



FEATURES Dimensional Tolerance $\pm 1/4"$. Dimensions needed for site preparation should be measured from the unit. American Bath Group assumes no responsibility for preparatory work.

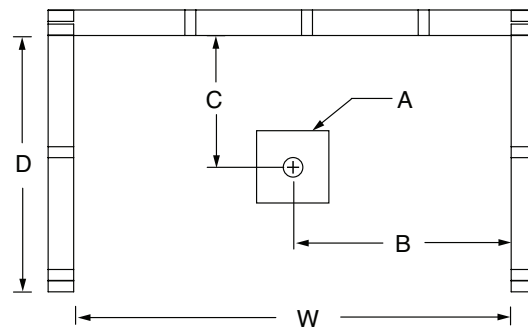
Model #	Material	Drain	Net Wt.	Pkg. Wt.
Shower Pan #3660F	Molded Compound	Center	85	71

DIMENSIONS

Specifications	inches
Width: Overall / Net	60
Depth: Overall / Net	36
Height: Overall / Net	4 / 3
Enclosure Opening	57 1/2
Skirt Height	3
Drain Rough-In (from Back Wall)	17
Drain Rough-In (from Side Wall)	30
Drain: Diameter / Clearance	3 / 2 1/4

FRAMING DIMENSIONS INCHES

Type	D Depth	W Width	H Height	A	B	C
Alcove	36 3/16	60 3/8	3	Box Out	30 3/16	17 9/16



Rev. 10.13.23

