

*There is more than one version of this model.  
Page down to identify the version you have.*

## DESCRIPTION

- Handheld shower
- 72" double interlock spiral hose (metal)

## OPERATION

- Single function
- Handshower holder rotates to adjust angle of handshower

## FLOW

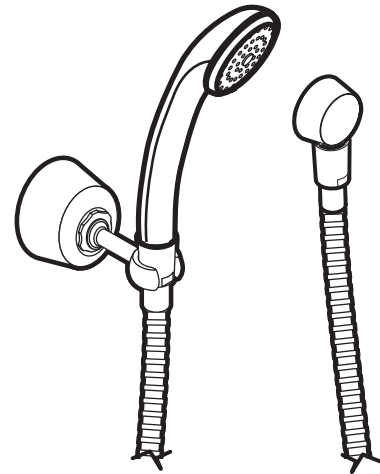
- Designed to deliver 1.5 gpm (5.7 L/min) at 80 psi

## STANDARDS

- Third party certified to WaterSense®, ASME A112.18.1/CSA B125.1, and ASSE 1014 and all applicable specifications referenced therein
- Backflow prevention compliance through ASME A112.18.3

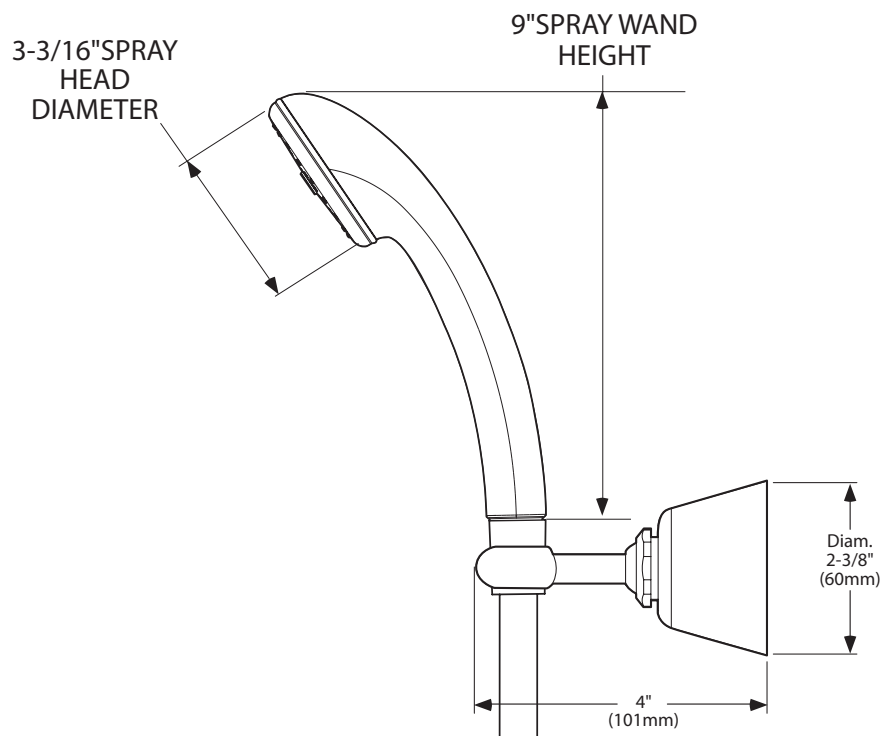
## WARRANTY

- Lifetime limited warranty against leaks, drips and finish defects to the original homeowner
  - 10 year limited warranty when used in a multifamily installation
  - 5 year limited warranty when used in a commercial installation
- Visit [www.moen.com/support](http://www.moen.com/support) for complete details and limitations



**Handshower with Bracket & Hose**

**Model: 52748EP15**



## CRITICAL DIMENSIONS

(DO NOT SCALE)

### DESCRIPTION

- Handheld shower
- 69" double interlock spiral hose (metal)

### OPERATION

- Single function
- Handshower holder rotates to adjust angle of handshower

### FLOW

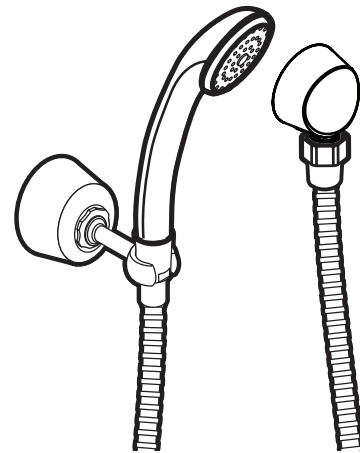
- Designed to deliver 1.5 gpm (5.7 L/min) at 80 psi

### STANDARDS

- Designed and manufactured to comply with the applicable requirements of ASME A112.18.1/CSA B-125.1 and ASSE 1014 and all applicable specifications referenced therein
- Backflow prevention compliance through ASME A112.18.3

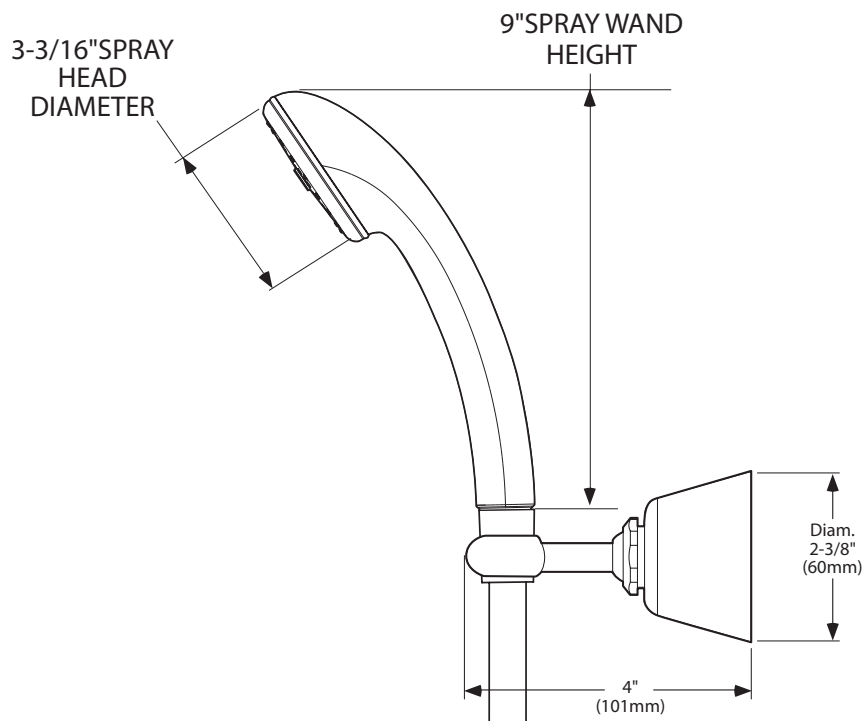
### WARRANTY

- Limited lifetime warranty against material or manufacturing defects



Handshower with Bracket & Hose

Model: 52748EP15



### CRITICAL DIMENSIONS

(DO NOT SCALE)