

**Florestone  
Model 36-Corner  
Fiberglass Shower**

37" x 37" x 73"  
Weight: 100 lbs.

**Architect's  
Specifications**

Furnish and install one piece shower unit Model 36-CORNER as manufactured by Florestone Products Company. Unit to be manufactured of gel-coated fiberglass meeting Class C Flame Retardance and to be supplied with slip-resistant floor laminated for extra rigidity. Color will be white (unless otherwise specified).

Unit to be supplied with 2" PNC non-caulk drain.

Standard Color: White.

**Optional Colors**

Colors matching most major manufacturers' colors are available.

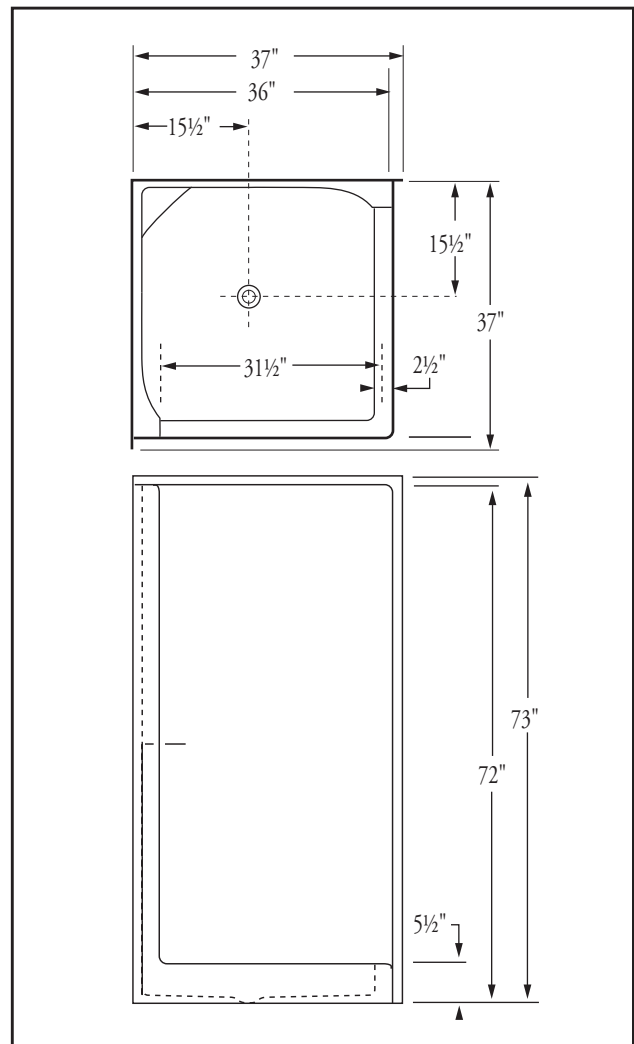
**Standards:**

I.A.P.M.O. Listed  
File 0687  
ANSI-Z-124.2



**FLORESTONE PRODUCTS CO., INC.**

2851 Falcon Drive • Madera, CA 93637  
T. 559.661.4171 • T. 800.446.8827  
F. 559.661.2070 • florestone.com



**Dimensions may vary ± 1/4" inch.  
Please check unit before installation.**