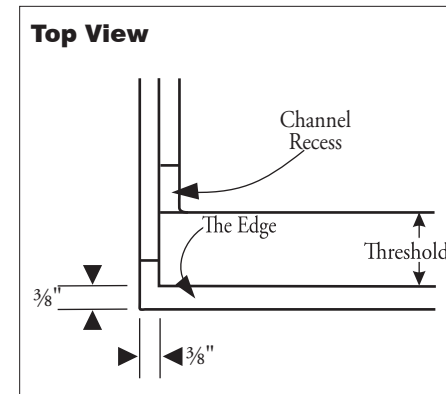
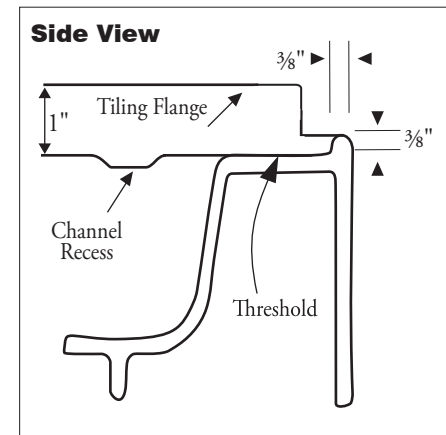
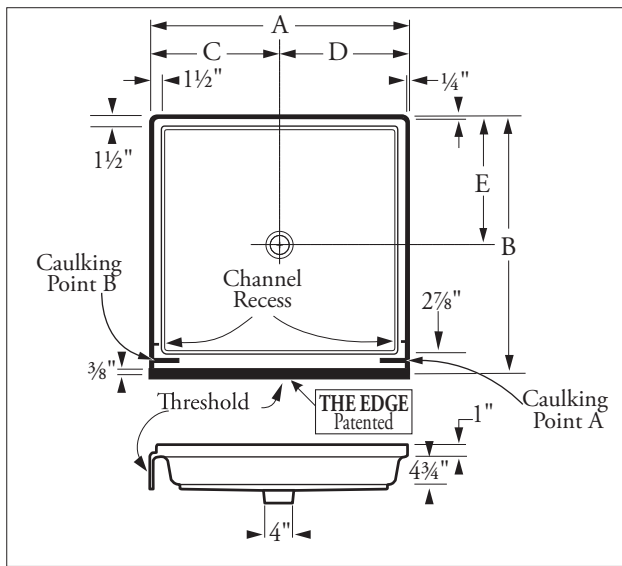




One Piece, single threshold model for recessed installation. Features 1" flange on three remaining sides. Integral drain with Wedge-Lok® Seal.



**Florestone  
Recess Shower Receptors  
with THE EDGE  
Patent No. US D540, 926 S**



**Edge Dimension: 3/8" w x 3/8" h**

Model	A	B	C	D	E	WT.
3636-1	36"	36"	18"	18"	18"	44
3642-1	36"	42"	18"	18"	21"	53
4234-1	42"	34"	21"	21"	17"	54
4242-1	42"	42"	21"	21"	21"	58
4832-1	48"	32"	24"	24"	16"	54
4834-1	48"	34"	24"	24"	17"	56
6034-1	60"	34"	30"	30"	17"	66

**Dimensions subject to change without notice.  
Contact Florestone Products to verify product specifications.**

**Standards:**

I.A.P.M.O. International Association of Plumbing and Mechanical Officials  
File No. 0687.  
ANSI American National Standards Institute - Specifications Z-124.2.  
HUD/FHA National Specifications UN-73.



**FLORESTONE PRODUCTS CO., INC.**

2851 Falcon Drive • Madera, CA 93637

T. 559.661.4171 • T. 800.446.8827

F. 559.661.2070 • florestone.com

**Molded Recess Shower Receptors with THE EDGE**

## Florestone Saflor® Recess Shower Receptors

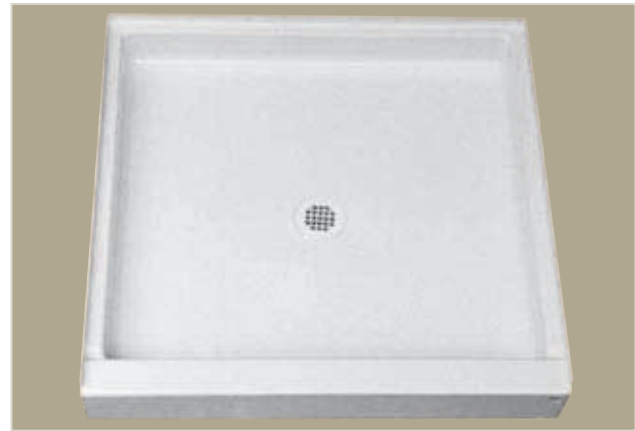
### Architect's Specifications

Furnish and install Saflor® Shower Receptor manufactured by Florestone Products Co. (Model Number - see table.) The receptor shall be furnished with slip-resistant design that does not interfere with the flow of water nor trap it. Receptor to have integral molded drain (Note: 3634-1 not available with integral drain or as a Corner Model). Receptor to have not less than 1" flange on remaining sides. Receptor to be stain, and fungus resistant. Color to be off-white (unless other specified) and will be resistant to fading and abrasion.

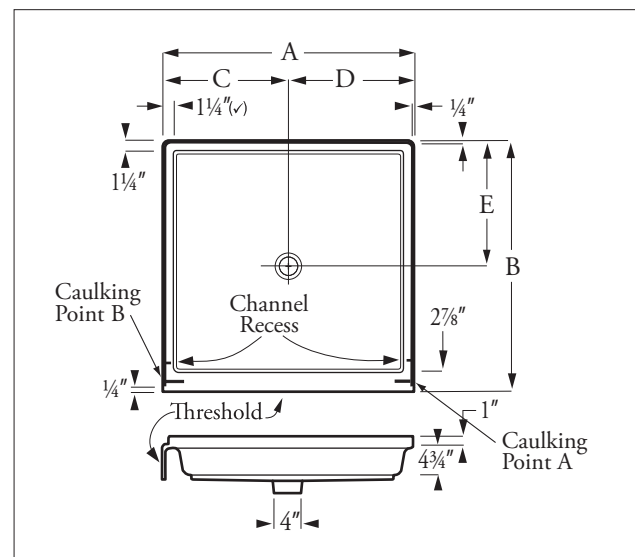
Model shall conform to ANSI-Z124.1.2-2005

### SAFLOR® Options and Accessories

Biscuit, Bone	Strainer, Chrome
Josam Jiffy-Joint™	Strainer, Plastic
Wedge-Lok® Seal	Repair Kit
Strainer, Brass	



One piece, single threshold model for recessed installation. Features 1" flange on three remaining sides. Integral drain with Wedge-Lok® Seal.



Model	A	B	C	D	E	WT.
3232-1*	32"	32"	16"	16"	16"	40
3434-1	34"	34"	17"	17"	17"	42
3634-1**	35 1/2"	33 1/2"	17 1/2"	17 3/4"	16"	56
5434-1	54"	34"	27"	27"	17"	76
6032-1	60"	32"	30"	30"	16"	76

\* Does not meet I.A.P.M.O. minimum size requirements. Check local codes.

\*\* Integral drain not available with this model (3634-1). Supplied with 101 PNC non-caulk drain.

**Dimensions subject to  
change without notice**

**Contact Florestone Products to  
verify product specifications.**



### FLORESTONE PRODUCTS CO., INC.

2851 Falcon Drive • Madera, CA 93637

T. 559.661.4171 • T. 800.446.8827

F. 559.661.2070 • florestone.com

#### Standards:

I.A.P.M.O. International Association of Plumbing and Mechanical Officials  
File No. 0687.

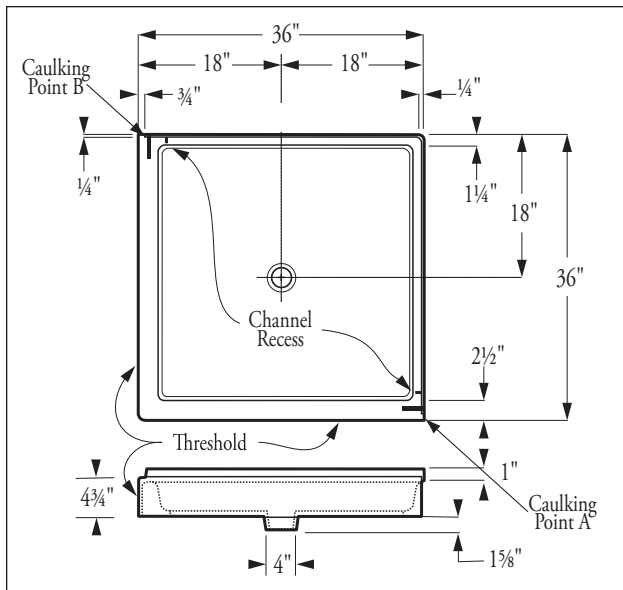
ANSI American National Standards Institute - Specifications Z-124.2.

HUD/FHA National Specifications UN-73.





One piece, double threshold model for corner installation. Square 36" x 36" dimension allows either right-hand or left-hand corner installation.



Model	Weight
3636-2	53

**Dimensions subject to change without notice.**  
**Contact Florestone Products to verify product specifications.**

**Standards:**

- I.A.P.M.O. International Association of Plumbing and Mechanical Officials  
File No. 0687.
- ANSI American National Standards Institute - Specifications Z-124.2.
- HUD/FHA National Specifications UN-73.



**Florestone Saflor®  
 Model 3636-2 Corner  
 Shower Receptors**

**Architect's  
 Specifications**

Furnish and install 3636-2 Saflor® Shower Receptor manufactured by Florestone Products Co. The receptor shall have a slip-resistant design that does not interfere with the flow of water nor trap it. Receptor to have integral molded drain and square finished design to allow either right-hand or left-hand installation. Receptor to have not less than 1" flange on two sides and to be stain and fungus resistant. Color to be off-white (unless other specified) and will be resistant to fading and abrasion.

Model shall conform to ANSI-Z-124.2.

**SAFLOR® Options and Accessories**

- Biscuit, Bone
- Josam Jiffy-Joint™
- Wedge-Lok® Seal
- Strainer, Brass
- Strainer, Chrome
- Strainer, Plastic
- Repair Kit



**FLORESTONE PRODUCTS CO., INC.**

2851 Falcon Drive • Madera, CA 93637  
 T. 559.661.4171 • T. 800.446.8827  
 F. 559.661.2070 • florestone.com

## Florestone Saflor® Corner Shower Receptors

### Architect's Specifications

Furnish and install Saflor® Shower Receptor manufactured by Florestone Products Co. (Model Number - see table)  
The receptor shall be furnished with a slip-resistant design that does not interfere with the flow of water nor trap it. Receptor to have integral molded drain and sill with aluminum cap on the side adjacent to the threshold. Receptor to have not less than 1" flange on remaining sides. Receptor to be stain and fungus resistant. Color to be off-white and will be resistant to fading and abrasion. Model shall conform to ANSI-Z-124.2.

### SAFLOR® Options and Accessories

Josam Jiffy-Joint™

Wedge-Lok® Seal

Strainer, Brass

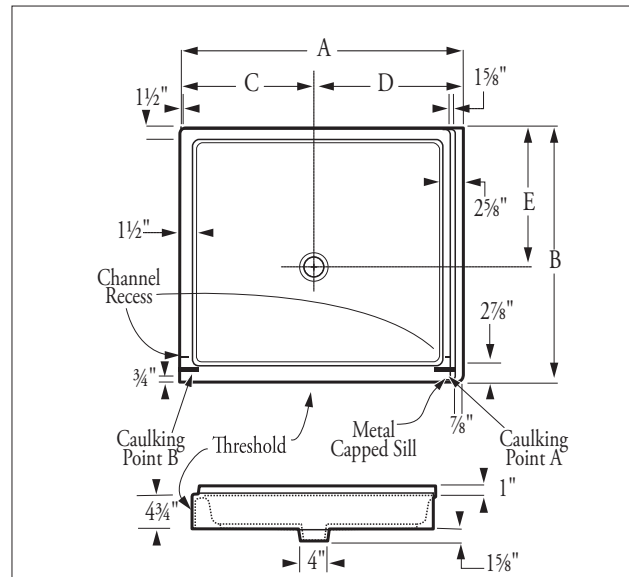
Strainer, Chrome

Strainer, Plastic

Repair Kit

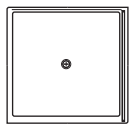


One piece, right or left-hand corner model with metal capped sill 3/4" wide and 1 1/4" high for glass side wall installation on left or right side of threshold.

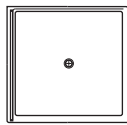


### SPECIFY RIGHT OR LEFT-HAND SILL.

#### CORNER



Right Hand



Left Hand

Model	A	B	C	D	E	WT.
3232-2	33 3/8"	32"	16"	17 3/8"	16"	50
3434-2	35 3/8"	34"	17"	18 3/8"	17"	54
4234-2	43 3/8"	34"	21"	22 3/8"	17"	64
4832-2	49 3/8"	32"	24"	25 3/8"	16"	70
4834-2	49 3/8"	34"	24"	25 3/8"	17"	75
5434-2	55 3/8"	34"	27"	28 3/8"	17"	84
6032-2	61 3/8"	32"	30"	31 3/8"	16"	86
6034-2	61 3/8"	34"	30"	31 3/8"	17"	96

**Dimensions subject to change without notice.  
Contact Florestone Products to verify product specifications.**



### FLORESTONE PRODUCTS CO., INC.

2851 Falcon Drive • Madera, CA 93637

T. 559.661.4171 • T. 800.446.8827

F. 559.661.2070 • florestone.com

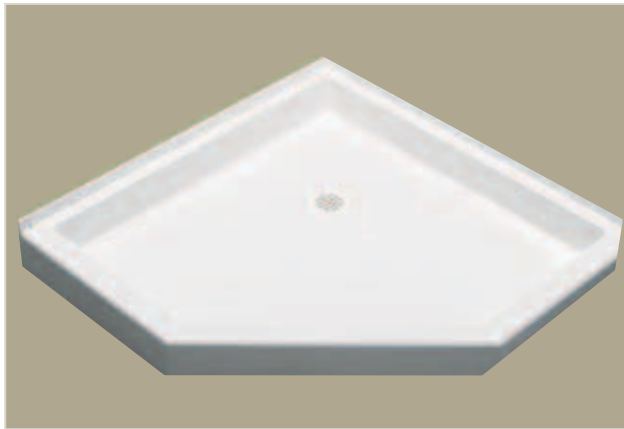
#### Standards:

I.A.P.M.O. International Association of Plumbing and Mechanical Officials  
File No. 0687.

ANSI American National Standards Institute - Specifications Z-124.2.

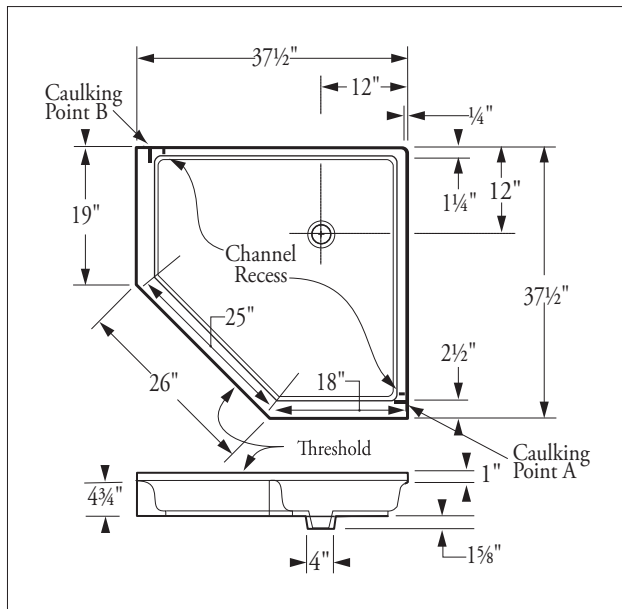
HUD/FHA National Specifications UN-73.





### Neo Angle Model

One piece, molded receptor with center door opening for corner installation. 1" flange on two sides. Integral drain with Wedge-Lok® Seal.



Model	Weight
37 1/2 NEO	60

**Dimensions subject to change without notice.**

**Contact Florestone Products to verify product specifications.**

#### Standards:

I.A.P.M.O.	International Association of Plumbing and Mechanical Officials File No. 0687.
ANSI	American National Standards Institute - Specifications Z-124.2.
HUD/FHA	National Specifications UN-73.



## Florestone Saflor® Molded NEO-Angle Corner Receptor Model 37 1/2 NEO

### Architect's Specifications

Furnish and install Saflor® Model 37 1/2 Neo Shower Receptor manufactured by Florestone Products Co. The receptor shall be furnished with slip-resistant design that does not interfere with the flow of water nor trap it. Receptor to have integral molded drain. Receptor to have not less than 1" flange on two sides. Receptor to be stain, and fungus resistant. Color to be off-white (unless other specified) and will be resistant to fading and abrasion. Model shall conform to ANSI-Z-124.2.

### SAFLOR® Options and Accessories

- Biscuit, Bone
- Josam Jiffy-Joint™
- Wedge-Lok® Seal
- Strainer, Brass
- Strainer, Chrome
- Strainer, Plastic
- Repair Kit



### FLORESTONE PRODUCTS CO., INC.

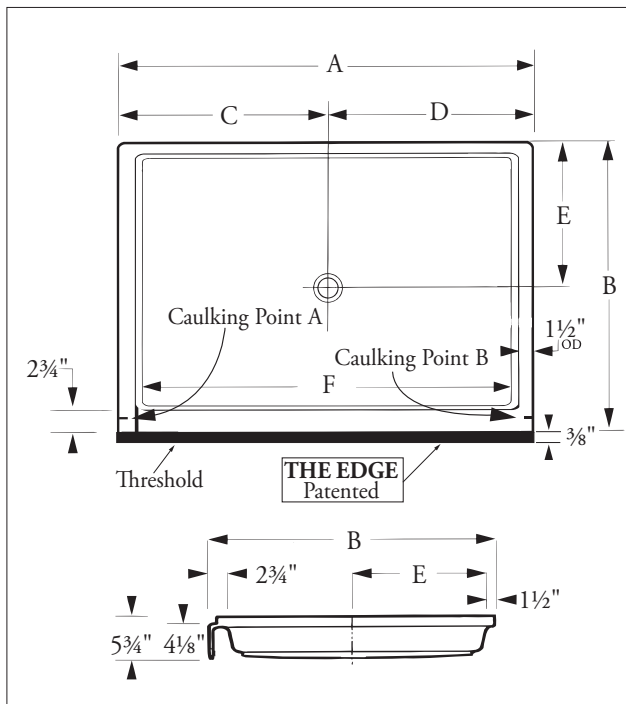
2851 Falcon Drive • Madera, CA 93637

T. 559.661.4171 • T. 800.446.8827

F. 559.661.2070 • florestone.com



One piece, single threshold model for recessed installation. Features 1" flange on three remaining sides. Center drain.



Model	A	B	C	D	E	WT.
3636F	36"	36"	18"	18"	18"	38
4242F	42"	42"	21"	21"	21"	50
3448F	48"	34"	24"	24"	17"	44
3648F	48"	36"	24"	24"	18"	36
4248F	48"	42"	24"	24"	21"	47
4848F	48"	48"	24"	24"	24"	50
4260F	60"	42"	30"	30"	21"	60
3460F	60"	34"	30"	30"	17"	50

**Standards:**

- I.A.P.M.O. International Association of Plumbing and Mechanical Officials  
File No. 0687.
- ANSI American National Standards Institute - Specifications Z-124.2.
- HUD/FHA National Specifications UN-73.



## Floestone Molded Fiberglass Shower Receptors with THE EDGE

### Architect's Specifications

Furnish and install molded fiberglass one piece shower unit manufactured by Floestone Products Company. Unit to be manufactured of gel-coated fiberglass meeting Class C Flame Retardance and to be supplied with slip-resistant floor laminated for extra rigidity. Color will be white (unless otherwise specified). Unit to be supplied with a 2" PNC non-caulk drain.

Standard Color: White

Optional Colors

Color matching most major manufacturers' colors are available.

### Colors

Standard: White, Bone

Special: Granite (see pg. 12)

**Dimensions may vary ± 1/4" inch.  
Please check unit before installation.**

**Place receptor on a minimum 1/4" bed  
of mortar or plaster for warranty  
compliance.**

**Dimensions subject to  
change without notice.  
Contact Floestone Products to  
verify product specifications.**



**FLORESTONE PRODUCTS CO., INC.**

2851 Falcon Drive • Madera, CA 93637

T. 559.661.4171 • T. 800.446.8827

F. 559.661.2070 • floestone.com

**Florestone Saflor®  
Model 3232F Corner  
Molded Fiberglass  
Shower Receptors**

**Architect's  
Specifications**

Furnish and install 3232F Corner Shower Receptor manufactured by Florestone Products Co. The receptor shall be furnished with slip-resistant design that does not interfere with the flow of water nor trap it. Receptor to have not less than 1" flange on two sides. Receptor to be stain and fungus resistant. Color to be white (unless other specified) and will be resistant to fading and abrasion. Model shall conform to ANSI-Z-124.2.

**SAFLOR® Options and Accessories**

Standard: White, Bone, Biscuit  
Special: Granite (see pg. 12)

Strainer, Brass

Strainer, Chrome

Strainer, Plastic

Repair Kit

**Dimensions may vary ± 1/4" inch.  
Please check unit before installation.**

**Place receptor on a minimum 1/4" bed  
of mortar or plaster for warranty  
compliance.**



**FLORESTONE PRODUCTS CO., INC.**

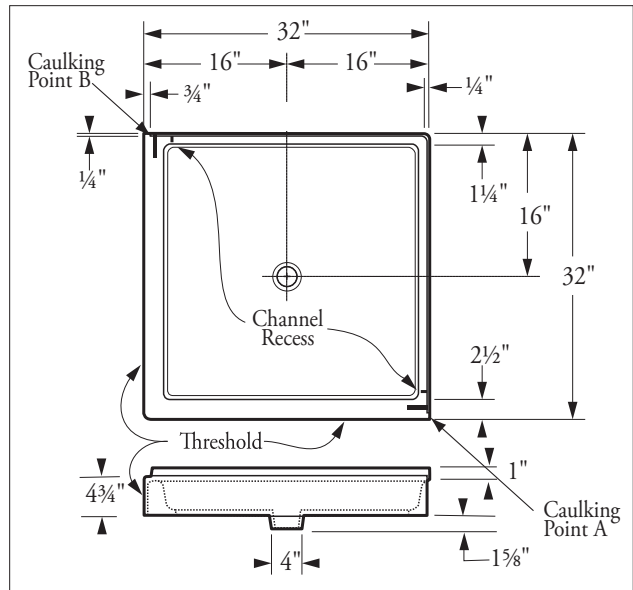
2851 Falcon Drive • Madera, CA 93637

T. 559.661.4171 • T. 800.446.8827

F. 559.661.2070 • florestone.com



One piece, double threshold model for corner installation. Square 32" x 32" dimension allows either right-hand or left-hand corner installation.



Model	Weight
3232F	59

**Dimensions subject to change without notice.  
Contact Florestone Products to verify product specifications.**

**Standards:**

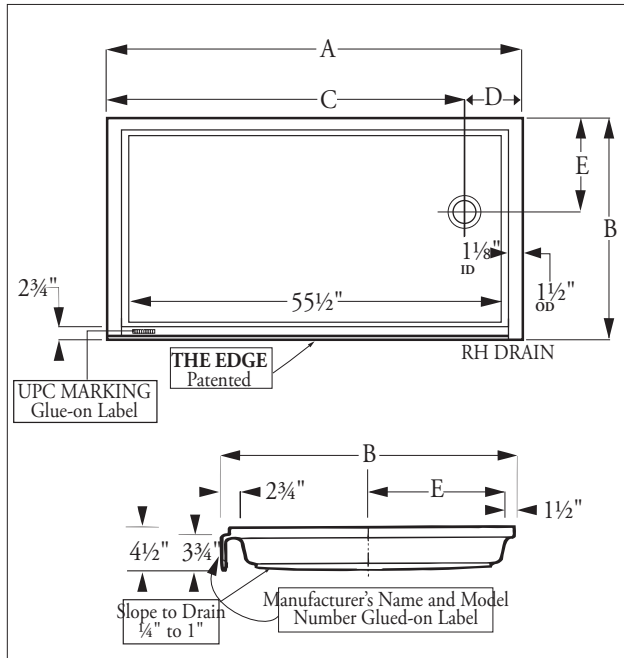
I.A.P.M.O. International Association of Plumbing and Mechanical Officials  
File No. 0687.  
ANSI American National Standards Institute - Specifications Z-124.2.  
HUD/FHA National Specifications UN-73.





One piece, single threshold model for recessed installation. Features 1" flange on three remaining sides. End drain.

Specify RH or LH Drain



One piece, single threshold model for recessed installation. Features 1" flange on three remaining sides. End drain.

#### MOLDED FIBERGLASS END-DRAIN SHOWER RECEPTORS

Model	A	B	C	D	E	WT.
3060F	60"	30"	52"	8"	15"	45
3260F	60"	32"	52"	8"	15"	45

**Dimensions subject to change without notice.**

**Contact Florestone Products to verify product specifications.**

#### Standards:

I.A.P.M.O. International Association of Plumbing and Mechanical Officials  
File No. 0687.  
ANSI American National Standards Institute - Specifications Z-124.2.  
HUD/FHA National Specifications UN-73.



## Florestone Model 3060F & Model 3260F Molded Fiberglass Shower Receptor with THE EDGE

60" x 30"

Weight: 45 lbs.

### Architect's Specifications

Furnish and install one piece shower unit Model 3060F and 3260F as manufactured by Florestone Products Company. Unit to be manufactured of gel-coated fiberglass meeting Class C Flame Retardance and to be supplied with slip-resistant floor laminated for extra rigidity. Color will be white (unless otherwise specified). Unit to be supplied with a 2" PNC non-caulk drain.

Standard Color: White

Optional Colors

Color matching most major manufacturers' colors are available.

### Colors

Standard: White, Bone, Biscuit

Special: Granite (see pg. 12)

**Dimensions may vary  $\pm$  1/4" inch.**

**Please check unit before installation.**

**Place receptor on a minimum 1/4" bed of mortar or plaster for warranty compliance.**



**FLORESTONE PRODUCTS CO., INC.**

2851 Falcon Drive • Madera, CA 93637

T. 559.661.4171 • T. 800.446.8827

F. 559.661.2070 • florestone.com

**Florestone  
Model 3060F-BF  
Barrier-Free  
Molded Fiberglass  
Shower Receptor**

60" x 30"

Weight: 40 lbs.

**Architect's  
Specifications**

Furnish and install one piece, barrier-free shower unit Model 3060F-BF as manufactured by Florestone Products Company. Unit to be manufactured of gel-coated fiberglass meeting Class C Flame Retardance and to be supplied with slip-resistant floor laminated for extra rigidity. Color will be white (unless otherwise specified). Unit to be supplied with a 2" PNC non-caulk drain.

Standard Color: White

Optional Colors

Color matching most major manufacturers' colors are available.

**Colors**

Standard: White, Bone, Biscuit

Special: Granite (see pg. 12)

**Dimensions may vary  $\pm$  1/4" inch.  
Please check unit before installation.**

**Place receptor on a  
minimum 1/4" bed of mortar  
or plaster for warranty compliance.**



**FLORESTONE PRODUCTS CO., INC.**

2851 Falcon Drive • Madera, CA 93637

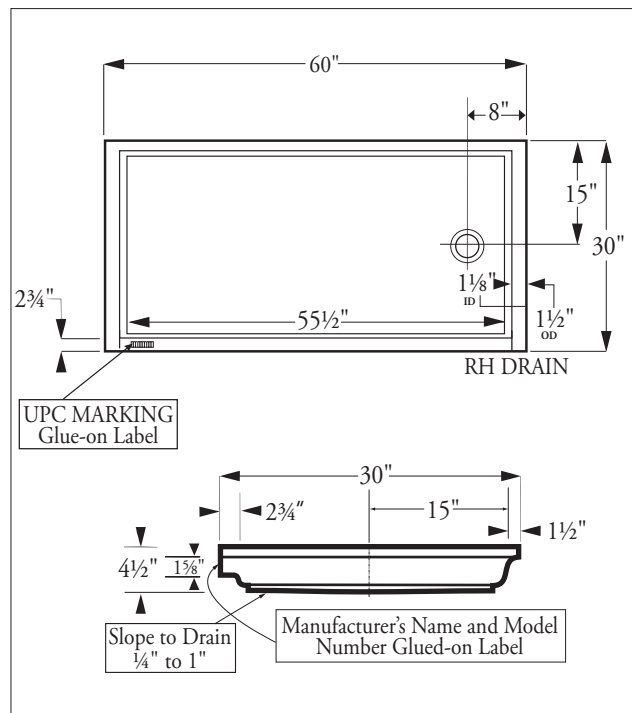
T. 559.661.4171 • T. 800.446.8827

F. 559.661.2070 • florestone.com



One piece, single threshold model for recessed installation. Features 1" flange on three remaining sides. End drain.

Specify RH or LH Drain

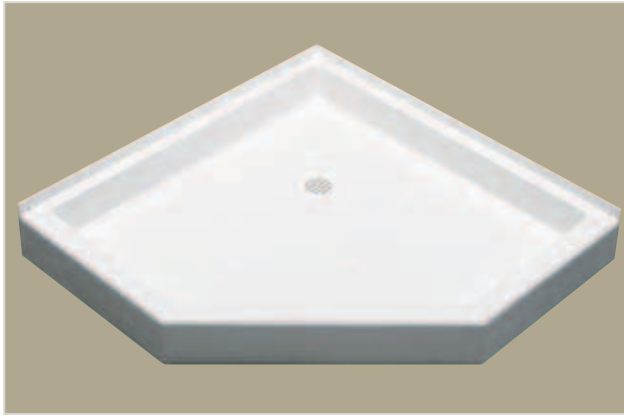


**Dimensions subject to change without notice.  
Contact Florestone Products to  
verify product specifications.**

**Standards:**

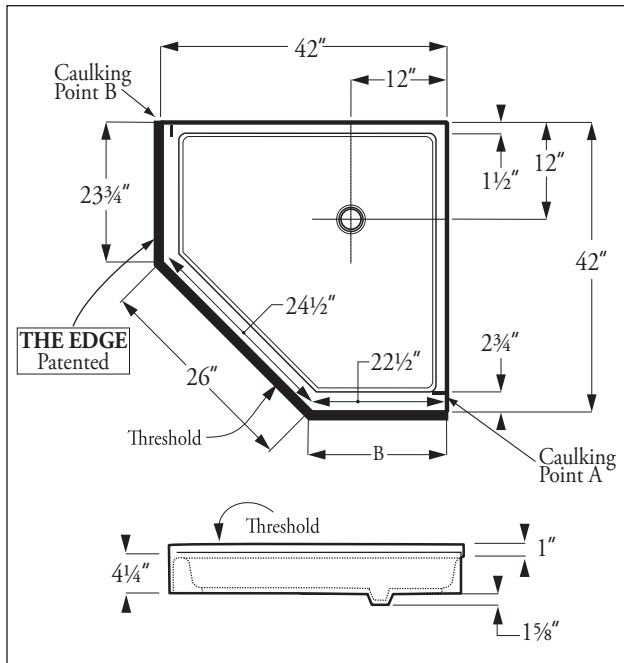
- I.A.P.M.O. International Association of Plumbing and Mechanical Officials  
File No. 0687.
- ANSI American National Standards Institute - Specifications Z-124.2.
- HUD/FHA National Specifications UN-73.





### Neo Angle Model

One piece, molded receptor with center drain opening for corner installation. 1" flange on two sides.



Model	Weight
42F NEO	48

**Dimensions subject to change without notice.**

**Contact Florestone Products to verify product specifications.**

#### Standards:

I.A.P.M.O. International Association of Plumbing and Mechanical Officials  
File No. 0687.  
ANSI American National Standards Institute - Specifications Z-124.2.  
HUD/FHA National Specifications UN-73.



## Florestone Model 42F Neo Molded Fiberglass Neo Shower Receptor

### Architect's Specifications

Furnish and install Model 42F Neo Shower Receptor manufactured by Florestone Products Co. The receptor shall be furnished with slip-resistant design that does not interfere with the flow of water nor trap it. Receptor to have not less than 1" flange on two sides. Receptor to be stain, and fungus resistant. Color to be white (unless other specified) and will be resistant to fading and abrasion. Model shall conform to ANSI-Z-124.2.

### SAFLOR® Options and Accessories

Standard: White, Bone, Biscuit

Special: Granite (see pg. 12)

Strainer, Brass

Strainer, Chrome

Strainer, Plastic

Repair Kit

**Dimensions may vary  $\pm 1/4$ " inch.**

**Please check unit before installation.**

**Place receptor on a minimum  $1/4$ " bed of mortar or plaster for warranty compliance.**

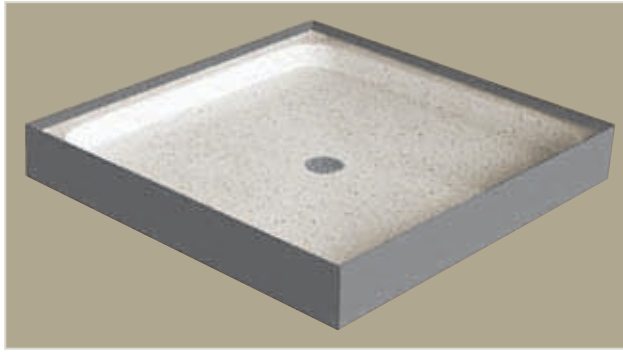


**FLORESTONE PRODUCTS CO., INC.**

2851 Falcon Drive • Madera, CA 93637

T. 559.661.4171 • T. 800.446.8827

F. 559.661.2070 • florestone.com



A	B	C	D	E	WT.
30"	30"	15"	15"	15"	160
30"	36"	18"	18"	15"	250
30"	60"	30"	30"	15"	400
32"	32"	16"	16"	16"	241
32"	36"	18"	18"	16"	295
32"	42"	21"	21"	16"	325
32"	46"	23"	23"	16"	340
32"	48"	24"	24"	16"	360
32"	54"	27"	27"	16"	425
32"	60"	30"	30"	16"	435
34"	34"	17"	17"	17"	253
34"	42"	21"	21"	17"	335
34"	48"	24"	24"	17"	346
36"	30"	15"	15"	18"	250
36"	32"	16"	16"	18"	295
36"	34"	17"	17"	18"	300
36"	36"	18"	18"	18"	315
36"	42"	21"	21"	18"	365
36"	48"	24"	24"	18"	445
36"	54"	27"	27"	18"	465
36"	60"	30"	30"	18"	500
40"	40"	20"	20"	20"	390
40"	48"	24"	24"	20"	510
42"	32"	16"	16"	21"	325
42"	34"	17"	17"	21"	335
42"	36"	18"	18"	21"	365
42"	42"	21"	21"	21"	381
48"	32"	16"	16"	24"	360
48"	34"	17"	17"	24"	346
48"	36"	18"	18"	24"	445
48"	48"	24"	24"	24"	550
54"	36"	18"	18"	27"	465
60"	30"	15"	15"	30"	400
60"	32"	16"	16"	30"	435
60"	36"	18"	18"	30"	500

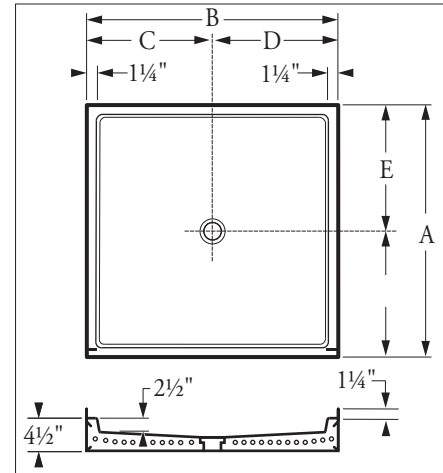
Model 100 is not I.A.P.M.O. listed.

**Dimensions subject to change without notice.  
Contact Florestone Products to verify product specifications.**

Dimensions may vary  $\pm \frac{1}{4}$ " inch. Please check unit before installation.  
Place receptor on a minimum  $\frac{1}{4}$ " bed of mortar or plaster for warranty compliance.

## Florestone Terrazzo Model 100 Shower Receptors

Center drain terrazzo shower receptor with  $1\frac{1}{4}$ " flanges on all four sides.



### Architect's Specifications

Furnish and install Model 100 terrazzo receptor as manufactured by Florestone Products Company. Shoulder will be not less than  $2\frac{1}{2}$ " inside. Flange, cast integral, will be galvanized-bonderized steel and extend not less than one inch (1") above shoulder on four sides for installation. Drain body will be brass, cast integral, and will provide for a non-caulked connection not less than one inch deep to a two inch pipe. Receptor will be manufactured of tan and white marble chips cast in white Portland cement to produce a compressive strength of not less than 3,000 PSI, seven days after casting. Terrazzo surface will be ground, polished, and the entire unit sealed to resist stains and moisture after any air holes and/or pits are grouted. Receptor will be reinforced with 16 gauge wire. Removable type stainless steel strainer plate will be supplied.

### Options

Offset drain. (Drawings required)



### FLORESTONE PRODUCTS CO., INC.

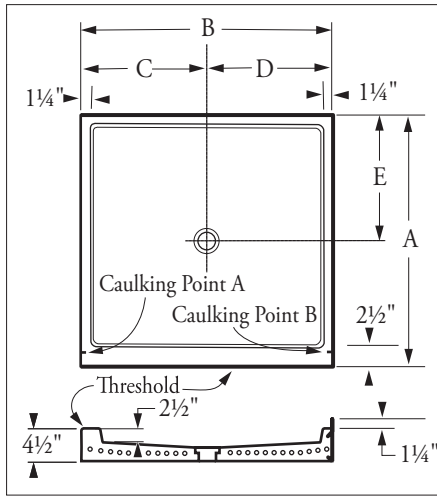
2851 Falcon Drive • Madera, CA 93637

T. 559.661.4171 • T. 800.446.8827

F. 559.661.2070 • florestone.com

## Florestone Terrazzo Model 200 Recess Shower Receptors

Center drain terrazzo shower receptor with 1 1/4" flanges on three sides for recess installation.



### Architect's Specifications

Furnish and install Model 200 receptor as manufactured by Florestone Products Company. Shoulder will be not less than 2 1/2" inside. Flange, cast integral, will be galvanized-bonderized steel and extend not less than one inch (1") above shoulder on three sides for installation. Drain body will be brass, cast integral, and will provide for a non-caulked connection not less than one inch deep to a two inch pipe. Receptor will be manufactured of tan and white marble chips cast in white Portland cement to produce a compressive strength of not less than 3,000 PSI, seven days after casting. Terrazzo surface will be ground, polished, and the entire unit sealed to resist stains and moisture after any air holes and/or pits are grouted. Receptor will be reinforced with 16 gauge wire. Removable type stainless steel strainer plate will be supplied.

### Options

Offset drain.

Additional flanges. (Drawings required)



### FLORESTONE PRODUCTS CO., INC.

2851 Falcon Drive • Madera, CA 93637

T. 559.661.4171 • T. 800.446.8827

F. 559.661.2070 • florestone.com



A	B	C	D	E	WT.
30"	30"T	15"	15"	15"	160
30"	36"T	18"	18"	15"	250
30"	60"T	30"	30"	15"	400
32"	32"T	16"	16"	16"	241
32"	36"T	18"	18"	16"	295
32"	42"T	21"	21"	16"	325
32"	46"T	23"	23"	16"	340
32"	48"T	24"	24"	16"	360
32"	54"T	27"	27"	16"	425
32"	60"T	30"	30"	16"	435
34"	34"T	17"	17"	17"	253
34"	42"T	21"	21"	17"	335
34"	48"T	24"	24"	17"	346
36"	30"T	15"	15"	18"	250
36"	32"T	16"	16"	18"	295
36"	34"T	17"	17"	18"	300
36"*	36"T	18"	18"	18"	315
36"*	42"T	21"	21"	18"	365
36"*	48"T	24"	24"	18"	445
36"*	54"T	27"	27"	18"	465
36"*	60"T	30"	30"	18"	500
40"*	40"T	20"	20"	20"	390
40"*	48"T	24"	24"	20"	510
42"	32"T	16"	16"	21"	325
42"	34"T	17"	17"	21"	335
42"*	36"T	18"	18"	21"	365
42"*	42"T	21"	21"	21"	381
48"	32"T	16"	16"	24"	360
48"	34"T	17"	17"	24"	346
48"*	36"T	18"	18"	24"	445
48"*	48"T	24"	24"	24"	550
54"*	36"T	18"	18"	27"	465
60"	30"T	15"	15"	30"	400
60"	32"T	16"	16"	30"	435
60"*	36"T	18"	18"	30"	500

\*Meets I.A.P.M.O. minimum size requirements.



Standards: International Association of Plumbing and Mechanical Officials File No. 0687.

**Dimensions subject to change without notice.  
Contact Florestone Products to verify product specifications.**

Dimensions may vary ± 1/4" inch. Please check unit before installation.

Place receptor on a minimum 1/4" bed of mortar or plaster for warranty compliance.



A	B	C	D	E	WT.
30"	30"T	15"	15"	15"	160
30"	36"T	18"	18"	15"	250
30"	60"T	30"	30"	15"	400
32"	32"T	16"	16"	16"	241
32"	36"T	18"	18"	16"	295
32"	42"T	21"	21"	16"	325
32"	46"T	23"	23"	16"	340
32"	48"T	24"	24"	16"	360
32"	54"T	27"	27"	16"	425
32"	60"T	30"	30"	16"	435
34"	34"T	17"	17"	17"	253
34"	42"T	21"	21"	17"	335
34"	48"T	24"	24"	17"	346
36"	30"T	15"	15"	18"	250
36"	32"T	16"	16"	18"	295
36"	34"T	17"	17"	18"	300
36"*	36"T	18"	18"	18"	315
36"*	42"T	21"	21"	18"	365
36"*	48"T	24"	24"	18"	445
36"*	54"T	27"	27"	18"	465
36"*	60"T	30"	30"	18"	500
40"*	40"T	20"	20"	20"	390
40"*	48"T	24"	24"	20"	510
42"	32"T	16"	16"	21"	325
42"	34"T	17"	17"	21"	335
42"*	36"T	18"	18"	21"	365
42"*	42"T	21"	21"	21"	381
48"	32"T	16"	16"	24"	360
48"	34"T	17"	17"	24"	346
48"*	36"T	18"	18"	24"	445
48"*	48"T	24"	24"	24"	550
54"*	36"T	18"	18"	27"	465
60"	30"T	15"	15"	30"	400
60"	32"T	16"	16"	30"	435
60"*	36"T	18"	18"	30"	500

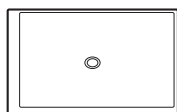
\*Meets I.A.P.M.O. minimum size requirements.



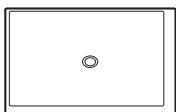
Standards: International Association of Plumbing and Mechanical Officials File No. 0687.

**Dimensions subject to change without notice.**  
**Contact Florestone Products to verify product specifications.**

**MODEL 300 CORNER  
2 TILING  
FLANGES**



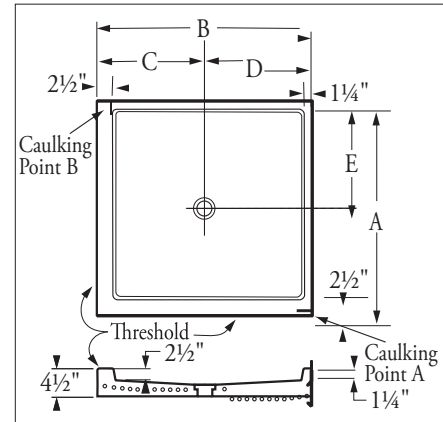
Left Hand



Right Hand

**Florestone Terrazzo  
Model 300 Corner  
Shower Receptors**

Center drain terrazzo shower receptor with 1 1/4" flange on two sides and double threshold for corner installation.



**Architect's  
Specifications**

Furnish and install Model 300 terrazzo receptor as manufactured by Florestone Products Company. Shoulder will be not less than 2 1/2" inside. Flange, cast integral, will be galvanized-bonderized steel and extend not less than one inch (1") above shoulder on two sides for installation. Drain body will be brass, cast integral, and will provide for a non-caulked connection not less than one inch deep to a two inch pipe. Receptor will be manufactured of tan and white marble chips cast in white Portland cement to produce a compressive strength of not less than 3,000 PSI, seven days after casting. Terrazzo surface will be ground, polished, and the entire unit sealed to resist stains and moisture after any air holes and/or pits are grouted. Receptor will be reinforced with 16 gauge wire. Removable type stainless steel strainer plate will be supplied.

**Options**

Offset drain.

Additional flanges. (Drawings required)

**Place receptor on a  
minimum 1/4" bed of mortar  
or plaster for warranty compliance.**



**FLORESTONE PRODUCTS CO., INC.**

2851 Falcon Drive • Madera, CA 93637

T. 559.661.4171 • T. 800.446.8827

F. 559.661.2070 • florestone.com

## Florestone Terrazzo Model 350 NEO-Angle Shower Receptors

Neo angle terrazzo shower receptor for corner installation, with 12" center drain and flanges on two sides for corner installation. Center door opening.

### Architect's Specifications

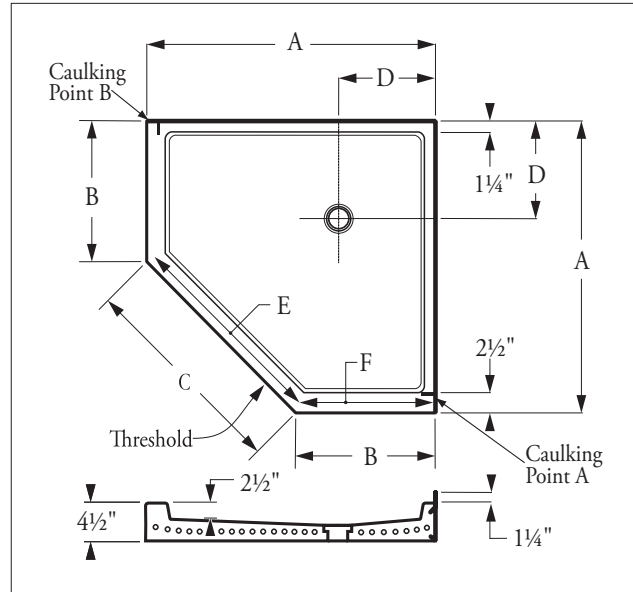
Furnish and install Model 350 terrazzo receptor as manufactured by Florestone Products Company. Shoulder will be not less than 2½" inside. Nailing flange, cast integral, will be galvanized-bonderized steel and extend not less than one inch (1") above shoulder on two sides for installation. Drain body will be brass, cast integral, and will provide for a non-caulked connection not less than one inch deep to a two inch pipe. Receptor will be manufactured of tan and white marble chips cast in white Portland cement to produce a compressive strength of not less than 3,000 PSI, seven days after casting. Terrazzo surface will be ground, polished, and the entire unit sealed to resist stains and moisture after any air holes and/or pits are grouted. Receptor will be reinforced with 16 gauge wire. Removable type stainless steel strainer plate will be supplied.

### Options

Offset drain.

Additional flanges.

(Drawings required)



A	B	C	D	E	F	WT.
34"	17½"	22¾"	12"	22"	16"	250
36"	17¼"	26⅞"	12"	25½"	16½"	277
38"*	19"	26½"	12"	25½"	18½"	300
40"*	18¾"	29½"	12"	28"	18"	325
42"	22¼"	27⅞"	12"	25"	20"	?

\*Meets I.A.P.M.O. minimum size requirements.



Standards: International Association of Plumbing and Mechanical Officials File No. 0687.

Dimensions may vary ± ¼" inch.

Please check unit before installation.

Place receptor on a minimum ¼" bed of mortar or plaster for warranty compliance.



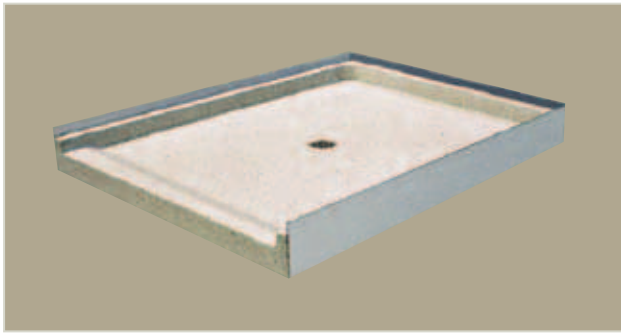
FLORESTONE PRODUCTS CO., INC.

2851 Falcon Drive • Madera, CA 93637

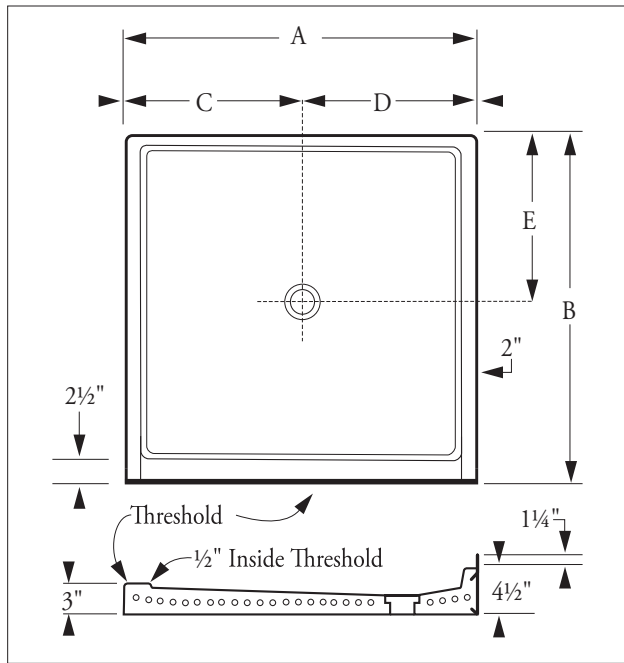
T. 559.661.4171 • T. 800.446.8827

F. 559.661.2070 • florestone.com

Dimensions subject to change without notice.  
Contact Florestone Products to verify product specifications.



**Model 400**  
Barrier free, center drain Terrazzo Shower Receptors with reduced threshold height.



A*	B	C	D	E	WT
36"	36"	18"	18"	18"	315
✓ 40"	38"	20"	20"	19"	370
42"	42"	21"	21"	21"	381
42"	36"	21"	21"	18"	365
48"	36"	24"	24"	18"	445
48"	48"	24"	24"	24"	550
60"	32"	30"	30"	16"	435
60"	36"	30"	30"	18"	500
✓ 63"	33"	31½"	31½"	16½"	500

\*Width of threshold (other sizes available upon request)

✓ Conforms to ADA Requirements

**Florestone  
Model 400  
Barrier-Free  
Terrazzo-  
Shower Receptors**



Some Models Conform to  
ADA REQUIREMENTS\*

**Architect's  
Specifications**

Furnish and install wheelchair accessible Terrazzo Shower Receptor Model 400 as manufactured by Florestone Products Company. Flanges on three sides, cast integral, shall be of galvanized-bonderized steel and shall extend not less than 1" above the shoulders. Shoulders on three sides shall be not less than 2½" inside. Threshold shall be not more than ½" above receptor floor to allow for barrier free entrance. Drain body shall be brass, cast integral, and shall provide for a non-caulked connection not less than one inch deep to a 2" pipe. Removable type stainless steel strainer plate shall be supplied. Receptor shall be manufactured of tan and white marble chips cast in white Portland cement to produce a compressive strength of not less than 3,000 PSI, seven days after casting. Terrazzo surface shall be ground, polished, and the entire unit sealed to resist stains and moisture. Receptors reinforced with 16-gauge wire.

**Options**

Offset drain.

Additional flanges.

(Drawings required)



**FLORESTONE PRODUCTS CO., INC.**

2851 Falcon Drive • Madera, CA 93637

T. 559.661.4171 • T. 800.446.8827

F. 559.661.2070 • florestone.com

**Dimensions subject to change without notice.  
Contact Florestone Products to verify product specifications.**

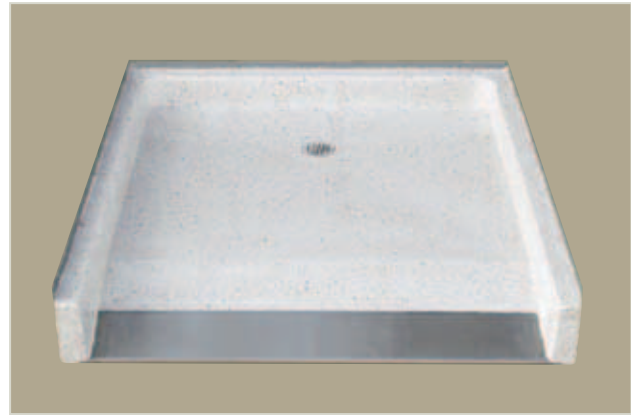
**Florestone  
Model 500  
Barrier-Free  
Terrazzo-  
Shower Receptors**

**Architect's  
Specifications**

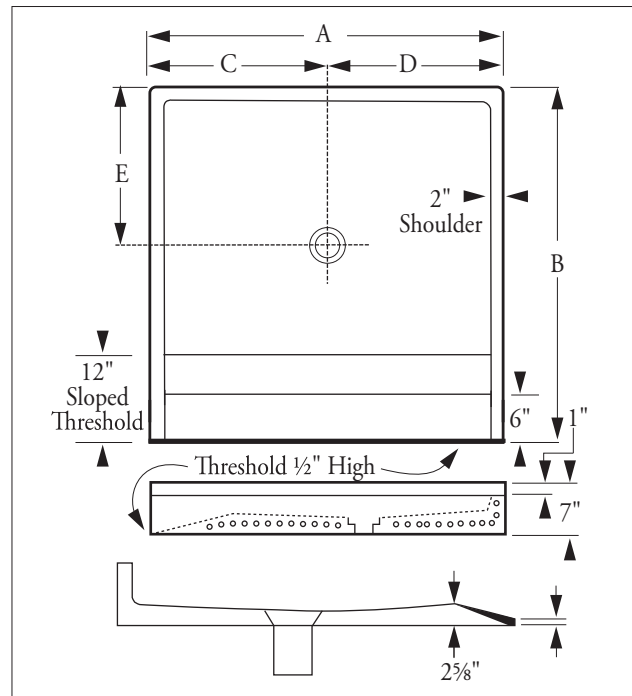
Furnish and install wheelchair accessible Terrazzo Shower Receptor Model 500 as manufactured by Florestone Products Company. Flanges on three sides, cast integral, shall be of galvanized-bonderized steel and shall extend not less than 1" above the shoulders. Shoulders on three sides shall be not less than 2½" inside. Threshold shall be not more than ½" above receptor floor to allow for barrier free entrance with an integral ramp. Drain body shall be brass, cast integral, and shall provide for a non-caulked connection not less than one inch deep to a 2" pipe. Removable type stainless steel strainer plate shall be supplied. Receptor shall be manufactured of tan and white marble chips cast in white Portland cement to produce a compressive strength of not less than 3,000 PSI, seven days after casting. Terrazzo surface shall be ground, polished, and the entire unit sealed to resist stains and moisture. Receptors reinforced with 16-gauge wire.

**Options**

Offset drain.  
Additional flanges.  
(Drawings required)



**Model 500**  
Barrier free Terrazzo Shower Receptors with built-in stainless steel ramp.



A	B	C	D	E	HT	WT
36"	36"	18"	18"	12"	7"	315
40"	40"	20"	20"	12"	7"	370
42"	48"	21"	21"	12"	7"	510
48"	48"	24"	24"	18"	7"	550

*Note: Exterior floor drain for water run-off recommended.*

**Place receptor on a minimum ¼" bed of mortar or plaster for warranty compliance.**

**Standards:**  
UPC I.A.P.M.O. International Association of Plumbing and Mechanical Officials File No. 0687.

**Dimensions subject to change without notice.  
Contact Florestone Products to verify product specifications.**

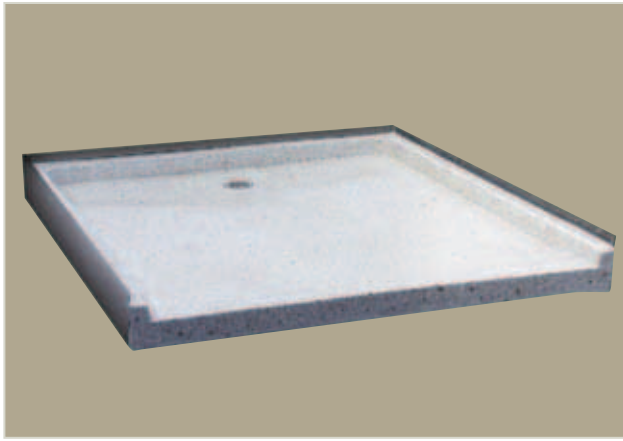


**FLORESTONE PRODUCTS CO., INC.**

2851 Falcon Drive • Madera, CA 93637

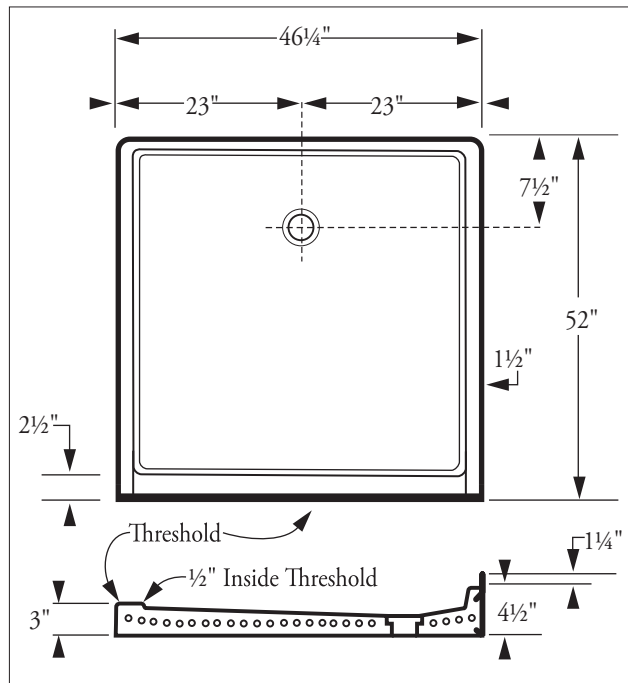
T. 559.661.4171 • T. 800.446.8827

F. 559.661.2070 • florestone.com



**Model 23-2HR**

Barrier free, wheelchair accessible Terrazzo Shower Receptor. Reduced threshold height for wheelchair accessibility.



**Florestone  
Model 23-2HR  
Barrier-Free Terrazzo  
Shower Receptor**

46" x 52" x 3"

Weight: 500 lbs.

**Architect's  
Specifications**

Furnish and install wheelchair accessible terrazzo shower receptor Model 23-2HR as manufactured by Florestone Products Company. Flanges on three sides, cast integral, shall be of galvanized-bonderized steel and shall extend not less than 1" above the shoulders. Shoulders on three sides shall be not less than 2 1/2" inside. Threshold shall be not more than 1/2" above receptor floor to allow for barrier free entrance. Drain body shall be brass, cast integral, and shall provide for a non-caulked connection not less than one inch deep to a 2" pipe. Removable type stainless steel strainer plate shall be supplied. Receptor shall be manufactured of tan and white marble chips cast in white Portland cement to produce a compressive strength of not less than 3,000 PSI, seven days after casting. Terrazzo surface shall be ground, polished, and the entire unit sealed to resist stains and moisture after any air holes and/or pits are grouted. Receptors reinforced with 16-gauge wire.



Standards: I.A.P.M.O. File No. 0357



**FLORESTONE PRODUCTS CO., INC.**

2851 Falcon Drive • Madera, CA 93637

T. 559.661.4171 • T. 800.446.8827

F. 559.661.2070 • florestone.com

**Dimensions may vary ± 1/4" inch.  
Please check unit before installation.**

**Place receptor on a minimum 1/4" bed of mortar  
or plaster for warranty compliance.**

**Dimensions subject to change without notice.  
Contact Florestone Products to verify product specifications.**