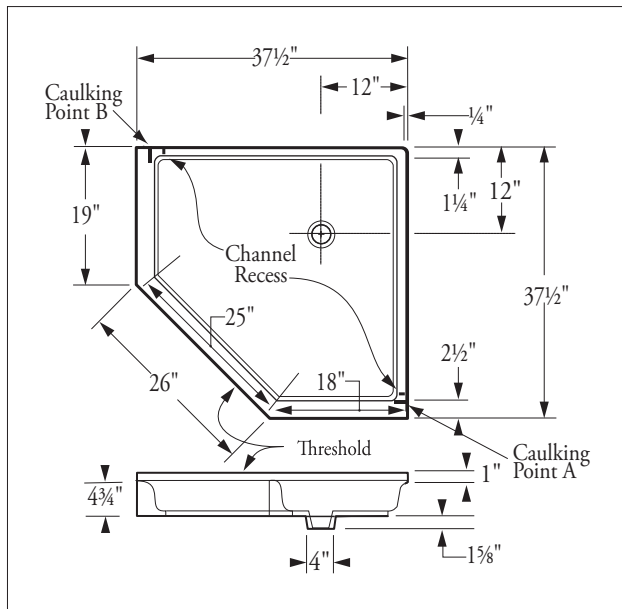




Neo Angle Model

One piece, molded receptor with center door opening for corner installation. 1" flange on two sides. Integral drain with Wedge-Lok® Seal.



Model	Weight
37 1/2 NEO	60

Dimensions subject to change without notice.

Contact Florestone Products to verify product specifications.

Standards:

I.A.P.M.O. International Association of Plumbing and Mechanical Officials
File No. 0687.
ANSI American National Standards Institute - Specifications Z-124.2.
HUD/FHA National Specifications UN-73.



Florestone Saflor® Molded NEO-Angle Corner Receptor Model 37 1/2 NEO

Architect's Specifications

Furnish and install Saflor® Model 37 1/2 Neo Shower Receptor manufactured by Florestone Products Co. The receptor shall be furnished with slip-resistant design that does not interfere with the flow of water nor trap it. Receptor to have integral molded drain. Receptor to have not less than 1" flange on two sides. Receptor to be stain, and fungus resistant. Color to be off-white (unless other specified) and will be resistant to fading and abrasion. Model shall conform to ANSI-Z-124.2.

SAFLOR® Options and Accessories

- Biscuit, Bone
- Josam Jiffy-Joint™
- Wedge-Lok® Seal
- Strainer, Brass
- Strainer, Chrome
- Strainer, Plastic
- Repair Kit



FLORESTONE PRODUCTS CO., INC.

2851 Falcon Drive • Madera, CA 93637
T. 559.661.4171 • T. 800.446.8827
F. 559.661.2070 • florestone.com