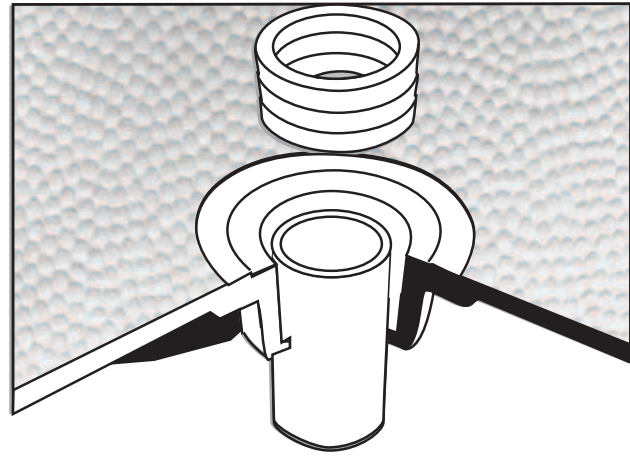


## Florestone Saflor® Molded Receptors Installation Instructions

1. Examine sub-floor shower area for movement and/or squeaks. Fix any problems encountered.
2. Integral drain requires minimum 5" diameter by 2¼" deep recess in sub-floor for adequate clearance.
3. Level and plumb pan on sub-floor. Shim or use mortar if needed to compensate for out of level sub-floor.
4. Install Wedge-Lok® seal. Use soapy water to lubricate.
5. Secure tiling flange to stud with large head nail or screw driven into place above the tiling flange. *(Do not nail or screw into tiling flange. May cause tiling flange to crack or break.)*
6. Pour water into shower pan to test for proper drainage upon connection of wastepipe prior to finishing walls.

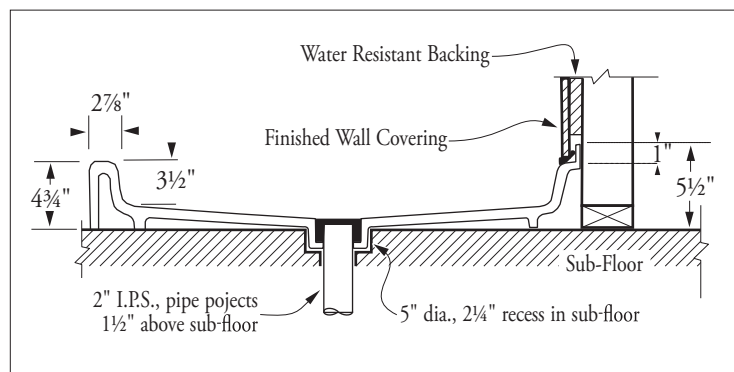
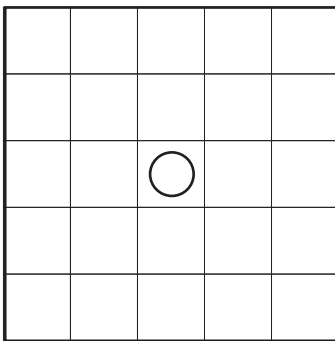


### Exclusive Wedge-Lok® Seal

Florestone Saflor Shower Receptors come with an integral drain molded into the receptor, eliminating the need for a separate drain. The exclusive seal is easily installed without special tools. No caulking, no mess, no places to leak. Drain will also accept conventional lead joint.

2" I.P.S. **Wedge-Lok®** Seal fits plastic and steel only. For copper waste, specify **Josam Jiffy-Joint™** or equal. For cast iron, **Josam Jiffy-Joint™** or equal may be required because of OD variance. Specify for copper or cast iron pipe.

Bottom



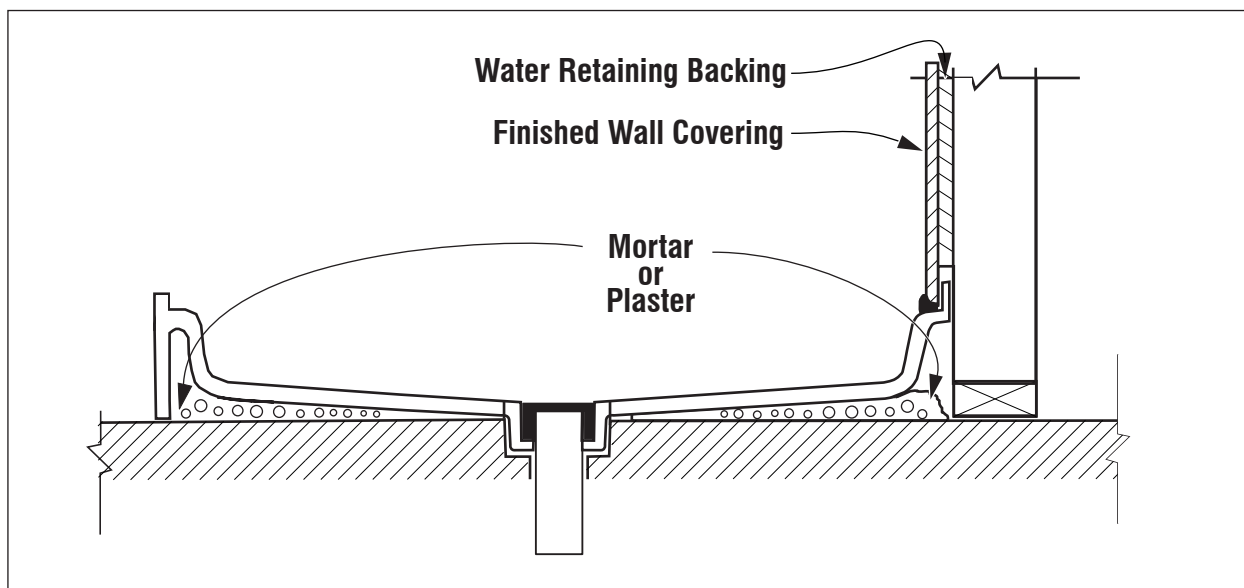
**FLORESTONE PRODUCTS CO., INC.**

2851 Falcon Drive • Madera, CA 93637

T. 559.661.4171 • T. 800.446.8827

F. 559.661.2070 • florestone.com

## Molded Fiberglass Shower Receptors Installation Instructions

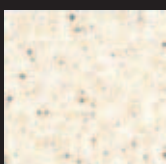


1. Examine sub-floor shower area for movement and/or squeaks. Fix any problems encountered.
2. 101 PNC drain requires minimum 5" diameter by 2¼" deep recess in sub-floor for adequate clearance.
3. Place receptor on a minimum ¼" bed of mortar or plaster for warranty compliance.
4. After attaching drain, use water and check for proper drainage before finishing walls.

### SPECIAL GRANITE COLORS:



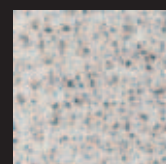
**Florestone  
Vanilla**



**Florestone  
Crushed Almond**



**Florestone  
Sandy Beach**



**Florestone  
Pewter**



**FLORESTONE PRODUCTS CO., INC.**

2851 Falcon Drive • Madera, CA 93637

T. 559.661.4171 • T. 800.446.8827

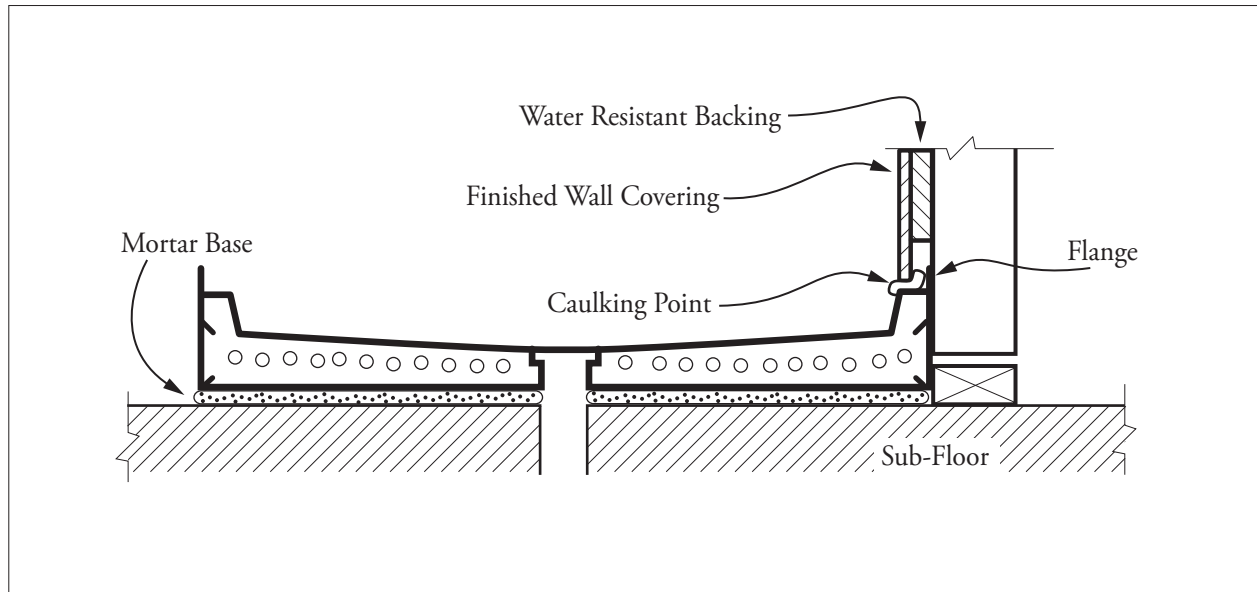
F. 559.661.2070 • florestone.com

**Dimensions subject to change without notice.**

**Contact Florestone Products to  
verify product specifications.**

**Dimensions may vary ± 1/4" inch.  
Please check unit before installation.**

## Florestone Terrazzo Shower Receptors Installation Instructions



1. Dimensions may vary slightly in terrazzo products. For rough-in, allow  $\frac{1}{4}$ " more in height and  $\frac{3}{8}$ " more in width than the dimensions shown on drawings.
2. Examine sub-floor shower area for Movement and/or squeaks. Fix any problems encountered.
3. Place receptor on a minimum  $\frac{1}{4}$ " bed of mortar or plaster for warranty compliance.
4. Level and plumb pan on sub-floor, front to back, right to left.
5. After attaching drain, use water and check for proper drainage before finishing walls.

### Note:

On the Model 400 and 500 Series, an exterior floor drain is recommended.

**Dimensions may vary  $\pm \frac{1}{4}$ " inch. Please check unit before installation.**



**FLORESTONE PRODUCTS CO., INC.**

2851 Falcon Drive • Madera, CA 93637

T. 559.661.4171 • T. 800.446.8827

F. 559.661.2070 • florestone.com