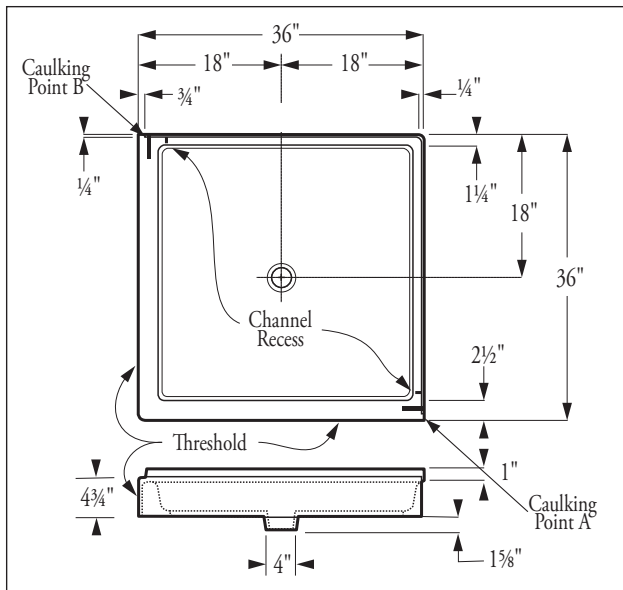




One piece, double threshold model for corner installation. Square 36" x 36" dimension allows either right-hand or left-hand corner installation.



Model	Weight
3636-2	53

**Dimensions subject to change without notice.**  
**Contact Florestone Products to verify product specifications.**

## Florestone Saflor® Model 3636-2 Corner Shower Receptors

### Architect's Specifications

Furnish and install 3636-2 Saflor® Shower Receptor manufactured by Florestone Products Co. The receptor shall have a slip-resistant design that does not interfere with the flow of water nor trap it. Receptor to have integral molded drain and square finished design to allow either right-hand or left-hand installation. Receptor to have not less than 1" flange on two sides and to be stain and fungus resistant. Color to be off-white (unless other specified) and will be resistant to fading and abrasion.

Model shall conform to ANSI-Z-124.2.

### SAFLOR® Options and Accessories

- Biscuit, Bone
- Josam Jiffy-Joint™
- Wedge-Lok® Seal
- Strainer, Brass
- Strainer, Chrome
- Strainer, Plastic
- Repair Kit

**Standards:**

- I.A.P.M.O. International Association of Plumbing and Mechanical Officials  
 File No. 0687.
- ANSI American National Standards Institute - Specifications Z-124.2.



**FLORESTONE PRODUCTS CO., INC.**

2851 Falcon Drive • Madera, CA 93637  
 T. 559.661.4171 • T. 800.446.8827  
 F. 559.661.2070 • florestone.com