



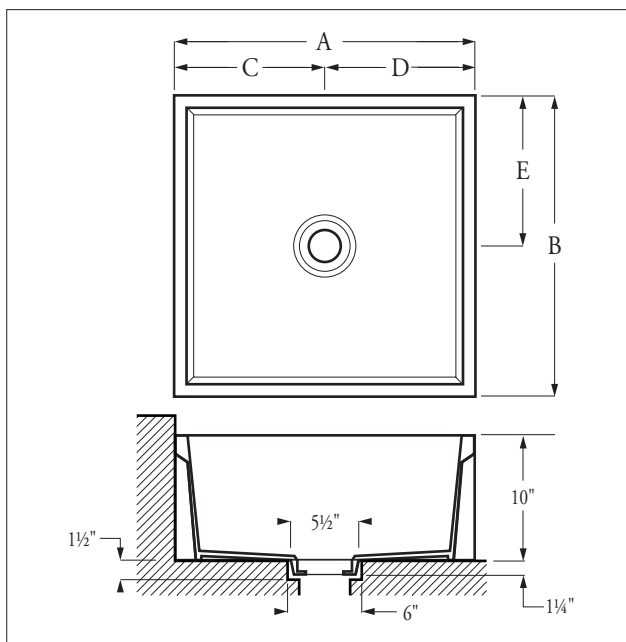
Molded one-piece construction for light weight and easy handling. Supplied with Wedge-Lok™ seal, integral drain and chrome strainer.

**Florestone
Models
MSR-2424/MSR-3624
Molded Mop Receptors**

**Architect's
Specifications**

Furnish and install molded Mop Receptor Model MSR-2424 / MSR-3624 (specify) as manufactured by Florestone Products Co. Molding will be done under heat and pressure using matched metal dies. The unit will be one piece with no seams. Shoulders will be no less than 1" wide and 9½" inside. Receptor will have ribbed underbody and integral drain providing for a no-caulked connection to a 2" or 3" ABS pipe (specify drain size). Drain grid will be 18-gauge stainless steel, flat type, #430.

Molded mop sinks are supplied with Wedge-Lok® seal for use on ABS pipe only.



Model	A	B	C	D	E	WT.
MSR-2424	24"	24"	12"	12"	12"	50
MSR-3624	36"	24"	18"	18"	12"	72

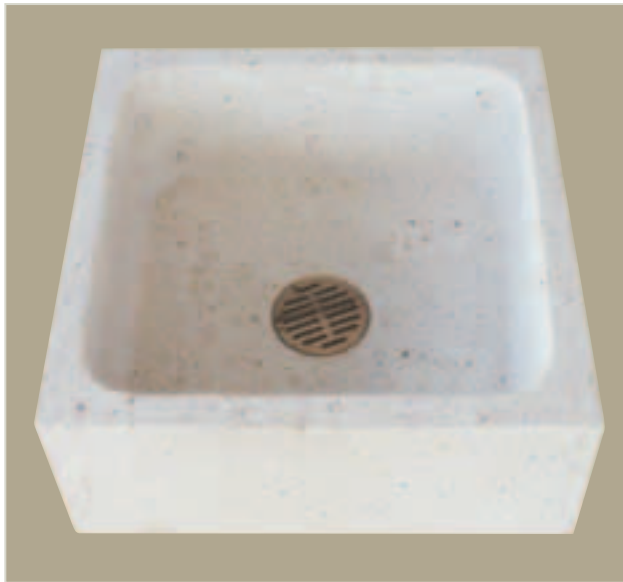
Standards:

- I.A.P.M.O. International Association of Plumbing and Mechanical Officials File No. 2646.
- ANSI American National Standards Institute - Specifications Z-124.6.
- HUD/FHA National Specifications UN-73.
- CSA TEST Warnock Hersey Listed: CAN / CSA - B45.0 - CAN / CSA - B45.5

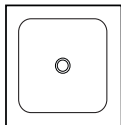


FLORESTONE PRODUCTS CO., INC.

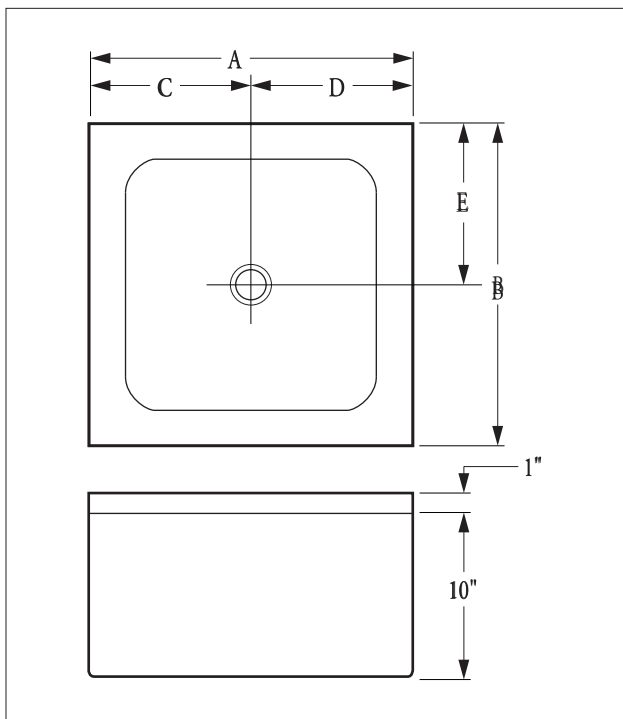
2851 Falcon Drive • Madera, CA 93637
 T. 559.661.4171 • T. 800.446.8827
 F. 559.661.2070 • florestone.com



Shown: Model 5



Island



A	B	HT.	C	D	E	WT.
24"	24"	10"	12"	12"	12	221

**Dimensions may vary ± 1/4" inch.
Please check unit before installation.**

Florestone Model 5 Terrazzo Mop Receptor

Architect's Specifications

Furnish and install mop receptor as manufactured by Florestone Products Co. Shoulder shall be not less than 8" high inside and not less than 11" wide.

Drain body shall be brass, cast integral and shall provide for a non-caulked connection (lead caulked optional) not less than one inch deep to a two or three inch pipe (specify 2" or 3"). Mop sinks with 3" drains are supplied with a Wedge-Lok® seal for use on ABS pipe only. Receptor shall be manufactured of tan and white marble chips cast in white portland cement to produce a compressive strength of not less than 3000 PSI, seven days after casting. Terrazzo surface shall be ground and polished with all air holes and/or pits to be grouted and excess removed and sealed to resist stains and moisture. Receptor will be reinforced with 16 gauge wire. Stainless steel grid standard.

Note:
Specify 2" or 3" drain size (3" standard).



FLORESTONE PRODUCTS CO., INC.

2851 Falcon Drive • Madera, CA 93637

T. 559.661.4171 • T. 800.446.8827

F. 559.661.2070 • florestone.com

**Florestone
Models 10 / 20 / 30 / 40
Terrazzo Mop Receptors**

**Architect's
Specifications**

Furnish and install mop receptor as manufactured by Florestone Products Co. Shoulder shall be not less than 4" high inside and not less than 1 3/4" wide.

(For high wall model specify: "Not less than 9" high inside and not less than 1 3/4" wide"). Galvanized, bonderized steel flange will be cast integral and extend at least one inch above shoulder on one, two or three sides for installation against stud wall (specify choice). Drain body shall be brass, cast integral and shall provide for a non-caulked connection (lead caulked optional) not less than one inch deep to a two or three inch pipe (specify 2" or 3"). Mop sinks with 3" drains are supplied with a Wedge-Lok® seal for use on ABS pipe only. Receptor shall be manufactured of tan and white marble chips cast in white portland cement to produce a compressive strength of not less than 3000 PSI, seven days after casting. Terrazzo surface shall be ground and polished with all air holes and/or pits to be grouted and excess removed and sealed to resist stains and moisture. Receptor will be reinforced with 16 gauge wire.

Note:

- Specify 6" or 12" height.
- Specify 2" or 3" drain size (3" standard).
- Specify Model Number and size.
- Specify Right Hand or Left Hand where applicable.



FLORESTONE PRODUCTS CO., INC.

2851 Falcon Drive • Madera, CA 93637

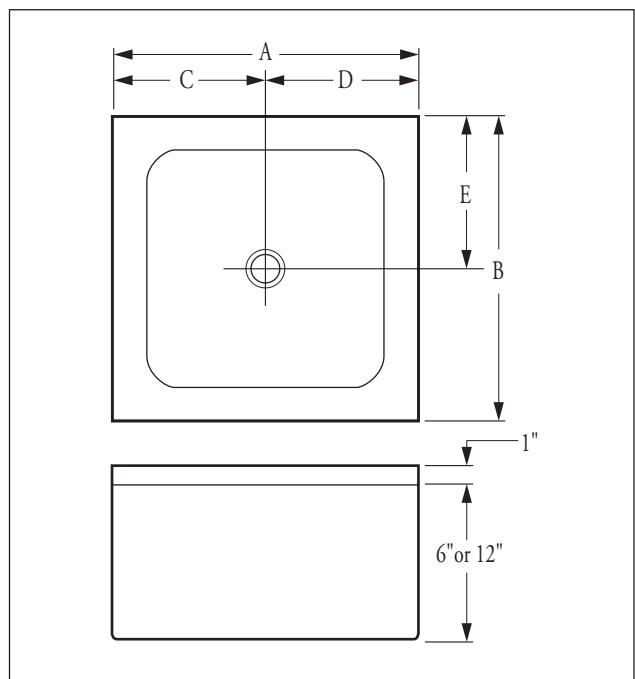
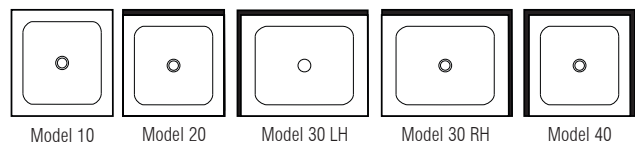
T. 559.661.4171 • T. 800.446.8827

F. 559.661.2070 • florestone.com



Shown: Model 40

Flanges:



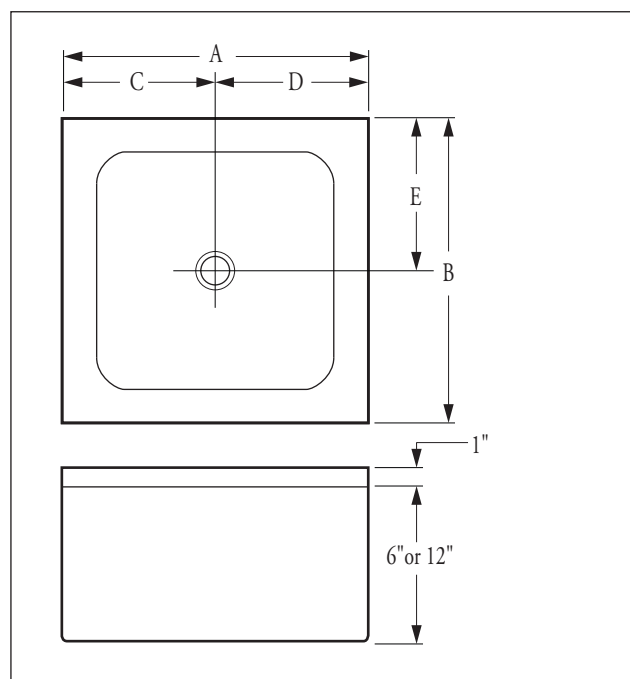
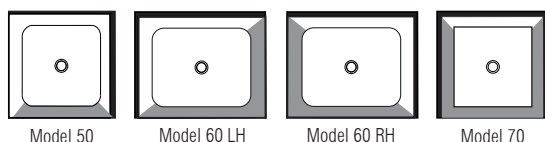
Dimensions may vary ± 1/4". Please check unit before installation.

A	B	HT.	C	D	E	WT.
24"	24"	6"	12"	12"	12"	225
32"	32"	6"	16"	16"	16"	320
36"	24"	6"	18"	18"	12"	295
36"	36"	6"	18"	18"	18"	385
24"	24"	12"	12"	12"	12"	355
32"	32"	12"	16"	16"	16"	488
36"	24"	12"	18"	18"	12"	430
36"	36"	12"	18"	18"	18"	525



Shown: Model 50

Flanges:  Stainless Steel Caps: 



Dimensions may vary $\pm 1/4$ ". Please check unit before installation.

A	B	HT.	C	D	E	WT.
24"	24"	6"	12"	12"	12"	225
32"	32"	6"	16"	16"	16"	320
36"	24"	6"	18"	18"	12"	295
36"	36"	6"	18"	18"	18"	385
24"	24"	12"	12"	12"	12"	355
32"	32"	12"	16"	16"	16"	488
36"	24"	12"	18"	18"	12"	430
36"	36"	12"	18"	18"	18"	525

Florestone Models 50 / 60 / 70 Terrazzo Mop Receptors

Architect's Specifications

Furnish and install mop receptor as manufactured by Florestone Products Co. Shoulder shall be not less than 4" high inside and not less than 1 $\frac{3}{4}$ " wide. (For high wall model specify: "Not less then 9" high inside and not less than 1 $\frac{3}{4}$ " wide"). Galvanized, bonderized steel flange will be cast integral and extend at least one inch above shoulder on one, two or three sides for installation against stud wall (specify choice). Stainless steel protective cap to be cast integral on exposed side(s) (as specified). Drain body shall be brass, cast integral and shall provide for a non-caulked connection (lead caulked optional) not less than one inch deep to a two or three inch pipe (specify 2" or 3"). Mop sinks with 3" drains are supplied with a Wedge-Lok[®] seal for use on ABS pipe only. Receptor shall be manufactured of tan and white marble chips cast in white portland cement to produce a compressive strength of not less than 3000 PSI, seven days after casting. Terrazzo surface shall be ground and polished with all air holes and/or pits to be grouted and excess removed and sealed to resist stains and moisture. Receptor will be reinforced with 16 gauge wire.

Note:

- Specify 6" or 12" height.
- Specify 2" or 3" drain size (3" standard).
- Specify Model Number and size.
- Specify Right Hand or Left Hand where applicable.



FLORESTONE PRODUCTS CO., INC.

2851 Falcon Drive • Madera, CA 93637
T. 559.661.4171 • T. 800.446.8827
F. 559.661.2070 • florestone.com

**Florestone
Models 80 / 81 / 82 / 83
Terrazzo Mop Receptors**

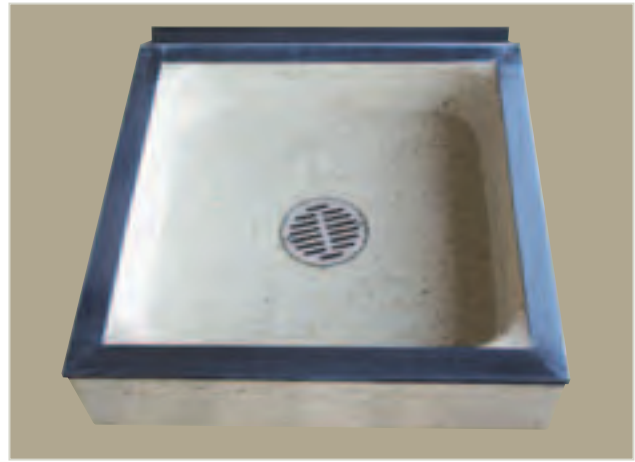
**Architect's
Specifications**

Furnish and install mop receptor as manufactured by Florestone Products Co. Shoulder shall be not less than 4" high inside and not less than 1 3/4" wide. (For high wall model specify: "Not less than 9" high inside and not less than 1 3/4" wide"). Galvanized, bonderized steel flange will be cast integral and extend at least one inch above shoulder on one, two or three sides for installation against stud wall (specify choice). Stainless steel protective cap to be cast integral on all four exposed sides. Drain body shall be brass, cast integral and shall provide for a non-caulked connection (lead caulked optional) not less than one inch deep to a two or three inch pipe (specify 2" or 3"). Mop sinks with 3" drains are supplied with a Wedge-Lok® seal for use on ABS pipe only. Receptor shall be manufactured of tan and white marble chips cast in white portland cement to produce a compressive strength of not less than 3000 PSI, seven days after casting. Terrazzo surface shall be ground and polished with all air holes and/or pits to be grouted and excess removed and sealed to resist stains and moisture. Receptor will be reinforced with 16 gauge wire.

Note:
Specify 6" or 12" height.
Specify 2" or 3" drain size (3" standard).
Specify Model Number and size.
Specify Right Hand or Left Hand where applicable.

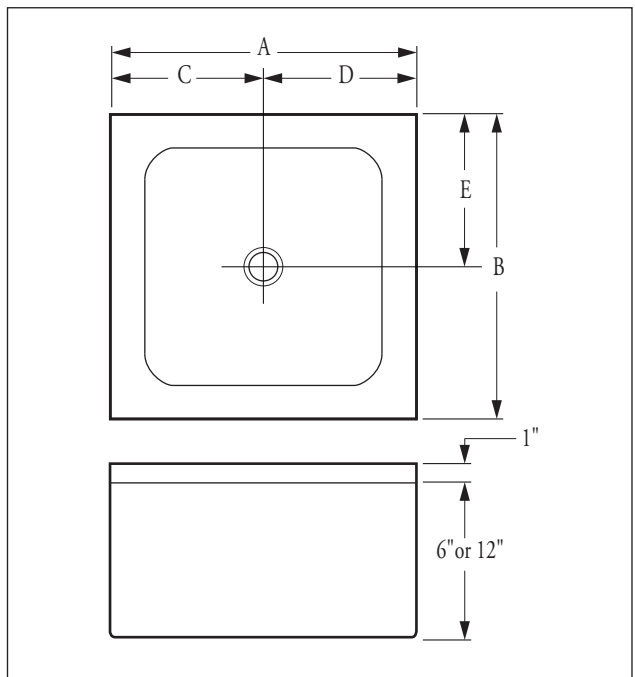
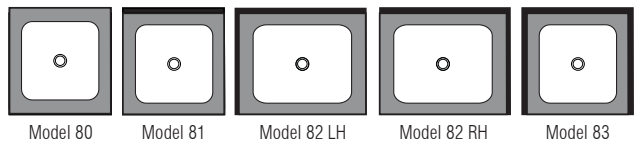


FLORESTONE PRODUCTS CO., INC.
2851 Falcon Drive • Madera, CA 93637
T. 559.661.4171 • T. 800.446.8827
F. 559.661.2070 • florestone.com



Shown: Model 81

Flanges: Stainless Steel Caps:



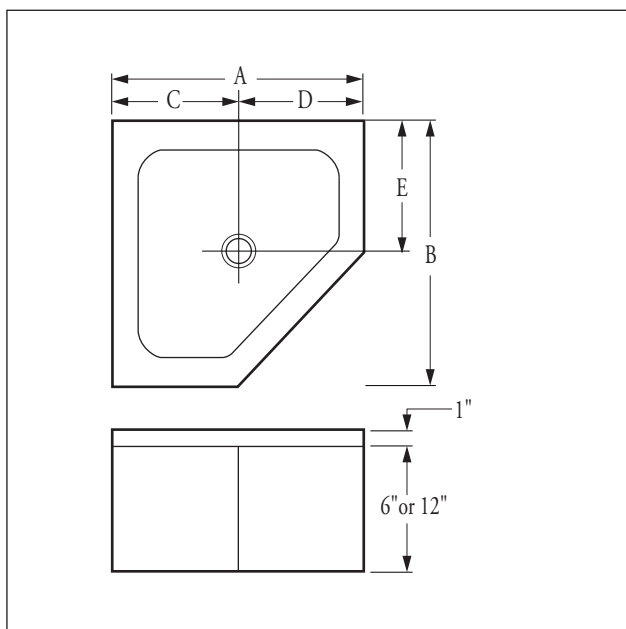
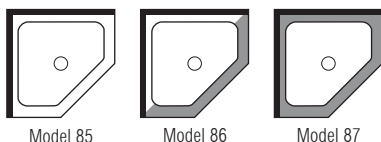
Dimensions may vary ± 1/4". Please check unit before installation.

A	B	HT.	C	D	E	WT.
24"	24"	6"	12"	12"	12"	225
32"	32"	6"	16"	16"	16"	320
36"	24"	6"	18"	18"	12"	295
36"	36"	6"	18"	18"	18"	385
24"	24"	12"	12"	12"	12"	355
32"	32"	12"	16"	16"	16"	488
36"	24"	12"	18"	18"	12"	430
36"	36"	12"	18"	18"	18"	525



Shown: Model 87

Flanges:  Stainless Steel Caps: 



Dimensions may vary $\pm 1/4$ ". Please check unit before installation.

Model	A	B	C	D	E	WT.
85	24"	24"	12"	12"	12"	335
85	32"	32"	16"	16"	16"	410
85	36"	36"	18"	18"	18"	490
86	24"	24"	12"	12"	12"	335
86	32"	32"	16"	16"	16"	410
86	36"	36"	18"	18"	18"	490
87	24"	24"	12"	12"	12"	335
87	32"	32"	16"	16"	16"	410
87	36"	36"	18"	18"	18"	490

Florestone Models 85 / 86 / 87 NEO ANGLE Terrazzo Mop Receptors

Architect's Specifications

Furnish and install mop receptor as manufactured by Florestone Products Co. Shoulder shall be not less than 4" high inside and not less than 1 $\frac{3}{4}$ " wide. (For high wall model specify: "Not less then 9" high inside and not less than 1 $\frac{3}{4}$ " wide"). Galvanized, bonderized steel flange will be cast integral and extend at least one inch above shoulder on one, two or three sides for installation against stud wall (specify choice). Stainless steel protective cap to be cast integral on all four exposed sides. Drain body shall be brass, cast integral and shall provide for a non-caulked connection (lead caulked optional) not less than one inch deep to a two or three inch pipe (specify 2" or 3"). Mop sinks with 3" drains are supplied with a Wedge-Lok[®] seal for use on ABS pipe only. Receptor shall be manufactured of tan and white marble chips cast in white portland cement to produce a compressive strength of not less than 3000 PSI, seven days after casting. Terrazzo surface shall be ground and polished with all air holes and/or pits to be grouted and excess removed and sealed to resist stains and moisture. Receptor will be reinforced with 16 gauge wire.

Note:

Specify 2" or 3" drain size (3" standard).
Specify Model Number and size.



FLORESTONE PRODUCTS CO., INC.

2851 Falcon Drive • Madera, CA 93637

T. 559.661.4171 • T. 800.446.8827

F. 559.661.2070 • florestone.com

**Floestone
Models 90 / 91 / 92
Drop Front**

**Architect's
Specifications**

Furnish and install square drop front mop receptor as manufactured by Floestone Products Co. Shoulder shall be not less than 4" high inside and not less than 1 3/4" wide. Galvanized, bonderized steel flange will be cast integral and extend at least one inch above shoulder on one side for installation against stud wall. Stainless steel protective cap to be cast integral on drop side (Model 91 and 92 only). Drain body shall be brass, cast integral and shall provide for a non-caulked connection (lead caulked optional) not less than one inch deep to a two or three inch pipe (specify 2" or 3"). Mop sinks with 3" drains are supplied with a Wedge-Lok® seal for use on ABS pipe only. Receptor shall be manufactured of tan and white marble chips cast in white portland cement to produce a compressive strength of not less than 3000 PSI, seven days after casting. Terrazzo surface shall be ground and polished with all air holes and/or pits to be grouted and excess removed and sealed to resist stains and moisture. Receptor will be reinforced with 16 gauge wire.

Note:

Specify 2" or 3" drain size (3" standard).
Specify Model Number and size.



FLORESTONE PRODUCTS CO., INC.

2851 Falcon Drive • Madera, CA 93637

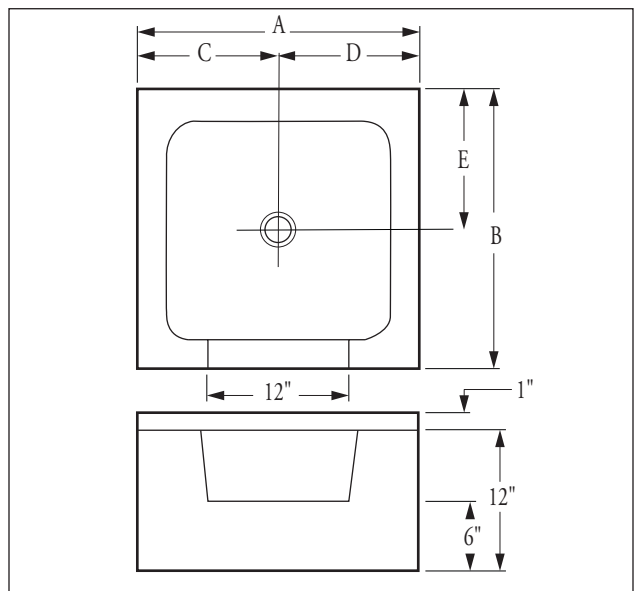
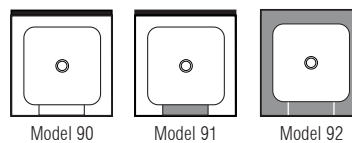
T. 559.661.4171 • T. 800.446.8827

F. 559.661.2070 • floestone.com



Shown: Model 90

Flanges: Stainless Steel Caps:



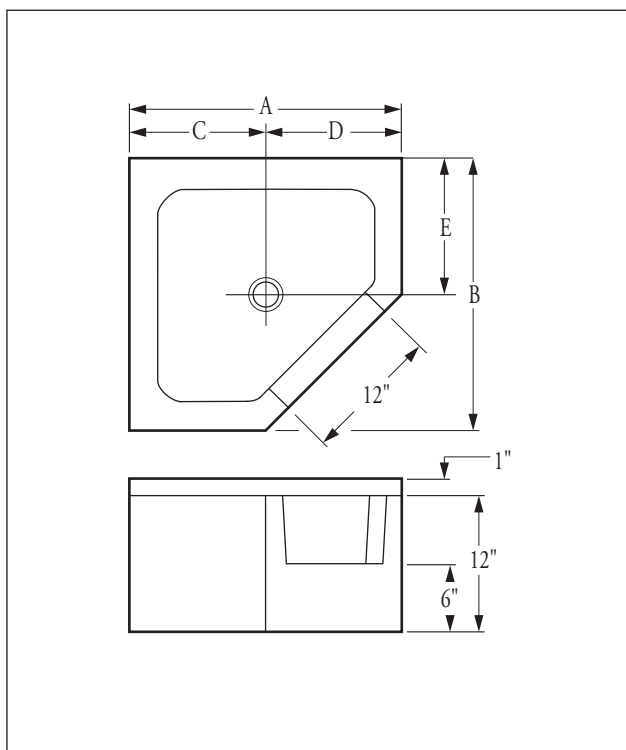
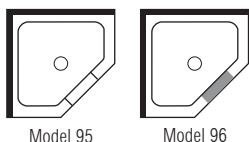
Dimensions may vary ± 1/4". Please check unit before installation.

Model	A	B	C	D	E	WT.
90	24"	24"	12"	12"	12"	310
90	32"	32"	16"	16"	16"	420
90	36"	24"	18"	18"	12"	400
90	36"	36"	18"	18"	18"	475
91	24"	24"	12"	12"	12"	310
91	32"	32"	16"	16"	16"	420
91	36"	24"	18"	18"	12"	400
91	36"	36"	18"	18"	18"	475
92	24"	24"	12"	12"	12"	310
92	32"	32"	12"	16"	16"	385
92	36"	24"	18"	18"	12"	400
92	36"	36"	18"	18"	18"	465



Shown: Model 95

Flanges:  Stainless Steel Caps: 



Dimensions may vary $\pm 1/4$ ". Please check unit before installation.

Model	A	B	C	D	E	WT.
95	24"	24"	12"	12"	12"	310
95	32"	32"	16"	16"	16"	385
95	36"	36"	18"	18"	18"	465
96	24"	24"	12"	12"	12"	310
96	32"	32"	16"	16"	16"	385
96	36"	36"	18"	18"	18"	465

Florestone Models 95 / 96 NEO ANGLE Drop Front Terrazzo Mop Receptors

Architect's Specifications

Furnish and install neo angle drop front mop receptor as manufactured by Florestone Products Co. Shoulder shall be not less than 4" high inside and not less than 1 $\frac{3}{4}$ " wide. Galvanized, bonderized steel flange will be cast integral and extend at least one inch above shoulder on two sides for corner installation against stud wall. Stainless steel protective cap to be cast integral on drop front (Model 96 only). Drain body shall be brass, cast integral and shall provide for a non-caulked connection (lead caulked optional) not less than one inch deep to a two or three inch pipe (specify 2" or 3"). Mop sinks with 3" drains are supplied with a Wedge-Lok[®] seal for use on ABS pipe only. Receptor shall be manufactured of tan and white marble chips cast in white portland cement to produce a compressive strength of not less than 3000 PSI, seven days after casting. Terrazzo surface shall be ground and polished with all air holes and/or pits to be grouted and excess removed and sealed to resist stains and moisture. Receptor will be reinforced with 16 gauge wire.

Note:

Specify 2" or 3" drain size (3" standard).
Specify Model Number and size.



FLORESTONE PRODUCTS CO., INC.

2851 Falcon Drive • Madera, CA 93637

T. 559.661.4171 • T. 800.446.8827

F. 559.661.2070 • florestone.com

**Florestone
Models 97 Half Round
Terrazzo Mop Receptors**

**Architect's
Specifications**

Furnish and install half round mop receptor as manufactured by Florestone Products Co. Shoulder shall be not less than 9" high inside and not less than 1 3/4" wide. Galvanized, bonderized steel flange will be cast integral and extend at least one inch above shoulder on two sides for corner installation against stud wall. Drain body shall be brass, cast integral and shall provide for a non-caulked connection (lead caulked optional) not less than one inch deep to a two or three inch pipe (specify 2" or 3"). Mop sinks with 3" drains are supplied with a Wedge-Lok® seal for use on ABS pipe only. Receptor shall be manufactured of tan and white marble chips cast in white portland cement to produce a compressive strength of not less than 3000 PSI, seven days after casting. Terrazzo surface shall be ground and polished with all air holes and/or pits to be grouted and excess removed and sealed to resist stains and moisture. Receptor will be reinforced with 16 gauge wire.

Note:

Specify 2" or 3" drain size (3" standard).



FLORESTONE PRODUCTS CO., INC.

2851 Falcon Drive • Madera, CA 93637

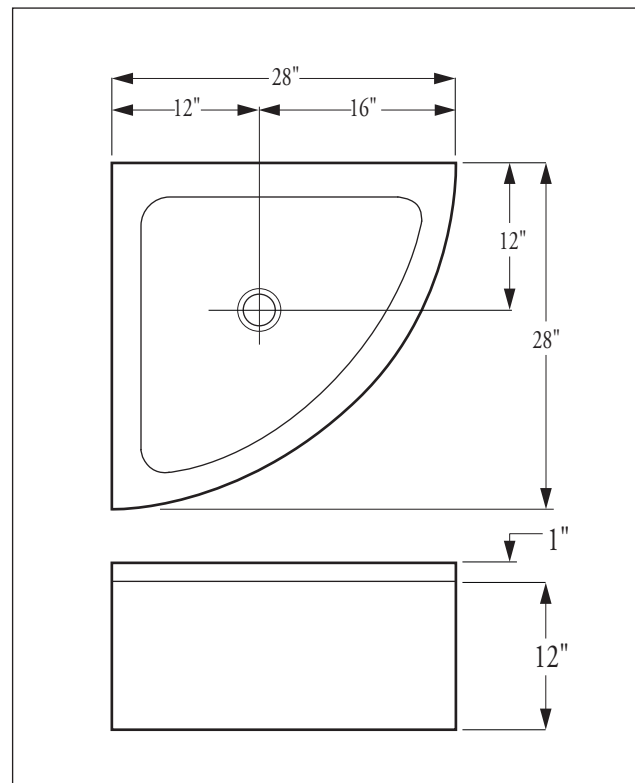
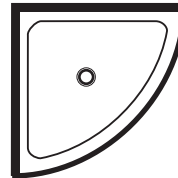
T. 559.661.4171 • T. 800.446.8827

F. 559.661.2070 • florestone.com

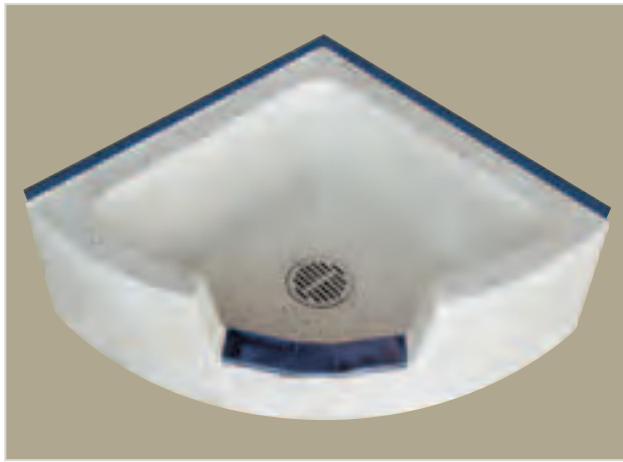


Shown: Model 97

Flanges: 

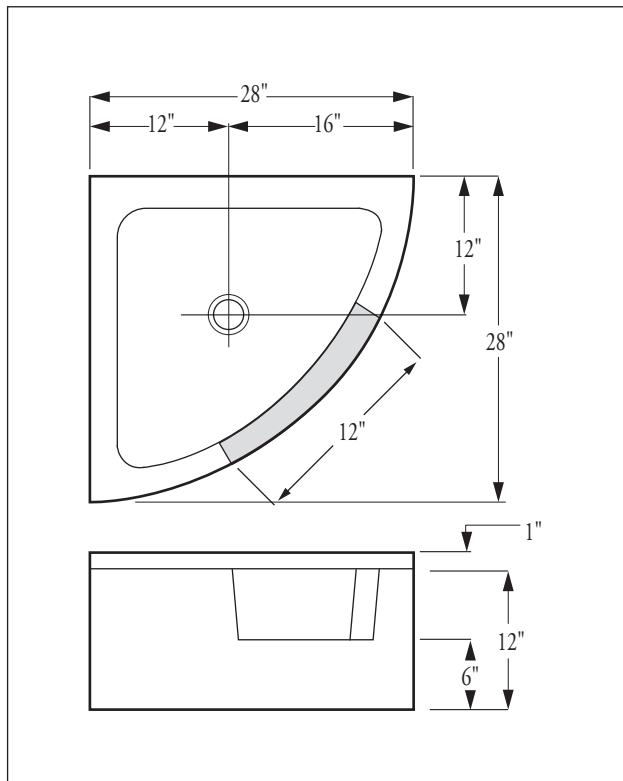
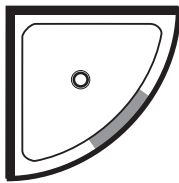


**Dimensions may vary ± 1/4 inch.
Please check unit before installation.**



Shown: Model 99

Flanges:  Stainless Steel Caps: 



Weight: 310 lbs.

**Dimensions may vary \pm 1/4 inch.
Please check unit before installation.**

Florestone Model 99 Half Round Drop Front Terrazzo Mop Receptors

Architect's Specifications

Furnish and install half round drop front mop receptor as manufactured by Florestone Products Co. Shoulder shall be not less than 4" high inside and not less than 1 $\frac{3}{4}$ " wide. Galvanized, bonderized steel flange will be cast integral and extend at least one inch above shoulder on two sides for corner installation against stud wall. Stainless steel protective cap to be cast integral on drop front. Drain body shall be brass, cast integral and shall provide for a non-caulked connection (lead caulked optional) not less than one inch deep to a two or three inch pipe (specify 2" or 3"). Mop sinks with 3" drains are supplied with a Wedge-Lok[®] seal for use on ABS pipe only. Receptor shall be manufactured of tan and white marble chips cast in white portland cement to produce a compressive strength of not less than 3000 PSI, seven days after casting. Terrazzo surface shall be ground and polished with all air holes and/or pits to be grouted and excess removed and sealed to resist stains and moisture. Receptor will be reinforced with 16 gauge wire.

Note:

Specify 2" or 3" drain size (3" standard).



FLORESTONE PRODUCTS CO., INC.

2851 Falcon Drive • Madera, CA 93637

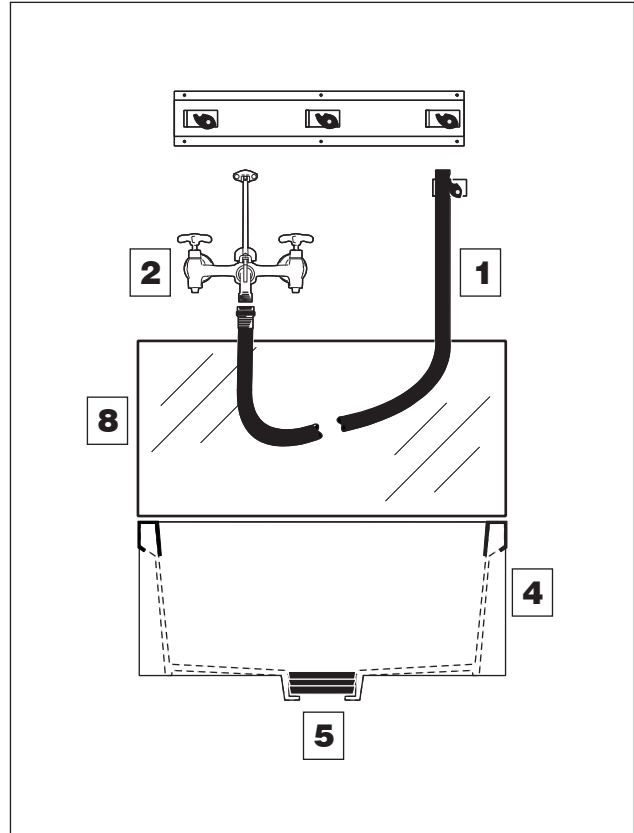
T. 559.661.4171 • T. 800.446.8827

F. 559.661.2070 • florestone.com

**Florestone
Molded and Terrazzo
Mop Receptors
Accessories**

**Architect's
Specifications**

- (1) **MR-370** 5/8" Hose, 5' long with clamp.
- (2) **MR-371** Speakman® Faucet with vacuum braker, double stops and bucket hook with brace. U.S. made.
- (3) **MR-372** Mop hanger with 3 clamps.
- (4) **MR-373** Stainless Steel rim guard, #304, 20 gauge, 24" or 36".
*Specify length and one (1), two (2), three (3) or four (4) each.
(available on Molded Mop Sinks only)*
- (5) **MR-374** Wedge-Lok® Seal, *specify 2" or 3".
(available on Molded Mop Sinks only)*
- (6) **MR-375** Flat strainer, chrome.
(available on Molded Mop Sinks only)
- (7) **MR-376** Dome strainer, chrome.
(available on Molded Mop Sinks only)
- (8) **MR-377** Two (2) each 24" panels or
Two (2) each 32" panels or
One (1) 24" panel and
One (1) 36" panel.



Speakman® is a Registered Trademark of Speakman Co.



FLORESTONE PRODUCTS CO., INC.

2851 Falcon Drive • Madera, CA 93637
 T. 559.661.4171 • T. 800.446.8827
 F. 559.661.2070 • florestone.com