

**Dimensions may vary  $\pm$  1/4" inch.  
Please check unit before installation.**

**Place bath in a bed of mortar or plaster  
for warranty compliance.**

Bathing Area 51" x 32" x 11 3/4"

### Standards

I.A.P.M.O. Listed File 1595

ANSI-Z-124.1

ASTM-84 Test Method



## Florestone 6044 Merida Fiberglass Custom Bath

59 3/4" X 43 1/4" X 16"

Weight: 100 lbs.

Capacity 35 gallons

### Architect's Specifications

Furnish and install bath unit Model 6044 as manufactured by Florestone Products Co. Unit to be manufactured of gel-coated fiberglass meeting Class C Flame Retardance. Unit to be supplied with laminated floor for extra rigidity.

### Fiberglass Colors

Standard color: White

For availability of special order colors, see Colors and Options.

 **FLORESTONE**  
*A Spec Above.™*

**FLORESTONE PRODUCTS CO., INC.**

2851 Falcon Drive • Madera, CA 93637

T. 559.661.4171 • T. 800.446.8827

F. 559.661.2070 • florestone.com

**Florestone  
7244 Merida  
Fiberglass Custom Bath**

72" x 43½" x 16½"

Weight: 128 lbs.

Capacity: 45 gallons

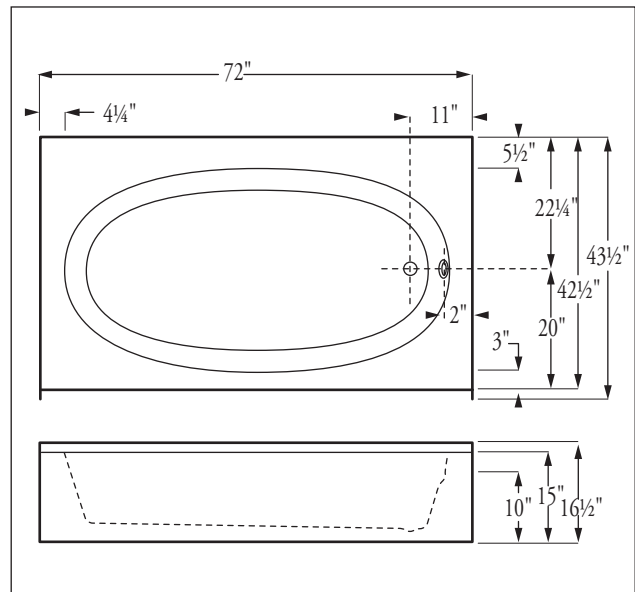
**Architect's  
Specifications**

Furnish and install bath unit Model 7244 as manufactured by Florestone Products Co. Unit to be manufactured of gel-coated fiberglass meeting Class C Flame Retardance. Unit to be supplied with laminated floor for extra rigidity.

Standard color: White.

**Optional Colors**

Colors matching most major manufacturers' colors are available.



**Dimensions may vary ± ¼" inch.  
Please check unit before installation.**

**Place bath in a bed of mortar or plaster  
for warranty compliance.**

Bathing Area 63" x 33½" x 10"



**FLORESTONE PRODUCTS CO., INC.**

2851 Falcon Drive • Madera, CA 93637

T. 559.661.4171 • T. 800.446.8827

F. 559.661.2070 • florestone.com

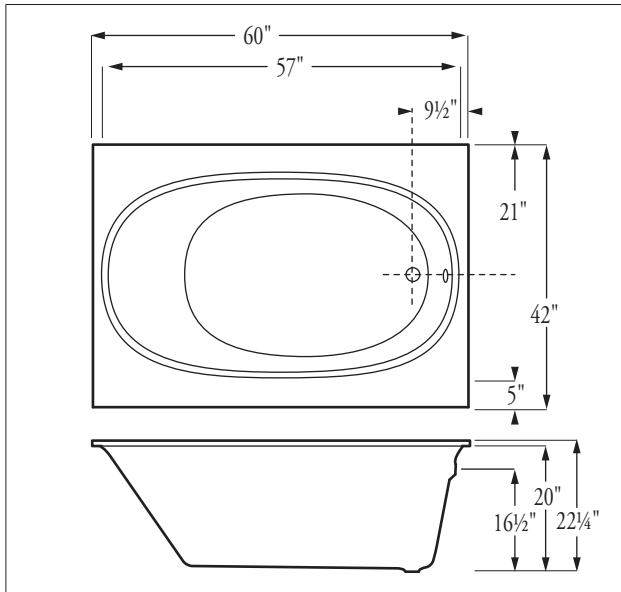
**Standards**

I.A.P.M.O. Listed File 1595

ANSI-Z-124.1

ASTM-84 Test Method





**Dimensions may vary  $\pm$  1/4" inch.  
Please check unit before installation.**

**Place bath in a bed of mortar or plaster  
for warranty compliance.**

Bathing Area 55 $\frac{3}{4}$ " x 30 $\frac{3}{4}$ " x 16 $\frac{1}{2}$ "

### Standards

I.A.P.M.O. Listed File 1595

ANSI-Z-124.1

ASTM-84 Test Method



## Florestone Model 4220 Reyna Island Fiberglass Custom Bath

60" x 42" x 22 $\frac{1}{4}$ "

Weight: 94 lbs.

Capacity: 55 gallons

### Architect's Specifications

Furnish and install bath unit Model 4220 as manufactured by Florestone Products Co. Unit to be manufactured of gel-coated fiberglass meeting Class C Flame Retardance. Unit to be supplied with laminated floor for extra rigidity.

### Fiberglass Colors

Standard color: White

For availability of special order colors,  
see Colors and Options.



### FLORESTONE PRODUCTS CO., INC.

2851 Falcon Drive • Madera, CA 93637

T. 559.661.4171 • T. 800.446.8827

F. 559.661.2070 • florestone.com

**Florestone  
Model 7242  
Reyna Island  
Fiberglass Custom Bath**

72" x 42" x 21"  
Weight: 116 lbs.  
Capacity: 65 gallons

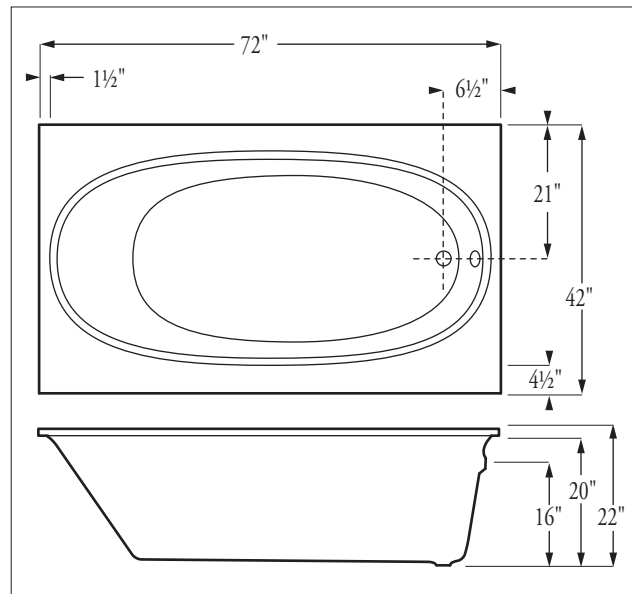
**Architect's  
Specifications**

Furnish and install bath unit Model 7242 as manufactured by Florestone Products Co. Unit to be manufactured of gel-coated fiberglass meeting Class C Flame Retardance. Unit to be supplied with laminated floor for extra rigidity.

**Fiberglass Colors**

Standard color: White

For availability of special order colors, see Colors and Options.



**Dimensions may vary  $\pm$  1/4" inch.  
Please check unit before installation.**

**Place bath in a bed of mortar or plaster  
for warranty compliance.**

Bathing Area 65" x 31" x 16"



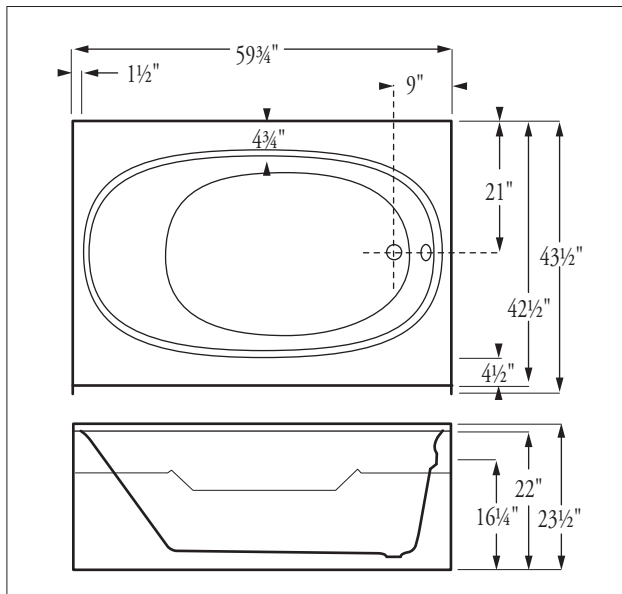
**FLORESTONE PRODUCTS CO., INC.**

2851 Falcon Drive • Madera, CA 93637  
T. 559.661.4171 • T. 800.446.8827  
F. 559.661.2070 • florestone.com

**Standards**

I.A.P.M.O. Listed File 1595  
ANSI-Z-124.1  
ASTM-84 Test Method





**Dimensions may vary  $\pm$  1/4" inch.  
Please check unit before installation.**

**Place bath in a bed of mortar or plaster  
for warranty compliance.**

Bathing Area 55" x 31" x 16 1/4"

## **Florestone Model 4220 Reyna Full Apron Fiberglass Custom Bath**

59 3/4" x 43 1/2" x 23 1/2"

Weight: 100 lbs.

Capacity: 55 gallons

### **Architect's Specifications**

Furnish and install bath unit Model 4220 as manufactured by Florestone Products Co. Unit to be manufactured of gel-coated fiberglass meeting Class C Flame Retardance. Unit to be supplied with laminated floor for extra rigidity.

Specify RH or LH drain.

### **Fiberglass Colors**

Standard color: White

For availability of special order colors,  
see Colors and Options.

### **Standards**

I.A.P.M.O. Listed File 1595

ANSI-Z-124.1

ASTM-84 Test Method



 **FLORESTONE**  
*A Spec Above.™*

**FLORESTONE PRODUCTS CO., INC.**

2851 Falcon Drive • Madera, CA 93637

T. 559.661.4171 • T. 800.446.8827

F. 559.661.2070 • florestone.com

**Florestone  
Model 7242  
Reyna Full Apron  
Fiberglass Custom Bath**

72" x 43½" x 23¼"

Weight: 132 lbs.

Capacity: 70 gallons

**Architect's  
Specifications**

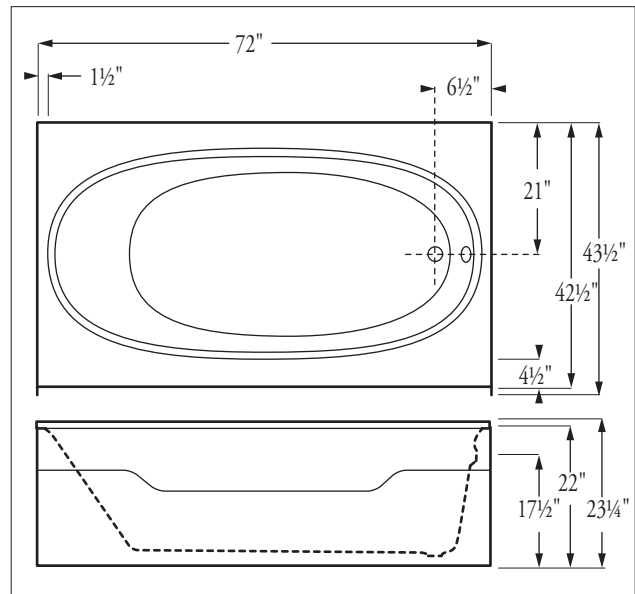
Furnish and install bath unit Model 7242 as manufactured by Florestone Products Co. Unit to be manufactured of gel-coated fiberglass meeting Class C Flame Retardance. Unit to be supplied with laminated floor for extra rigidity.

Specify RH or LH drain.

**Fiberglass Colors**

Standard color: White

For availability of special order colors, see Colors and Options.



**Dimensions may vary  $\pm$  ¼" inch.  
Please check unit before installation.**

**Place bath in a bed of mortar or plaster  
for warranty compliance.**

Bathing Area 65" x 31" x 17½"



**FLORESTONE PRODUCTS CO., INC.**

2851 Falcon Drive • Madera, CA 93637

T. 559.661.4171 • T. 800.446.8827

F. 559.661.2070 • florestone.com

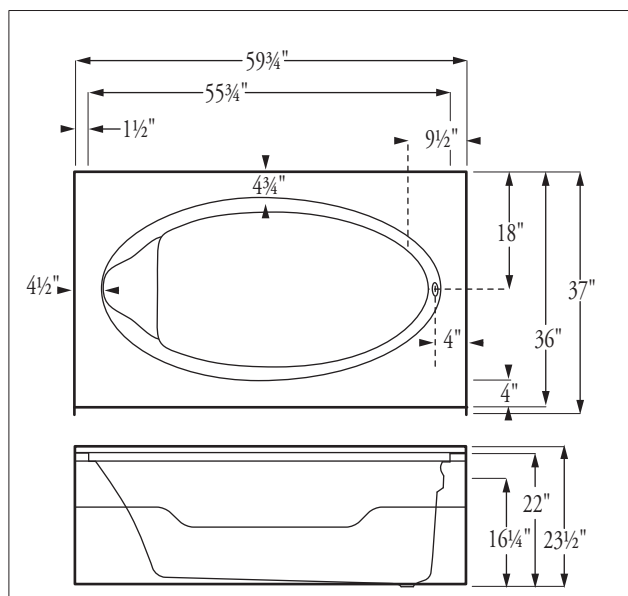
**Standards**

I.A.P.M.O. Listed File 1595

ANSI-Z-124.1

ASTM-84 Test Method





**Dimensions may vary  $\pm$  1/4" inch.  
Please check unit before installation.**

**Place bath in a bed of mortar or plaster  
for warranty compliance.**

Bathing Area 51" x 27" x 14"

## Florestone Model 6036 Diana Fiberglass Custom Bath

59 $\frac{3}{4}$ " x 37" x 22 $\frac{1}{4}$ "

Weight: Full Apron: 108 lbs.

Capacity: 50 gallons

### Architect's Specifications

Furnish and install bath unit Model 6036 as manufactured by Florestone Products Co. Unit to be manufactured of gel-coated fiberglass meeting Class C Flame Retardance. Unit to be supplied with laminated floor for extra rigidity.

Specify RH or LH drain.

### Fiberglass Colors

Standard color: White

For availability of special order colors,  
see Colors and Options.

### Standards

I.A.P.M.O. Listed File 1595

ANSI-Z-124.1

ASTM-84 Test Method



 **FLORESTONE**  
*A Spec Above.™*

**FLORESTONE PRODUCTS CO., INC.**

2851 Falcon Drive • Madera, CA 93637

T. 559.661.4171 • T. 800.446.8827

F. 559.661.2070 • florestone.com

**Florestone  
Model 6636  
Diana  
Fiberglass Custom Bath**

65 $\frac{3}{4}$ " x 37" x 22 $\frac{3}{4}$ "

Weight: Full Apron: 118 lbs.

Capacity: 55 gallons

**Architect's  
Specifications**

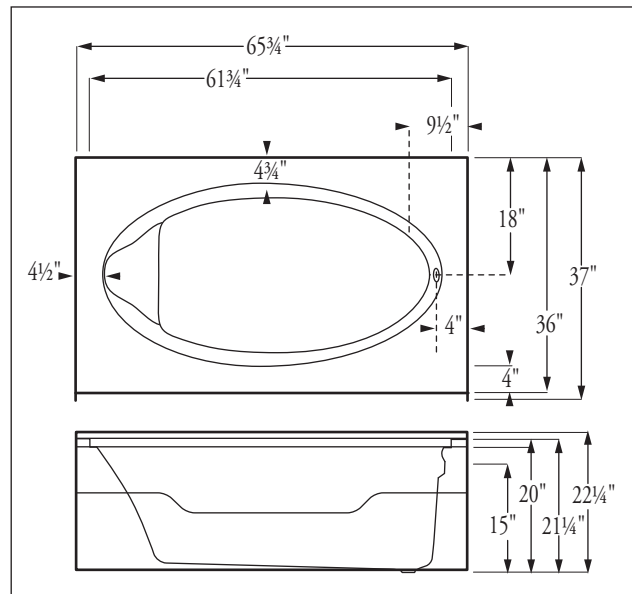
Furnish and install bath unit Model 6636 as manufactured by Florestone Products Co. Unit to be manufactured of gel-coated fiberglass meeting Class C Flame Retardance. Unit to be supplied with laminated floor for extra rigidity.

Specify RH or LH drain.

**Fiberglass Colors**

Standard color: White

For availability of special order colors, see Colors and Options.



**Dimensions may vary  $\pm$   $\frac{1}{4}$ " inch.  
Please check unit before installation.**

**Place bath in a bed of mortar or plaster  
for warranty compliance.**

Bathing Area 57" x 27" x 14"



**FLORESTONE PRODUCTS CO., INC.**

2851 Falcon Drive • Madera, CA 93637

T. 559.661.4171 • T. 800.446.8827

F. 559.661.2070 • florestone.com

**Standards**

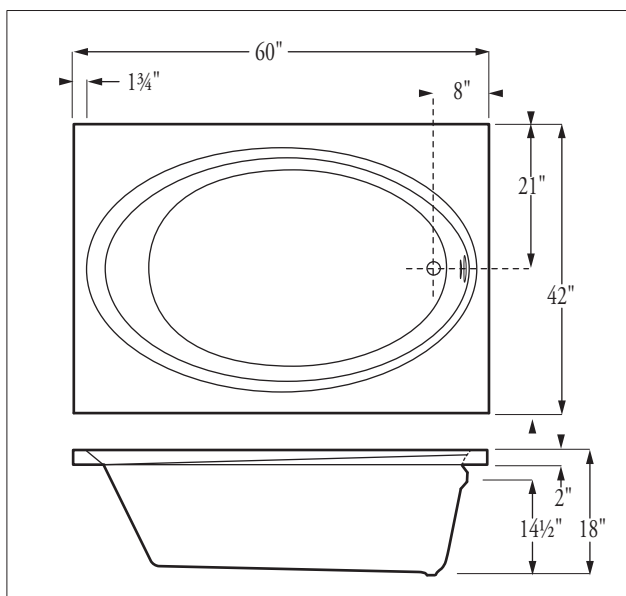
I.A.P.M.O. Listed File 1595

ANSI-Z-124.1

ASTM-84 Test Method







**Dimensions may vary  $\pm$  1/4" inch.  
Please check unit before installation.**

**Place bath in a bed of mortar or plaster  
for warranty compliance.**

Bathing Area 56 $\frac{1}{2}$ " x 37" x 14 $\frac{1}{2}$ "

### Standards

I.A.P.M.O. Listed File 1595

ANSI-Z-124.1

ASTM-84 Test Method



## Florestone Model 6085 Island Fiberglass Custom Bath

60" x 42" x 18"

Weight: 90 lbs.

Capacity: 60 gallons

### Architect's Specifications

Furnish and install bath unit Model 6085 as manufactured by Florestone Products Co. Unit to be manufactured of gel-coated fiberglass meeting Class C Flame Retardance. Unit to be supplied with laminated floor for extra rigidity.

Standard color: White.

### Optional Colors

Colors matching most major manufacturers' colors are available.

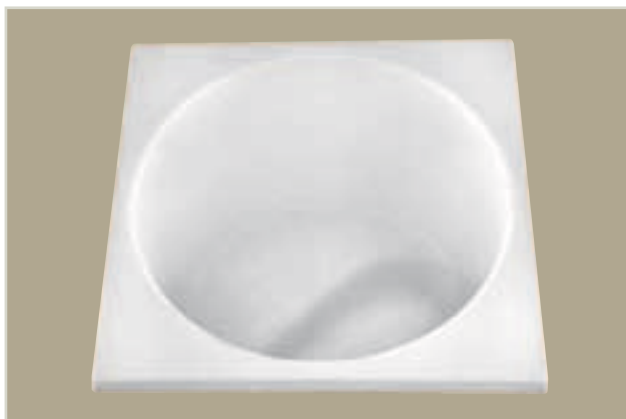
 **FLORESTONE**  
*A Spec Above.™*

**FLORESTONE PRODUCTS CO., INC.**

2851 Falcon Drive • Madera, CA 93637

T. 559.661.4171 • T. 800.446.8827

F. 559.661.2070 • florestone.com



## Florestone Model 4040 Oriental Fiberglass Custom Bath

40" x 40" x 32<sup>3</sup>/<sub>8</sub>"

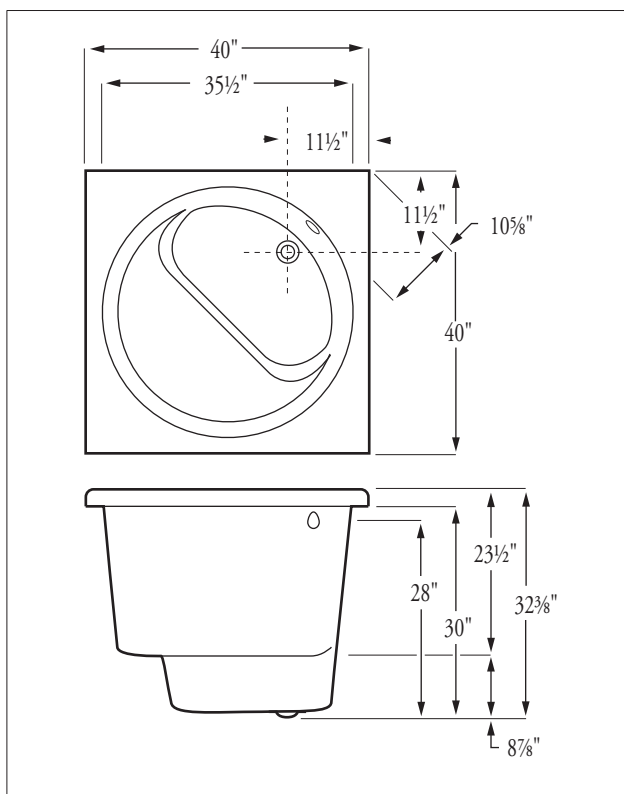
Weight: 87 lbs.

Capacity: 60 gallons

### Architect's Specifications

Furnish and install bath unit Model 4040 as manufactured by Florestone Products Co. Unit to be manufactured of gel-coated fiberglass meeting Class C Flame Retardance. Unit to be supplied with laminated floor for extra rigidity.

Standard color: White.



**Dimensions may vary  $\pm$  1/4" inch.  
Please check unit before installation.**

**Place bath in a bed of mortar or plaster  
for warranty compliance.**

Bathing Area 35<sup>1</sup>/<sub>2</sub>" x 35<sup>1</sup>/<sub>2</sub>" x 28"

### Standards

I.A.P.M.O. Listed File 1595

ANSI-Z-124.1

ASTM-84 Test Method



 **FLORESTONE**  
*A Spec Above.™*

**FLORESTONE PRODUCTS CO., INC.**

2851 Falcon Drive • Madera, CA 93637

T. 559.661.4171 • T. 800.446.8827

F. 559.661.2070 • florestone.com

**Florestone  
Model 6086  
Full Apron  
Fiberglass Custom Bath**

59 $\frac{3}{4}$ " x 42 $\frac{1}{2}$ " x 20 $\frac{3}{4}$ "

Weight: 97 lbs.

Capacity: 60 gallons

**Architect's  
Specifications**

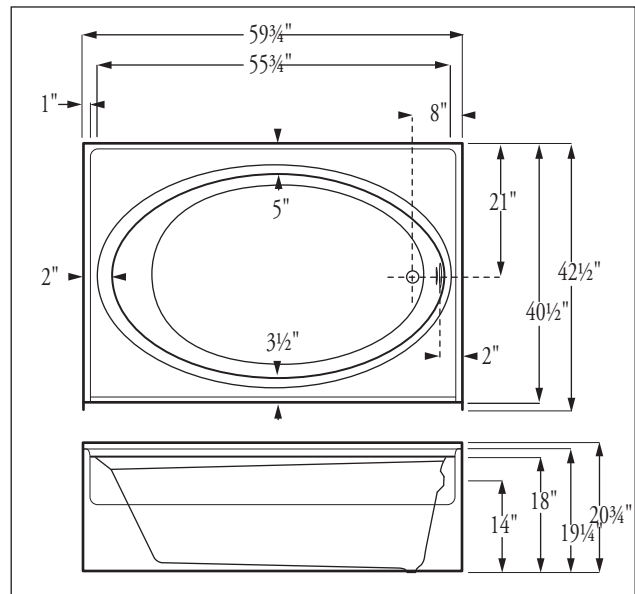
Furnish and install bath unit Model 6086 as manufactured by Florestone Products Co. Unit to be manufactured of gel-coated fiberglass meeting Class C Flame Retardance. Unit to be supplied with laminated floor for extra rigidity.

Specify RH or LH drain.

Standard color: White.

**Optional Colors**

Colors matching most major manufacturers' colors are available.



**Dimensions may vary  $\pm$  1/4" inch.  
Please check unit before installation.**

**Place bath in a bed of mortar or plaster  
for warranty compliance.**

Bathing Area 52" x 32 $\frac{1}{2}$ " x 14"



**FLORESTONE PRODUCTS CO., INC.**

2851 Falcon Drive • Madera, CA 93637

T. 559.661.4171 • T. 800.446.8827

F. 559.661.2070 • florestone.com

**Standards**

I.A.P.M.O. Listed File 1595

ANSI-Z-124.1

ASTM-84 Test Method



**Florestone  
Model 4059  
Pegasus  
Fiberglass Custom Bath**

60" x 40" x 32½"

Weight: 140 lbs.

Capacity: 100 gallons

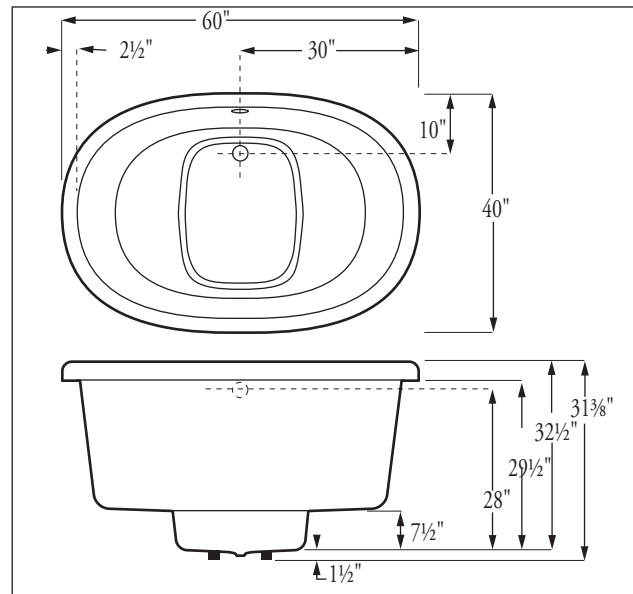
**Architect's  
Specifications**

Furnish and install bath unit Model 4059 as manufactured by Florestone Products Co. Unit to be manufactured of gel-coated fiberglass meeting Class C Flame Retardance. Unit to be supplied with laminated floor for extra rigidity.

Standard color: White.

**Optional Colors**

Colors matching most major manufacturers' colors are available.



**Dimensions may vary ± ¼" inch.  
Please check unit before installation.**

**Place bath in a bed of mortar or plaster  
for warranty compliance.**

Bathing Area 55" x 35" x 28"



**FLORESTONE PRODUCTS CO., INC.**

2851 Falcon Drive • Madera, CA 93637

T. 559.661.4171 • T. 800.446.8827

F. 559.661.2070 • florestone.com

**Standards**

I.A.P.M.O. Listed File 1595

ANSI-Z-124.1

ASTM-84 Test Method





**Florestone  
Model 6040  
Catrina  
Fiberglass Custom Bath**

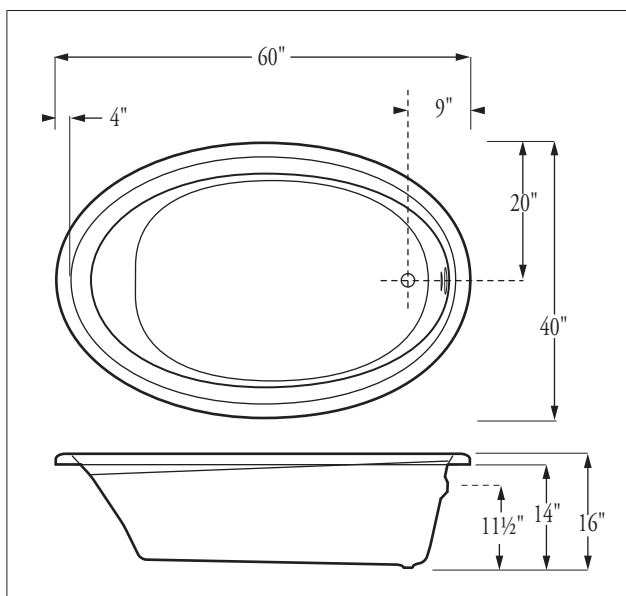
60" x 40" x 16"

Weight: 96 lbs.

Capacity: 35 gallons

**Architect's  
Specifications**

Furnish and install bath unit Model 6040 as manufactured by Florestone Products Co. Unit to be manufactured of gel-coated fiberglass meeting Class C Flame Retardance. Unit to be supplied with laminated floor for extra rigidity.



**Dimensions may vary  $\pm$  1/4" inch.  
Please check unit before installation.**

**Place bath in a bed of mortar or plaster  
for warranty compliance.**

Bathing Area 52" x 31" x 11 1/2"

**Fiberglass Colors**

Standard color: White

For availability of special order colors,  
see Colors and Options.

**Standards**

I.A.P.M.O. Listed File 1595

ANSI-Z-124.1

ASTM-84 Test Method



 **FLORESTONE**  
*A Spec Above.™*

**FLORESTONE PRODUCTS CO., INC.**

2851 Falcon Drive • Madera, CA 93637

T. 559.661.4171 • T. 800.446.8827

F. 559.661.2070 • florestone.com

## Florestone Model 6037 Fiberglass Custom Bath

60" x 36" x 17"  
Weight: 105 lbs.  
Capacity: 40 gallons

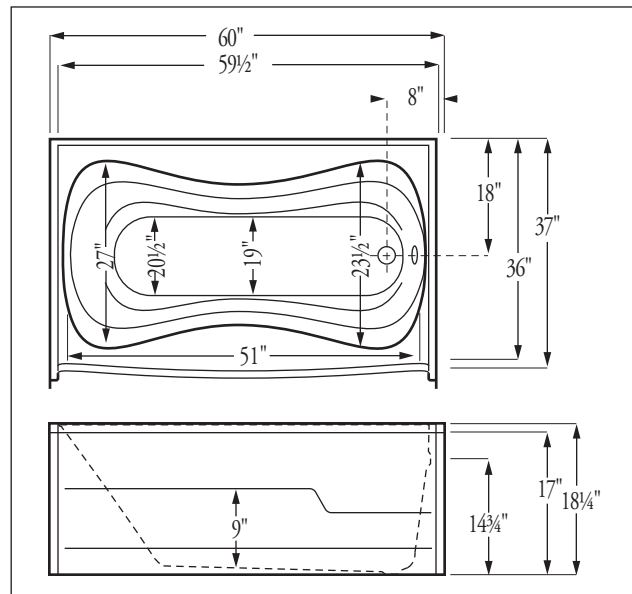
### Architect's Specifications

Furnish and install bath unit Model 6037 as manufactured by Florestone Products Co. Unit to be manufactured of gel-coated fiberglass meeting Class C Flame Retardance. Unit to be supplied with laminated floor for extra rigidity.

Standard color: White.

### Optional Colors

Colors matching most major manufacturers' colors are available.



**Dimensions may vary  $\pm$  1/4" inch.  
Please check unit before installation.**

**Place bath in a bed of mortar or plaster  
for warranty compliance.**

Bathing Area 51" x 19" x 14 $\frac{3}{4}$ "



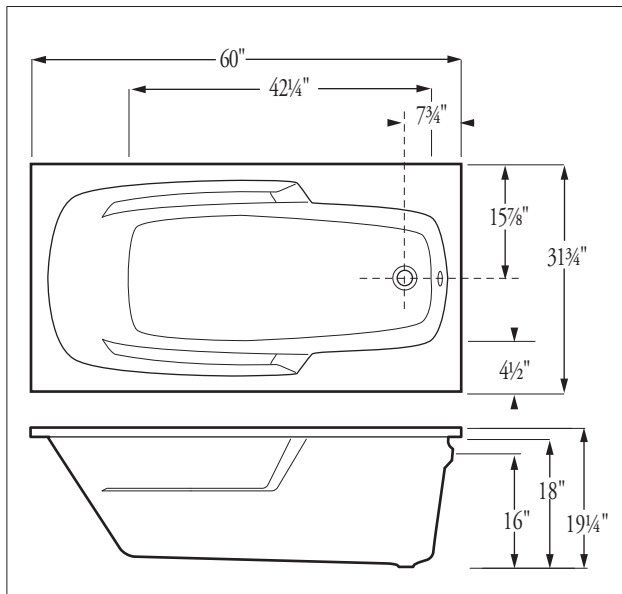
### FLORESTONE PRODUCTS CO., INC.

2851 Falcon Drive • Madera, CA 93637  
T. 559.661.4171 • T. 800.446.8827  
F. 559.661.2070 • florestone.com

### Standards

I.A.P.M.O. Listed File 1595  
ANSI-Z-124.1  
ASTM-84 Test Method





**Dimensions may vary  $\pm$  1/4" inch.  
Please check unit before installation.**

**Place bath in a bed of mortar or plaster  
for warranty compliance.**

Bathing Area 55" x 27" x 16"

### Standards

I.A.P.M.O. Listed File 1595

ANSI-Z-124.1

ASTM-84 Test Method



## Florestone Model 6019 Venetian Fiberglass Custom Bath

60" x 31 3/4" x 19 1/4"

Weight: 78 lbs.

Capacity: 40 gallons

### Architect's Specifications

Furnish and install bath unit Model 6016 as manufactured by Florestone Products Co. Unit to be manufactured of gel-coated fiberglass meeting Class C Flame Retardance. Unit to be supplied with laminated floor for extra rigidity.

### Fiberglass Colors

Standard color: White

For availability of special order colors,  
see Colors and Options.

 **FLORESTONE**  
*A Spec Above.™*

**FLORESTONE PRODUCTS CO., INC.**

2851 Falcon Drive • Madera, CA 93637

T. 559.661.4171 • T. 800.446.8827

F. 559.661.2070 • florestone.com

## Florestone Model 6012-3W Fiberglass Custom Bath

60" x 31" x 15"  
Weight: 105 lbs.  
Capacity: 40 gallons

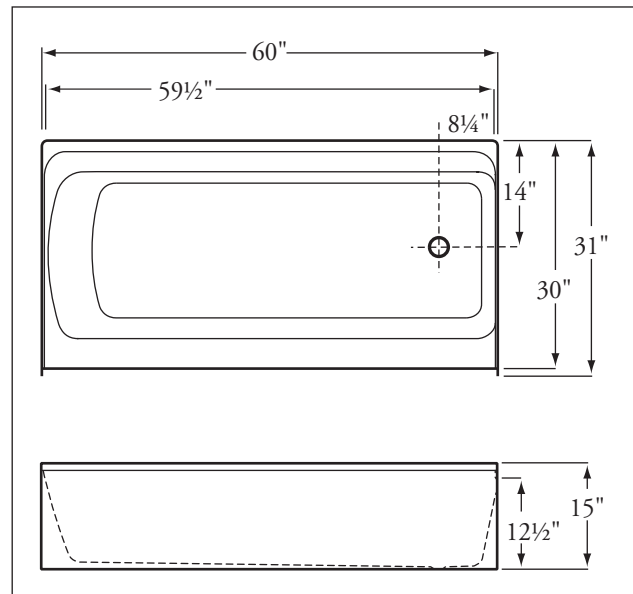
### Architect's Specifications

Furnish and install bath unit Model 6012-3W as manufactured by Florestone Products Co. Unit to be manufactured of gel-coated fiberglass meeting Class C Flame Retardance. Unit to be supplied with laminated floor for extra rigidity.

Standard color: White.

### Optional Colors

Colors matching most major manufacturers' colors are available.



**Dimensions may vary  $\pm$  1/4" inch.  
Please check unit before installation.**

**Place bath in a bed of mortar or plaster  
for warranty compliance.**

Bathing Area 51" x 19" x 14 3/4"



### FLORESTONE PRODUCTS CO., INC.

2851 Falcon Drive • Madera, CA 93637  
T. 559.661.4171 • T. 800.446.8827  
F. 559.661.2070 • florestone.com

### Standards

I.A.P.M.O. Listed File 1595  
ANSI-Z-124.1  
ASTM-84 Test Method

