



**Florestone
Model 4040
Oriental
Fiberglass Custom Bath**

40" x 40" x 32³/₈"

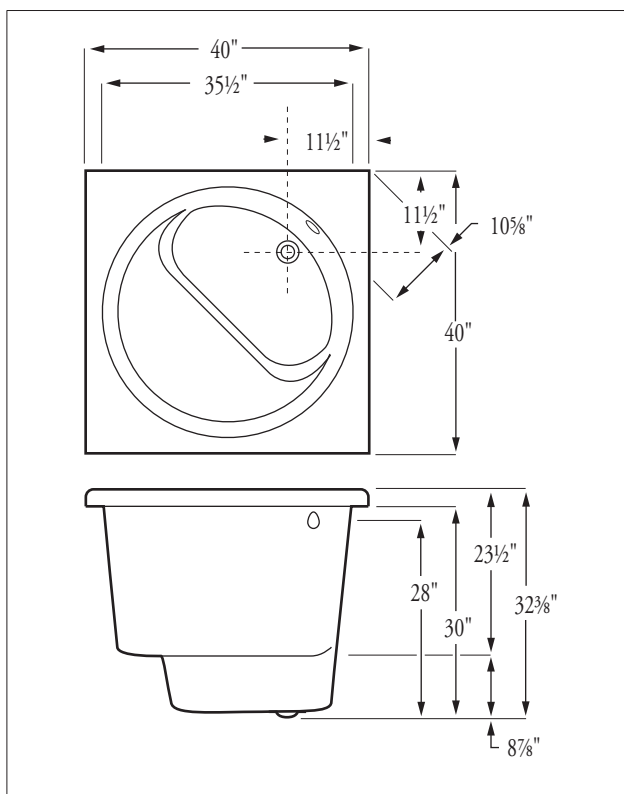
Weight: 87 lbs.

Capacity: 60 gallons

**Architect's
Specifications**

Furnish and install bath unit Model 4040 as manufactured by Florestone Products Co. Unit to be manufactured of gel-coated fiberglass meeting Class C Flame Retardance. Unit to be supplied with laminated floor for extra rigidity.

Standard color: White.



**Dimensions may vary \pm 1/4" inch.
Please check unit before installation.**

**Place bath in a bed of mortar or plaster
for warranty compliance.**

Bathing Area 35¹/₂" x 35¹/₂" x 28"

Standards

I.A.P.M.O. Listed File 1595

ANSI-Z-124.1

ASTM-84 Test Method



 **FLORESTONE**
A Spec Above.™

FLORESTONE PRODUCTS CO., INC.

2851 Falcon Drive • Madera, CA 93637

T. 559.661.4171 • T. 800.446.8827

F. 559.661.2070 • florestone.com