

FLORESTONE

MODELS MSR-2424 / MSR-3624

MOLDED MOP RECEPTORS

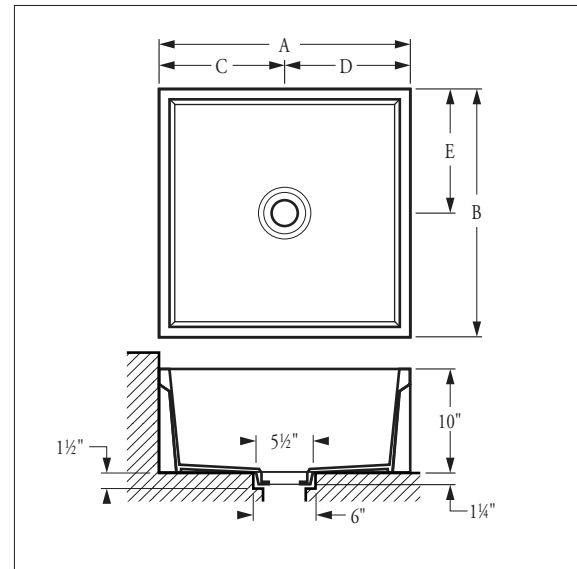
Architect's Specifications

Furnish and install molded Mop Receptor Model MSR-2424 / MSR-3624 (specify) as manufactured by Florestone Products Co. Molding will be done under heat and pressure using matched metal dies. The unit will be one piece with no seams. Shoulders will be no less than 1" wide and 9½" inside. Receptor will have ribbed underbody and integral drain providing for a no-caulked connection to a 2" or 3" ABS pipe (specify drain size). Drain grid will be 18-gauge stainless steel, flat type, #430.

Molded mop sinks are supplied with Wedge-Lok® seal for use on ABS pipe only.



Molded one-piece construction for light weight and easy handling. Supplied with Wedge-Lok™ seal, integral drain and chrome strainer.



Model	A	B	C	D	E	WT.
MSR-2424	24"	24"	12"	12"	12"	50
MSR-3624	36"	24"	18"	18"	12"	72



FLORESTONE PRODUCTS CO., INC.

2851 Falcon Dr. • Madera, CA 93637-9287

Tel: 559-661-4171 • Fax: 559-661-2070

www.florestone.com

Standards:

I.A.P.M.O. International Association of Plumbing and Mechanical Officials
File No. 2646.

ANSI American National Standards Institute – Specifications Z-124.6.

HUD/FHA National Specifications UM-73.

ASTM American Society of Testing and Material — E-162-75, E-84, D-635

CSA TEST Warnock Hersey Listed: CAN / CSA - B45.0 – CAN / CSA - B45.5

