

FLORESTONE
MOP RECEPTORS

QUALITY YOU CAN TRUST.

Since 1947, Florestone Products Co. has built a reputation based on product quality, ease of installation and reliability. Today we serve contractors, engineers, specifiers, architects and builders with products, service and distribution nationwide. The manufacturing methods, craftsmanship and attention to detail of Florestone Mop Receptors are second to none.

**WIDE VARIETY OF
SIZES AND STYLES.**

You have a wide choice of models, sizes, and styles. Many models are available in recess, corner, and neo-angle styles, with a choice of flanges and caps. You can choose between the durability of heavy-weight terrazzo and practicality of light-weight pressure molded construction.

ONE PIECE CONSTRUCTION

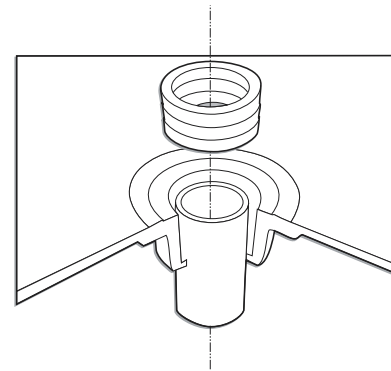
Molded under pressures up to 100,000 pounds per square foot, Florestone Molded Mop Receptors are designed not to crack or leak under normal use. Terrazzo receptors are also one-piece design with galvanized steel flanges cast integral for durability.

EXCLUSIVE WEDGE-LOK®

INTEGRAL SEAL

(MOLDED MOP RECEPTORS ONLY)

Florestone Molded Mop Receptors come with an integral drain molded into the receptor, eliminating the need for a separate drain. The Wedge-Lok® Seal connects easily to a 2" or 3" drain.



THE DURABILITY OF TERRAZZO

Heavy and made to last, Florestone Terrazzo Mop Receptors are manufactured of tan and white marble chips cast in white Portland cement reinforced with 16-gauge wire to compressive strengths over 3,000 psi, then ground, polished and sealed.



FLORESTONE PRODUCTS CO., INC.

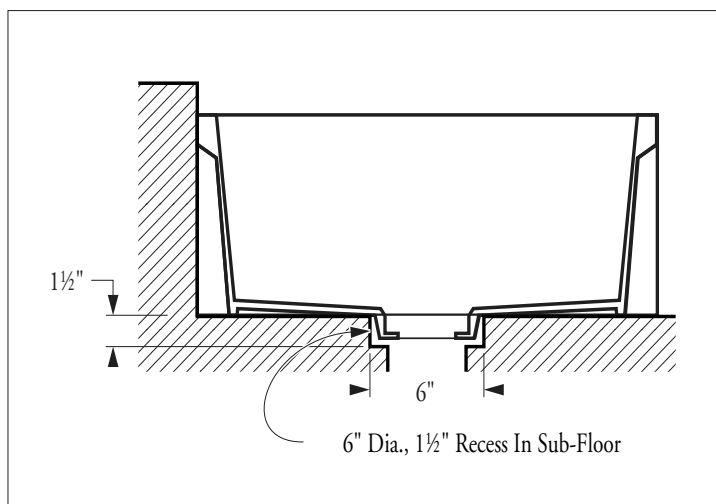
2851 Falcon Dr. • Madera, CA 93637-9287

Tel: 559-661-4171 • Fax: 559-661-2070

www.florestone.com

FLORESTONE
 MOLDED MOP RECEPTORS
 INSTALLATION INSTRUCTIONS

1. Integral drain requires minimum 6" diameter x 1½" deep recess in subfloor.
2. Level and plumb mop sink in subfloor. Shim or use mortar if needed to compensate for out-of-level subfloor.
3. Install **Wedge-Lok®** Seal according to instructions.
4. Use water to check for proper drainage upon attaching drain pipe and prior to finishing walls.



Drain Connection:

Easy to install **Wedge-Lok®** Seal fits most 2" or 3" ABS pipe installations. Ribbed underbody adds strength.

Allow for drain body to recess below floor level: 6" diameter by 1½" deep recess in subfloor.

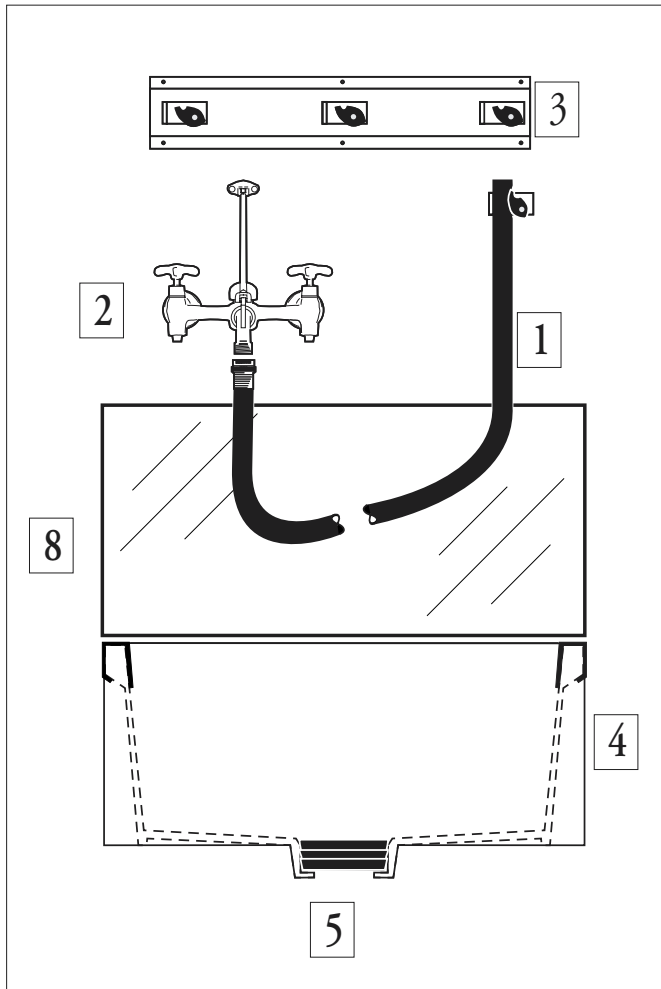


FLORESTONE PRODUCTS CO., INC.

2851 Falcon Dr. • Madera, CA 93637-9287

Tel: 559-661-4171 • Fax: 559-661-2070

www.florestone.com



Speakman® is a Registered Trademark of Speakman Co.

FLORESTONE
 MOLDED AND TERRAZZO
 MOP RECEPTORS
 ACCESSORIES

- (1) MR-370 5/8" Hose, 5' long with clamp.
- (2) MR-371 Speakman® Faucet with vacuum braker, double stops and bucket hook with brace. U.S. made.
- (3) MR-372 Mop hanger with 3 clamps.
- (4) MR-373 Stainless Steel rim guard, #304, 20 gauge, 24" or 36".
*Specify length and one (1), two (2), three (3) or four (4) each.
 (available on Molded Mop Sinks only)*
- (5) MR-374 Wedge-Lok® Seal, *specify 2" or 3".
 (available on Molded Mop Sinks only)*
- (6) MR-375 Flat strainer, chrome.
(available on Molded Mop Sinks only)
- (7) MR-376 Dome strainer, chrome.
(available on Molded Mop Sinks only)
- (8) MR-377 Two (2) each 24" panels *or*
 One (1) 24" panel and
 one (1) 36" panel.

 **FLORESTONE**
Quality Shower and Bath Products Since 1947.

FLORESTONE PRODUCTS CO., INC.

2851 Falcon Dr. • Madera, CA 93637-9287

Tel: 559-661-4171 • Fax: 559-661-2070

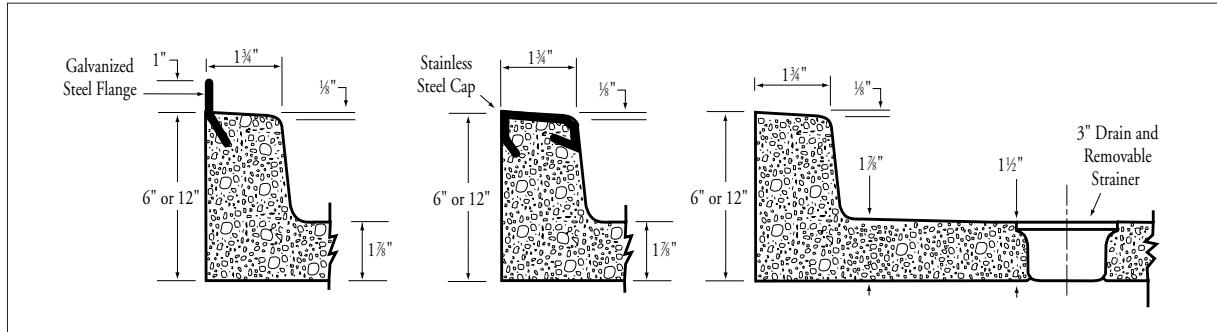
www.florestone.com

FLORESTONE TERRAZZO

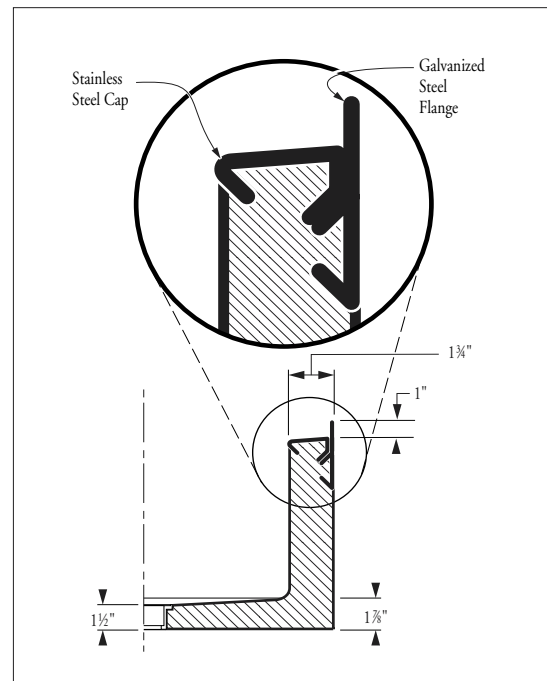
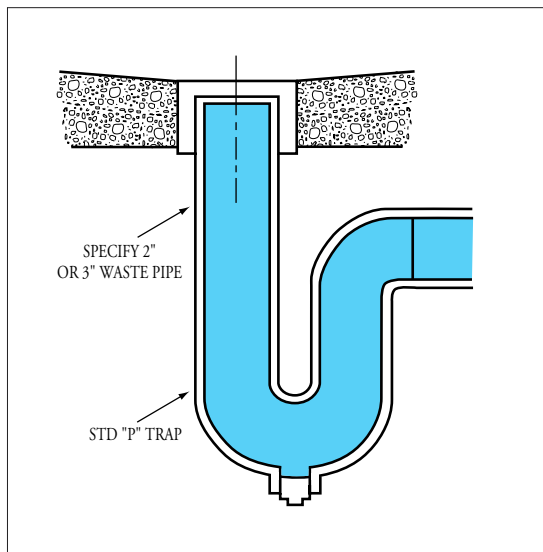
MOP RECEPTORS

INSTALLATION INSTRUCTIONS

Please Note: Flanges and Stainless Steel Caps are integral to the unit. They cannot be added later.



1. Place Mop Receptor on a thin bed of mortar or plaster.
2. Level unit front to back, right to left.
3. Use water to check for proper drainage after attaching drain pipe before finishing walls.



Construction Detail showing optional flange and cap.



FLORESTONE PRODUCTS CO., INC.

2851 Falcon Dr. • Madera, CA 93637-9287

Tel: 559-661-4171 • Fax: 559-661-2070

www.florestone.com