

**Florestone
Model 36-34H
Institutional Shower**

36" x 36" x 79"
Weight: 215 lbs.

**Architect's
Specifications**

Furnish and install one-piece gel-coated fiberglass shower stall Model 36-34H designed for barrier-free use as manufactured by Florestone Products Company. Unit to have a flame spread of 25 and a smoke density rating of 400 or less in accordance with ASTM-E84 test method. Basic shower will conform to ANSI-Z-124.2. Unit to include stainless steel curtain rod; Symmons® pressure balance mixing valve with concealed check stops; Alsons® hand-held shower head with hose and chrome-plated slide bar; two stainless steel grab bars; stainless steel recessed soap dish; white naughahyde folding seat (*specify right or left hand*).

Supplied with 2" brass drain.

Shower curtain optional.

Curtain Size: 45" x 75".

Standard Color: White.

Special order colors available.

Standards:

I.A.P.M.O. File No. 0687
ANSI-Z-124.2
ASTM-E84

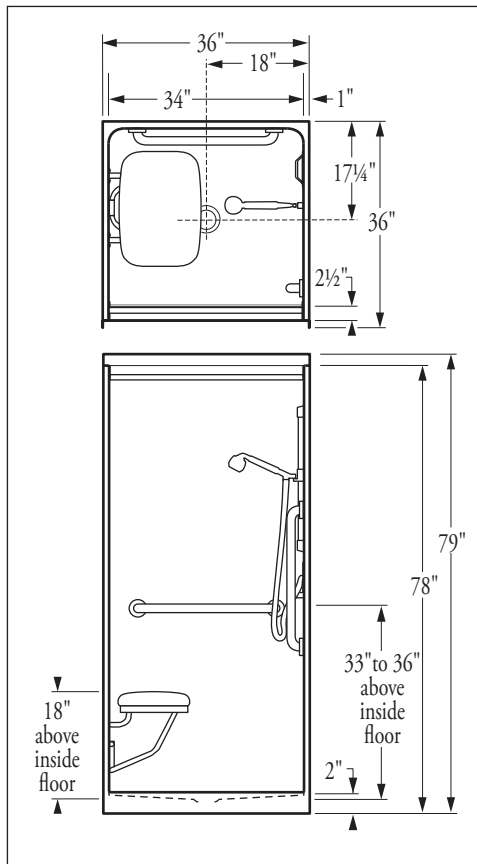


FLORESTONE PRODUCTS CO., INC.

2851 Falcon Drive • Madera, CA 93637

T. 559.661.4171 • T. 800.446.8827

F. 559.661.2070 • florestone.com



**Shower
comes complete
with accessories:**

- Stainless steel curtain rod
- Symmons® pressure balance mixing valve
- Alsons® hand-held shower head, hose and chrome-plated slide bar
- Two stainless steel grab bars
- Stainless steel recessed soap dish
- White naughahyde folding wheelchair transfer seat (*specify right or left hand*)
- **Optional:** Phenolic folding wheelchair transfer seat (*specify right or left hand*)

**Dimensions may vary ± 1/4" inch.
Please check unit before installation.**

For barrier-free installation, contractor shall provide recess for curb in sub floor.

Note: Exterior floor drain for water run-off recommended.
Symmons® is a Registered Trade Mark of Symmons Industries, Inc.
Alsons® is a Registered Trade Mark of Alsons Corporation.

**Dimensions subject to
change without notice.**

**Contact Florestone
Products to verify
product specifications.**



**Florestone
Model 3PC-36-34H
Institutional Shower**

36" x 36" x 80"
Weight: 215 lbs.

**Architect's
Specifications**

Furnish and install one-piece gel-coated fiberglass shower stall Model 3PC-36-34H designed for barrier-free use as manufactured by Florestone Products Company. Unit to have a flame spread of 25 and a smoke density rating of 400 or less in accordance with ASTM-E84 test method. Basic shower will conform to ANSI-Z-124.2. Unit to include stainless steel curtain rod; Symmons® pressure balance mixing valve with concealed check stops; Alsons® hand-held shower head with hose and chrome-plated slide bar; two stainless steel grab bars; stainless steel recessed soap dish; white naughahyde folding seat (*specify right or left hand*).

Supplied with 2" brass drain.

Shower curtain optional.

Curtain Size: 45" x 75".

Standard Color: White.

Special order colors available.

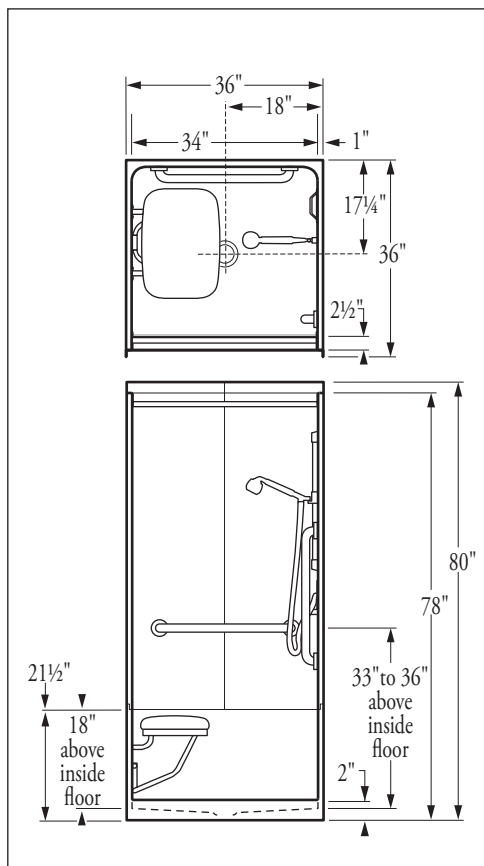
Standards:

I.A.P.M.O. File No. 0687
ANSI-Z-124.2
ASTM-E84



Shower comes complete with accessories:

- Stainless steel curtain rod
- Symmons® pressure balance mixing valve
- Alsons® hand-held shower head, hose and chrome-plated slide bar
- Two stainless steel grab bars
- Stainless steel recessed soap dish
- White naughahyde folding wheelchair transfer seat (*specify right or left hand*)
- **Optional:** Phenolic folding wheelchair transfer seat (*specify right or left hand*)



**Dimensions may vary ± 1/4" inch.
Please check unit before installation.**

For barrier-free installation, contractor shall provide recess for curb in sub floor.

Note: Exterior floor drain for water run-off recommended.
Symmons® is a Registered Trade Mark of Symmons Industries, Inc.
Alsons® is a Registered Trade Mark of Alsons Corporation.

Dimensions subject to change without notice.

Contact Florestone Products to verify product specifications.



FLORESTONE PRODUCTS CO., INC.

2851 Falcon Drive • Madera, CA 93637

T. 559.661.4171 • T. 800.446.8827

F. 559.661.2070 • florestone.com

Florestone Model 44-52H Barrier-Free Shower

44" x 52" x 84"
Weight: 285 lbs.

Architect's Specifications

Furnish and install one-piece gel-coated fiberglass shower stall Model 44-52H designed for barrier-free use as manufactured by Florestone Products Company. Unit to have a flame spread of 25 and a smoke density rating of 400 or less in accordance with ASTM-E84 test method. Basic shower will conform to ANSI-Z-124.2. Unit to include stainless steel curtain rod; Symmons® pressure balance mixing valve with concealed check stops; Alsons® hand-held shower head with hose and chrome-plated slide bar; stainless steel corner grab bar; stainless steel recessed soap dish; white naugahyde folding wheelchair transfer seat (*specify right or left hand*).

Supplied with 2" brass drain.

Shower curtain optional.

Curtain Size: 54" x 78".

Standard Color: White.

Special order colors available.

Standards:

I.A.P.M.O. File No. 0687
ANSI-Z-124.2
ASTM-E84



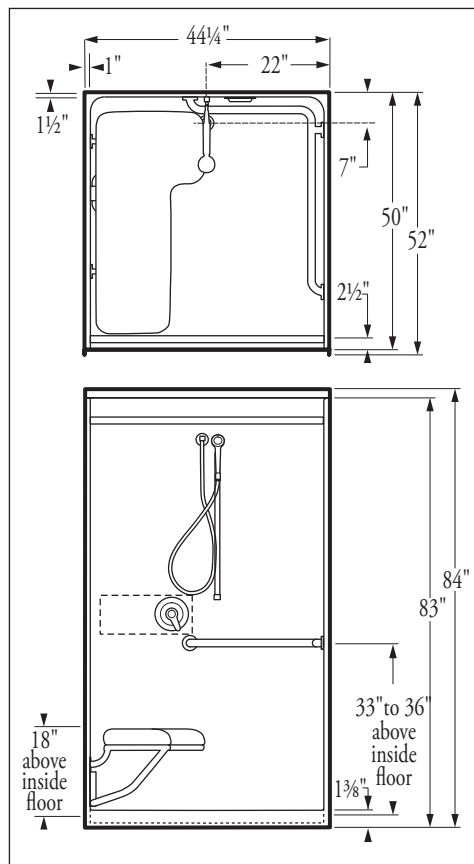
 **FLORESTONE**
A Spec Above.™

FLORESTONE PRODUCTS CO., INC.

2851 Falcon Drive • Madera, CA 93637

T. 559.661.4171 • T. 800.446.8827

F. 559.661.2070 • florestone.com



**Dimensions may vary \pm 1/4" inch.
Please check unit before installation.**

For barrier-free installation, contractor shall provide recess for curb in sub floor.

ADA compliance when accessories installed by manufacturer.
Note: Exterior floor drain for water run-off recommended.
Symmons® is a Registered Trade Mark of Symmons Industries, Inc.
Alsons® is a Registered Trade Mark of Alsons Corporation.

Shower comes complete with accessories:

- Stainless steel curtain rod
- Symmons® pressure balance mixing valve
- Alsons® hand-held shower head, hose and chrome-plated slide bar
- Two stainless steel grab bars
- Stainless steel recessed soap dish
- White naugahyde folding wheelchair transfer seat (*specify right or left hand*)
- **Optional:** Phenolic folding wheelchair transfer seat (*specify right or left hand*)

**Dimensions subject to
change without notice.**

**Contact Florestone
Products to verify
product specifications.**



Florestone Model 3PC44-52H Barrier-Free Shower

40 $\frac{1}{4}$ " x 52" x 84"

Weight: 295 lbs.

Architect's Specifications

Furnish and install one-piece gel-coated fiberglass shower stall Model 3PC44-52H designed for barrier-free use as manufactured by Florestone Products Company. Unit to have a flame spread of 25 and a smoke density rating of 400 or less in accordance with ASTM-E84 test method. Basic shower will conform to ANSI-Z-124.2. Unit to include stainless steel curtain rod; Symmons® pressure balance mixing valve with concealed check stops; Alsons® hand-held shower head with hose and chrome-plated slide bar; stainless steel corner grab bar; stainless steel recessed soap dish; white naugahyde folding wheelchair transfer seat (*specify right or left hand*).

Supplied with 2" brass drain.

Shower curtain optional.

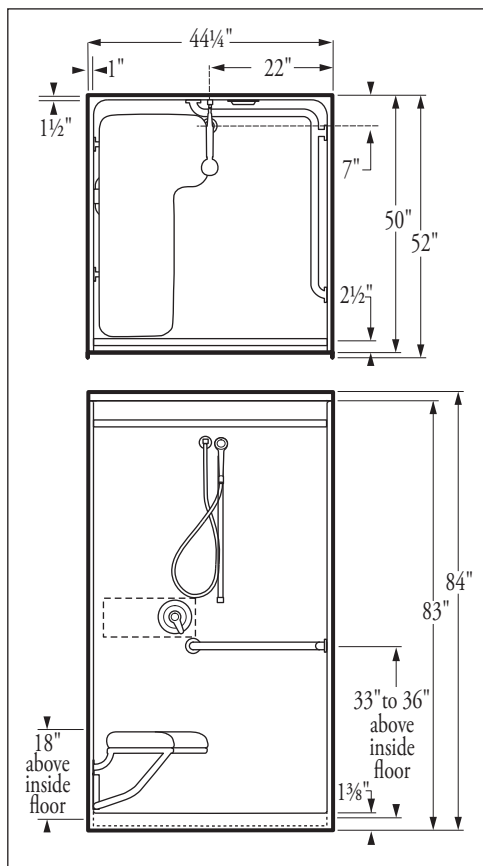
Curtain Size: 54" x 78".

Standard Color: White.

Special order colors available.

Shower comes complete with accessories:

- Stainless steel curtain rod
- Symmons® pressure balance mixing valve
- Alsons® hand-held shower head, hose and chrome-plated slide bar
- Two stainless steel grab bars
- Stainless steel recessed soap dish
- White naugahyde folding wheelchair transfer seat (*specify right or left hand*)
- **Optional:** Phenolic folding wheelchair transfer seat (*specify right or left hand*)



**Dimensions may vary \pm 1/4" inch.
Please check unit before installation.**

For barrier-free installation, contractor shall provide recess for curb in sub floor.

Note: Exterior floor drain for water run-off recommended.
Symmons® is a Registered Trade Mark of Symmons Industries, Inc.
Alsons® is a Registered Trade Mark of Alsons Corporation.

Dimensions subject to
change without notice.

Contact Florestone
Products to verify
product specifications.

Standards:

I.A.P.M.O. File No. 0687

ANSI-Z-124.2

ASTM-E84



FLORESTONE
A Spec Above.™

FLORESTONE PRODUCTS CO., INC.

2851 Falcon Drive • Madera, CA 93637

T. 559.661.4171 • T. 800.446.8827

F. 559.661.2070 • florestone.com

Floestone Model 48-52H Institutional Shower

48½" x 52" x 85"

Weight: 380 lbs.

Architect's Specifications

Furnish and install one-piece gel-coated fiberglass shower stall Model 48-52H designed for barrier-free use as manufactured by Floestone Products Company. Unit to have a flame spread of 25 and a smoke density rating of 400 or less in accordance with ASTM-E84 test method. Basic shower will conform to ANSI-Z-124.2. Unit to include stainless steel curtain rod; Symmons® pressure balance mixing valve with concealed check stops; Alsons® hand-held shower head with hose and chrome-plated slide bar; stainless steel corner grab bar; stainless steel recessed soap dish; white naugahyde folding wheelchair transfer seat (specify right or left hand).

Supplied with 2" brass drain.

Shower curtain optional.

Curtain Size: 54" x 78".

Standard Color: White.

Special order colors available.

Standards:

I.A.P.M.O. File No. 0687

ANSI-Z-124.2

ASTM-E84

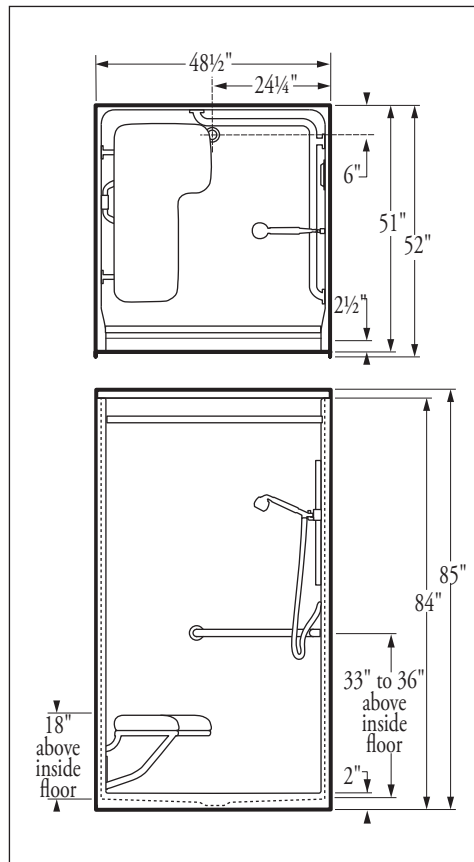


FLORESTONE PRODUCTS CO., INC.

2851 Falcon Drive • Madera, CA 93637

T. 559.661.4171 • T. 800.446.8827

F. 559.661.2070 • floestone.com



**Dimensions may vary ± ¼" inch.
Please check unit before installation.**

For barrier-free installation, contractor shall provide recess for curb in sub floor.

Note: Exterior floor drain for water run-off recommended.
Symmons® is a Registered Trade Mark of Symmons Industries, Inc.
Alsons® is a Registered Trade Mark of Alsons Corporation.

Shower comes complete with accessories:

- Stainless steel curtain rod
- Symmons® pressure balance mixing valve
- Alsons® hand-held shower head, hose and chrome-plated slide bar
- Two stainless steel grab bars
- Stainless steel recessed soap dish
- White naugahyde folding wheelchair transfer seat (specify right or left hand)
- **Optional:** Phenolic folding wheelchair transfer seat (specify right or left hand)

**Dimensions subject to
change without notice.**

**Contact Floestone
Products to verify
product specifications.**



**Florestone
Model 3PC-48-52H
Institutional Shower**

48 1/2" x 52" x 87"
Weight: 390 lbs.

**Architect's
Specifications**

Furnish and install three-piece gel-coated fiberglass shower stall Model 3PC-48-52H designed for barrier-free use as manufactured by Florestone Products Company. Unit to have a flame spread of 25 and a smoke density rating of 400 or less in accordance with ASTM-E84 test method. Basic shower will conform to ANSI-Z-124.2. Unit to include stainless steel curtain rod; Symmons® pressure balance mixing valve with concealed check stops; Alsons® hand-held shower head with hose and chrome-plated slide bar; stainless steel corner grab bar; stainless steel recessed soap dish; white naugahyde folding wheelchair transfer seat (specify right or left hand).

Supplied with 2" brass drain.

Shower curtain optional.

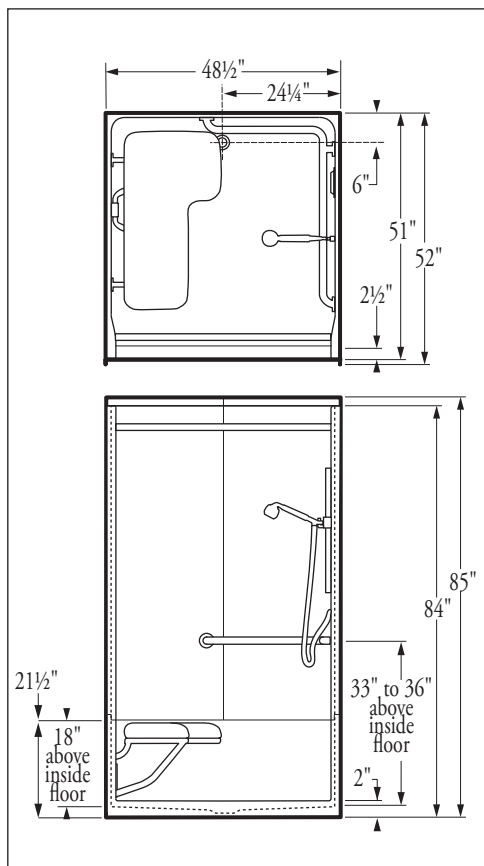
Curtain Size: 54" x 78".

Standard Color: White.

Special order colors available.

Shower comes complete with accessories:

- Stainless steel curtain rod
- Symmons® pressure balance mixing valve
- Alsons® hand-held shower head, hose and chrome-plated slide bar
- Two stainless steel grab bars
- Stainless steel recessed soap dish
- White naugahyde folding wheelchair transfer seat (specify right or left hand)
- **Optional:** Phenolic folding wheelchair transfer seat (specify right or left hand)



**Dimensions may vary ± 1/4" inch.
Please check unit before installation.**

For barrier-free installation, contractor shall provide recess for curb in sub floor.

ADA compliance when accessories installed by manufacturer.
Note: Exterior floor drain for water run-off recommended.
Symmons® is a Registered Trade Mark of Symmons Industries, Inc.
Alsons® is a Registered Trade Mark of Alsons Corporation.

Standards:

- I.A.P.M.O. File No. 0687
- ANSI-Z-124.2
- ASTM-E84



FLORESTONE PRODUCTS CO., INC.

2851 Falcon Drive • Madera, CA 93637

T. 559.661.4171 • T. 800.446.8827

F. 559.661.2070 • florestone.com

Dimensions subject to change without notice.

Contact Florestone Products to verify product specifications.

**Florestone
Model 30-60H
Institutional Shower**

60" x 31" x 81½"
Weight: 235 lbs.

**Architect's
Specifications**

Furnish and install one-piece gel-coated fiberglass shower stall Model 30-60H designed for barrier-free use as manufactured by Florestone Products Company. Unit to have a flame spread of 25 and a smoke density rating of 400 or less in accordance with ASTM-E84 test method. Basic shower will conform to ANSI-Z-124.2. Unit to include stainless steel curtain rod; Symmons® pressure balance mixing valve with concealed check stops; Alsons® hand-held shower head with hose and chrome-plated slide bar; stainless steel wrap-around grab bar; stainless steel recessed soap dish.

Supplied with 2" brass drain.

Shower curtain optional.

Curtain Size: 72" x 78".

Standard Color: White.

Special order colors available.

Standards:

I.A.P.M.O. File No. 0687
ANSI-Z-124.2
ASTM-E84

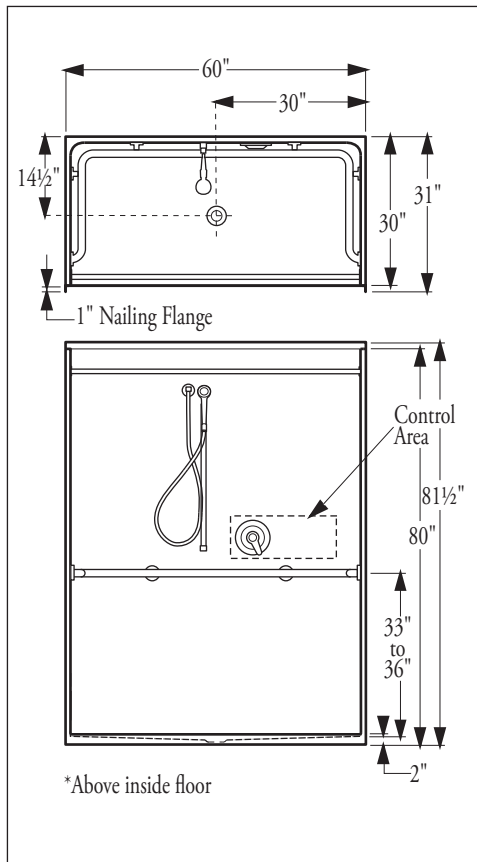


FLORESTONE PRODUCTS CO., INC.

2851 Falcon Drive • Madera, CA 93637

T. 559.661.4171 • T. 800.446.8827

F. 559.661.2070 • florestone.com



**Shower
comes complete
with accessories:**

- Stainless steel curtain rod
- Symmons® pressure balance mixing valve
- Alsons® hand-held shower head, hose and chrome-plated slide bar
- Stainless steel wrap-around grab bar
- Stainless steel recessed soap dish

**Dimensions may vary ± ¼" inch.
Please check unit before installation.**

For barrier-free installation, contractor shall provide recess for curb in sub floor.

Note: Exterior floor drain for water run-off recommended.
Symmons® is a Registered Trade Mark of Symmons Industries, Inc.
Alsons® is a Registered Trade Mark of Alsons Corporation.

**Dimensions subject to
change without notice.**

**Contact Florestone
Products to verify
product specifications.**



**Florestone
Model 3PC-30-60H
Institutional Shower**

60" x 31" x 81½"
Weight: 245 lbs.

**Architect's
Specifications**

Furnish and install three-piece gel-coated fiberglass shower stall Model 3PC-30-60H designed for barrier-free use as manufactured by Florestone Products Company. Unit to have a flame spread of 25 and a smoke density rating of 400 or less in accordance with ASTM-E84 test method. Basic shower will conform to ANSI-Z-124.2. Unit to include stainless steel curtain rod; Symmons® pressure balance mixing valve with concealed check stops; Alsons® hand-held shower head with hose and chrome-plated slide bar; stainless steel wrap-around grab bar; stainless steel recessed soap dish. Supplied with 2" brass drain.

Shower curtain optional.

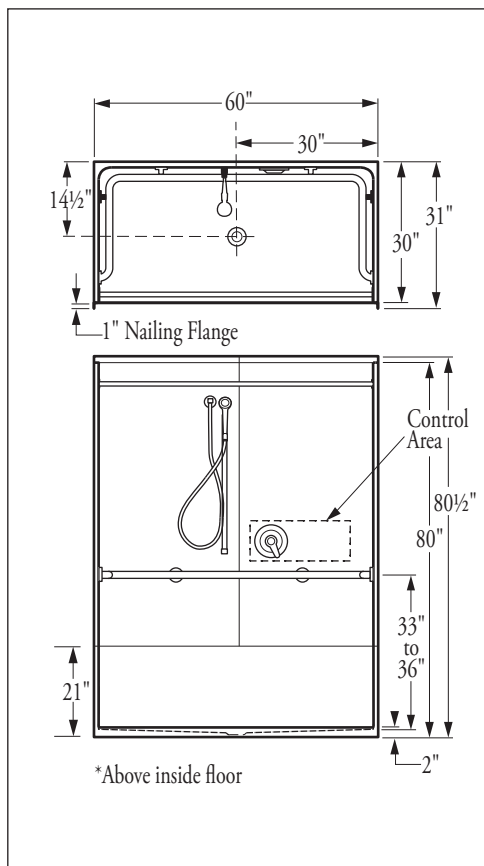
Curtain Size: 72" x 78".

Standard Color: White.

Special order colors available.

Shower comes complete with accessories:

- Stainless steel curtain rod
- Symmons® pressure balance mixing valve
- Alsons® hand-held shower head, hose and chrome-plated slide bar
- Stainless steel wrap-around grab bar
- Stainless steel recessed soap dish



Standards:

I.A.P.M.O. File No. 0687
ANSI-Z-124.2
ASTM-E84



Dimensions subject to change without notice.

Contact Florestone Products to verify product specifications.

Dimensions may vary ± ¼" inch. Please check unit before installation.

For barrier-free installation, contractor shall provide recess for curb in sub floor.

Note: Exterior floor drain for water run-off recommended.
Symmons® is a Registered Trade Mark of Symmons Industries, Inc.
Alsons® is a Registered Trade Mark of Alsons Corporation.



FLORESTONE PRODUCTS CO., INC.

2851 Falcon Drive • Madera, CA 93637

T. 559.661.4171 • T. 800.446.8827

F. 559.661.2070 • florestone.com

**Florestone
Model 32-60H
Institutional Shower**

60" x 31" x 81½"
Weight: 260 lbs.

**Architect's
Specifications**

Furnish and install one-piece gel-coated fiberglass shower stall Model 32-60H designed for barrier-free use as manufactured by Florestone Products Company. Unit to have a flame spread of 25 and a smoke density rating of 400 or less in accordance with ASTM-E84 test method. Basic shower will conform to ANSI-Z-124.2. Unit to include stainless steel curtain rod; Symmons® pressure balance mixing valve with concealed check stops; Alsons® hand-held shower head with hose and chrome-plated slide bar; stainless steel corner grab bar; stainless steel recessed soap dish; white naugahyde folding wheelchair transfer seat (specify right or left hand).

Supplied with 2" brass drain.

Shower curtain optional.

Curtain Size: 72" x 78".

Standard Color: White.

Special order colors available.

Standards:

I.A.P.M.O. File No. 0687
ANSI-Z-124.2
ASTM-E84

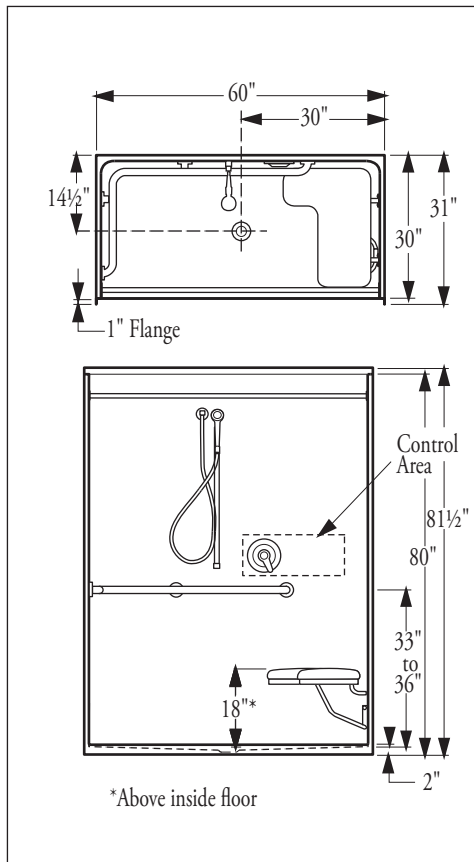


FLORESTONE PRODUCTS CO., INC.

2851 Falcon Drive • Madera, CA 93637

T. 559.661.4171 • T. 800.446.8827

F. 559.661.2070 • florestone.com



**Shower
comes complete
with accessories:**

- Stainless steel curtain rod
- Symmons® pressure balance mixing valve
- Alsons® hand-held shower head, hose and chrome-plated slide bar
- Two stainless steel grab bars
- Stainless steel recessed soap dish
- White naugahyde folding wheelchair transfer seat (specify right or left hand)
- **Optional:** Phenolic folding wheelchair transfer seat (specify right or left hand)

**Dimensions may vary ± ¼" inch.
Please check unit before installation.**

For barrier-free installation, contractor shall provide recess for curb in sub floor.

Note: Exterior floor drain for water run-off recommended.
Symmons® is a Registered Trade Mark of Symmons Industries, Inc.
Alsons® is a Registered Trade Mark of Alsons Corporation.

**Dimensions subject to
change without notice.**

**Contact Florestone
Products to verify
product specifications.**



Florestone Model 3PC-32-60H Institutional Shower

60" x 31" x 81½"

Weight: 270 lbs.

Architect's Specifications

Furnish and install one-piece gel-coated fiberglass shower stall Model 3PC-32-60H designed for barrier-free use as manufactured by Florestone Products Company. Unit to have a flame spread of 25 and a smoke density rating of 400 or less in accordance with ASTM-E84 test method. Basic shower will conform to ANSI-Z-124.2. Unit to include stainless steel curtain rod; Symmons® pressure balance mixing valve with concealed check stops; Alsons® hand-held shower head with hose and chrome-plated slide bar; stainless steel corner grab bar; stainless steel recessed soap dish; white haugahyde folding wheelchair transfer seat (*specify right or left hand*).

Supplied with 2" brass drain.

Shower curtain optional.

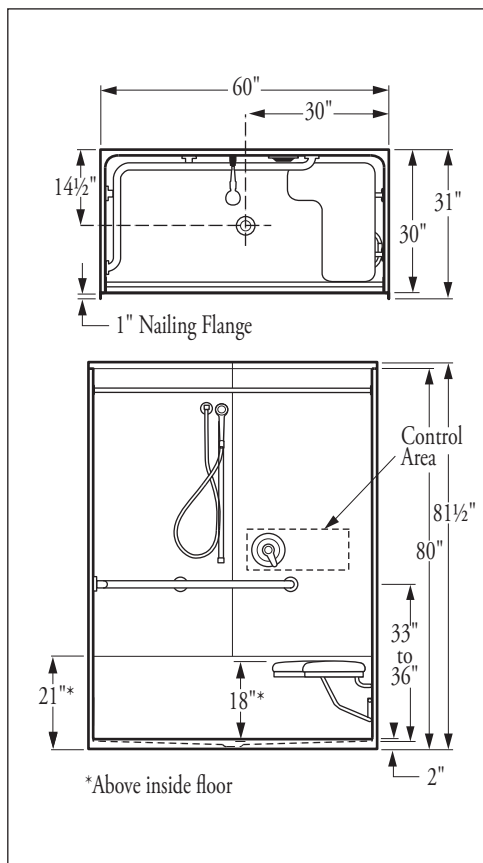
Curtain Size: 72" x 72".

Standard Color: White.

Special order colors available.

Shower comes complete with accessories:

- Stainless steel curtain rod
- Symmons® pressure balance mixing valve
- Alsons® hand-held shower head, hose and chrome-plated slide bar
- Two stainless steel grab bars
- Stainless steel recessed soap dish
- White naugahyde folding wheelchair transfer seat (*specify right or left hand*)
- **Optional:** Phenolic folding wheelchair transfer seat (*specify right or left hand*)



Standards:

I.A.P.M.O. File No. 0687

ANSI-Z-124.2

ASTM-E84



FLORESTONE
A Spec Above.™

FLORESTONE PRODUCTS CO., INC.

2851 Falcon Drive • Madera, CA 93637

T. 559.661.4171 • T. 800.446.8827

F. 559.661.2070 • florestone.com

Dimensions subject to
change without notice.

Contact Florestone
Products to verify
product specifications.

**Dimensions may vary ± ¼" inch.
Please check unit before installation.**

For barrier-free installation, contractor shall provide recess for curb in sub floor.

ADA compliance when accessories installed by manufacturer.
Note: Exterior floor drain for water run-off recommended.
Symmons® is a Registered Trade Mark of Symmons Industries, Inc.
Alsons® is a Registered Trade Mark of Alsons Corporation.

**Florestone
Model 36-60H
Institutional Shower**

60" x 36" x 78"
Weight: 260 lbs.

**Architect's
Specifications**

Furnish and install one-piece gel-coated fiberglass shower stall Model 36-60H designed for barrier-free use as manufactured by Florestone Products Company. Unit to have a flame spread of 25 and a smoke density rating of 400 or less in accordance with ASTM-E84 test method. Basic shower will conform to ANSI-Z-124.2. Unit to include stainless steel curtain rod; Symmons® pressure balance mixing valve with concealed check stops; Alsons® hand-held shower head with hose and chrome-plated slide bar; stainless steel wrap-around grab bar; stainless steel recessed soap dish.

Shower curtain optional.

Curtain Size: 72" x 72".

Standard Color: White.

Special order colors available.

Standards:

I.A.P.M.O. File No. 0687
ANSI-Z-124.2
ASTM-E84

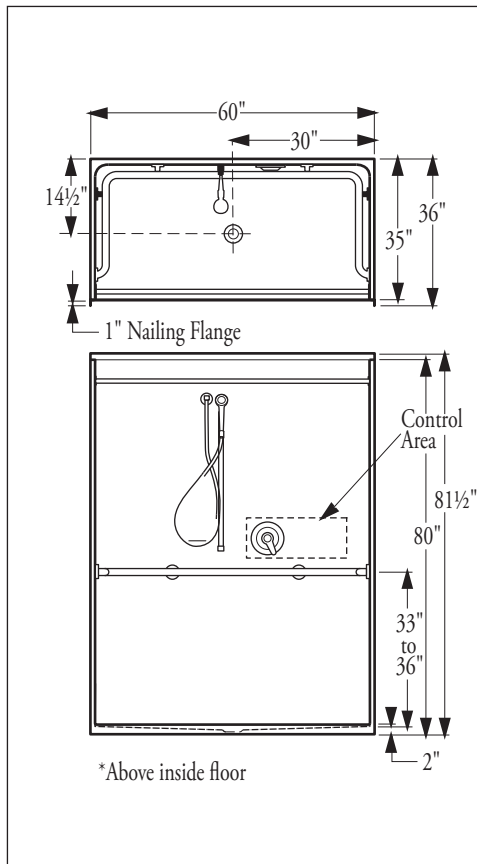


FLORESTONE PRODUCTS CO., INC.

2851 Falcon Drive • Madera, CA 93637

T. 559.661.4171 • T. 800.446.8827

F. 559.661.2070 • florestone.com



*Above inside floor

**Shower
comes complete
with accessories:**

- Stainless steel curtain rod
- Symmons® pressure balance mixing valve
- Alsons® hand-held shower head, hose and chrome-plated slide bar
- Stainless steel wrap-around grab bar
- Stainless steel recessed soap dish

**Dimensions may vary ± 1/4" inch.
Please check unit before installation.**

For barrier-free installation, contractor shall provide recess for curb in sub floor.

Note: Exterior floor drain for water run-off recommended.
Symmons® is a Registered Trade Mark of Symmons Industries, Inc.
Alsons® is a Registered Trade Mark of Alsons Corporation.

**Dimensions subject to
change without notice.**

**Contact Florestone
Products to verify
product specifications.**



**Florestone
Model 3PC-36-60H
Institutional Shower**

60" x 36" x 78"
Weight: 270 lbs.

**Architect's
Specifications**

Furnish and install three-piece gel-coated fiberglass shower stall Model 3PC-36-60H designed for barrier-free use as manufactured by Florestone Products Company. Unit to have a flame spread of 25 and a smoke density rating of 400 or less in accordance with ASTM-E84 test method. Basic shower will conform to ANSI-Z-124.2. Unit to include stainless steel curtain rod; Symmons® pressure balance mixing valve with concealed check stops; Alsons® hand-held shower head with hose and chrome-plated slide bar; stainless steel wrap-around grab bar; stainless steel recessed soap dish.

Shower curtain optional.

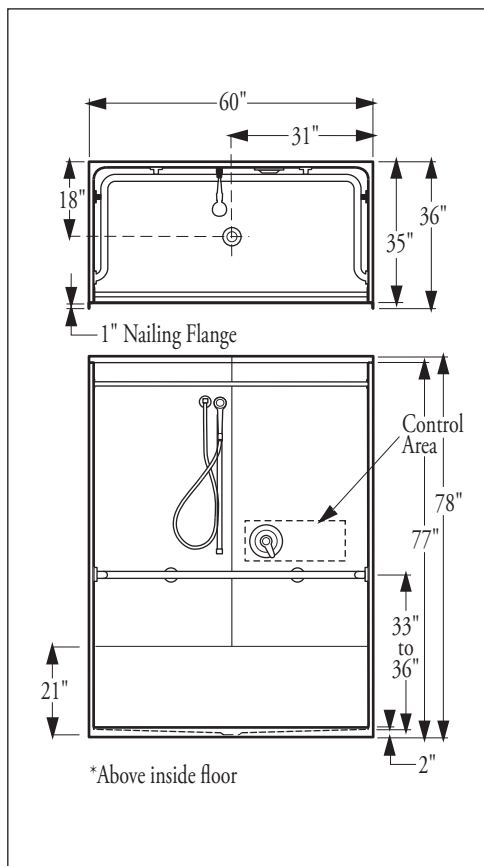
Curtain Size: 72" x 72".

Standard Color: White.

Special order colors available.

Shower comes complete with accessories:

- Stainless steel curtain rod
- Symmons® pressure balance mixing valve
- Alsons® hand-held shower head, hose and chrome-plated slide bar
- Stainless steel wrap-around grab bar
- Stainless steel recessed soap dish



Standards:

I.A.P.M.O. File No. 0687
ANSI-Z-124.2
ASTM-E84



FLORESTONE PRODUCTS CO., INC.

2851 Falcon Drive • Madera, CA 93637
T. 559.661.4171 • T. 800.446.8827
F. 559.661.2070 • florestone.com

Dimensions subject to change without notice.

Contact Florestone Products to verify product specifications.

Dimensions may vary ± 1/4" inch. Please check unit before installation.

For barrier-free installation, contractor shall provide recess for curb in sub floor.

Note: Exterior floor drain for water run-off recommended.
Symmons® is a Registered Trade Mark of Symmons Industries, Inc.
Alsons® is a Registered Trade Mark of Alsons Corporation.

**Florestone
Model 38-60H
Institutional Shower**

60" x 36" x 78"
Weight: 285 lbs.

**Architect's
Specifications**

Furnish and install one-piece gel-coated fiberglass shower stall Model 38-60H designed for barrier-free use as manufactured by Florestone Products Company. Unit to have a flame spread of 25 and a smoke density rating of 400 or less in accordance with ASTM-E84 test method. Basic shower will conform to ANSI-Z-124.2. Unit to include stainless steel curtain rod; Symmons® pressure balance mixing valve with concealed check stops; Alsons® hand-held shower head with hose and chrome-plated slide bar; stainless steel corner grab bar; stainless steel recessed soap dish; white naugahyde folding wheelchair transfer seat (specify right or left hand).

Supplied with 2" brass drain.

Shower curtain optional.

Curtain Size: 72" x 72".

Standard Color: White.

Special order colors available.

Standards:

I.A.P.M.O. File No. 0687
ANSI-Z-124.2
ASTM-E84 •

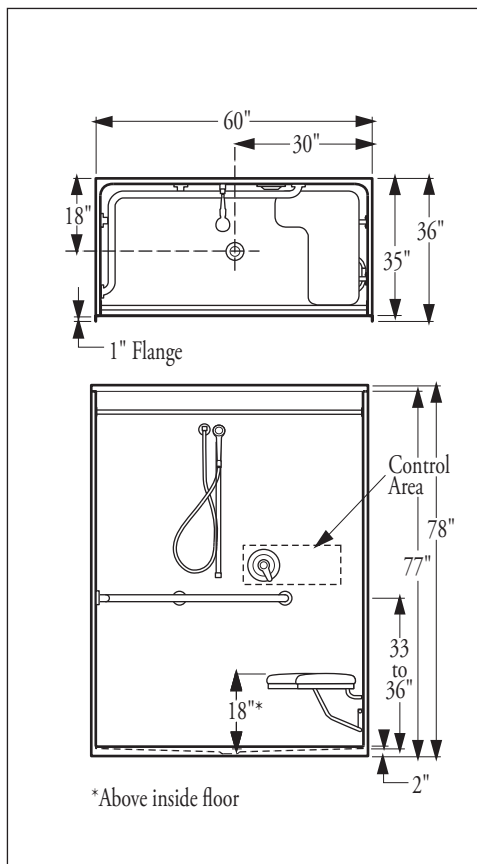


FLORESTONE PRODUCTS CO., INC.

2851 Falcon Drive • Madera, CA 93637

T. 559.661.4171 • T. 800.446.8827

F. 559.661.2070 • florestone.com



**Shower
comes complete
with accessories:**

- Stainless steel curtain rod
- Symmons® pressure balance mixing valve
- Alsons® hand-held shower head, hose and chrome-plated slide bar
- Stainless steel wrap-around grab bar
- Stainless steel recessed soap dish
- White naugahyde folding wheelchair transfer seat (specify right or left; hand)
- **Optional:** Phenolic folding wheelchair transfer seat (specify right or left hand)

**Dimensions may vary ± 1/4" inch.
Please check unit before installation.**

For barrier-free installation, contractor shall provide recess for curb in sub floor.

Note: Exterior floor drain for water run-off recommended.
Symmons® is a Registered Trade Mark of Symmons Industries, Inc.
Alsons® is a Registered Trade Mark of Alsons Corporation.

**Dimensions subject to
change without notice.**

**Contact Florestone
Products to verify
product specifications.**



**Florestone
Model 3PC-38-60H
Institutional Shower**

60" x 36" x 78"
Weight: 295 lbs.

**Architect's
Specifications**

Furnish and install three-piece gel-coated fiberglass shower stall Model 3PC-38-60H designed for barrier-free use as manufactured by Florestone Products Company. Unit to have a flame spread of 25 and a smoke density rating of 400 or less in accordance with ASTM-E84 test method. Basic shower will conform to ANSI-Z-124.2. Unit to include stainless steel curtain rod; Symmons® pressure balance mixing valve with concealed check stops; Alsons® hand-held shower head with hose and chrome-plated slide bar; stainless steel corner grab bar; stainless steel recessed soap dish; white naugahyde folding wheelchair transfer seat (specify right or left hand).

Supplied with 2" brass drain.

Shower curtain optional.

Curtain Size: 72" x 72".

Standard Color: White.

Special order colors available.

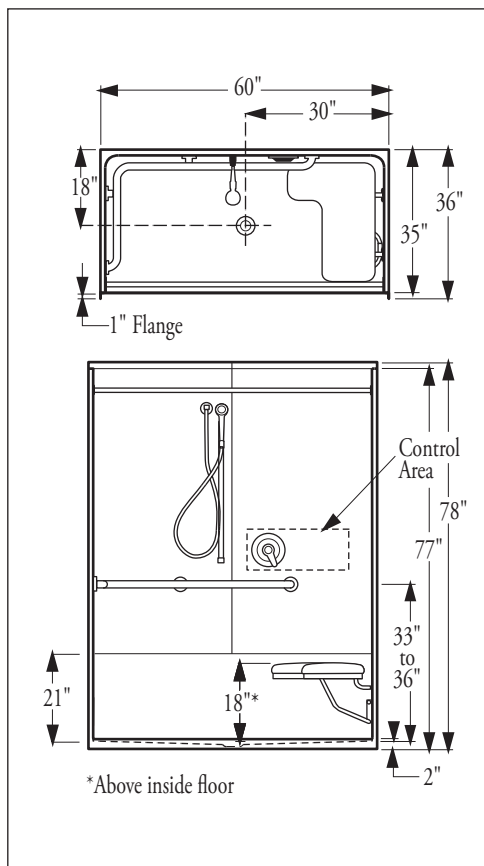
Standards:

I.A.P.M.O. File No. 0687
ANSI-Z-124.2
ASTM-E84



Shower comes complete with accessories:

- Stainless steel curtain rod
- Symmons® pressure balance mixing valve
- Alsons® hand-held shower head, hose and chrome-plated slide bar
- Two stainless steel grab bars
- Stainless steel recessed soap dish
- White naugahyde folding wheelchair transfer seat (specify right or left hand)
- **Optional:** Phenolic folding wheelchair transfer seat (specify right or left hand)



*Above inside floor

**Dimensions may vary ± 1/4" inch.
Please check unit before installation.**

For barrier-free installation, contractor shall provide recess for curb in sub floor.

Note: Exterior floor drain for water run-off recommended.
Symmons® is a Registered Trade Mark of Symmons Industries, Inc.
Alsons® is a Registered Trade Mark of Alsons Corporation.

Dimensions subject to change without notice.

Contact Florestone Products to verify product specifications.



FLORESTONE PRODUCTS CO., INC.

2851 Falcon Drive • Madera, CA 93637

T. 559.661.4171 • T. 800.446.8827

F. 559.661.2070 • florestone.com

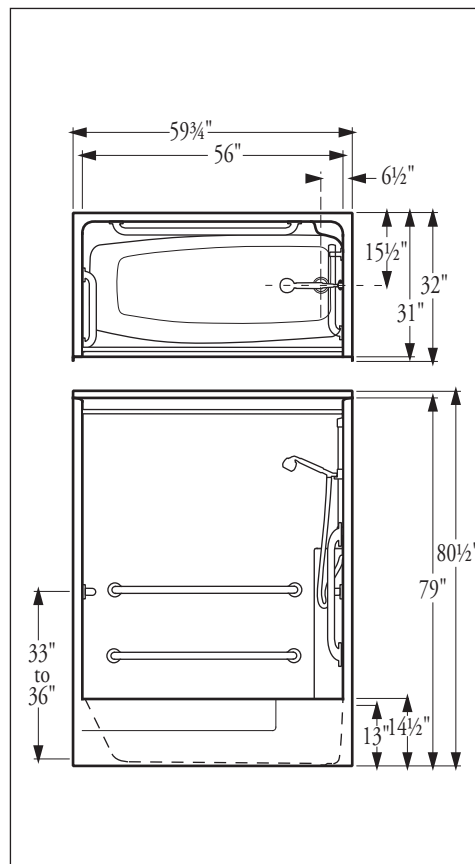
Florestone Model 60-33HTS Institutional Tub/Shower

59¾" x 32" x 80½"

Weight: 175 lbs.

Architect's Specifications

Furnish and install one-piece gel-coated shower Model 60-33HTS designed for institutional use as manufactured by Florestone Products Company. Unit to have a flame spread of 25 and a smoke density rating of 400 or less in accordance with ASTM-E84 test method. Basic shower will conform to ANSI-Z-124.1. Unit to include stainless steel curtain rod; Symmons® pressure balance mixing valve with concealed check stops; Alsons® hand-held shower head with hose and chrome-plated slide bar; stainless steel grab bars; 2 each 36", 1 each 18", 1 each 16"; molded corner soap dish.



Shower comes complete with accessories:

- Stainless steel curtain rod
- Symmons® pressure balance mixing valve
- Alsons® hand-held shower head, hose and chrome-plated slide bar
- Stainless steel grab bars: 2 each 36", 1 each 18" 1 each 16"
- Molded corner soap dish

Standards:

I.A.P.M.O. File No. 0687

ANSI-Z-124.2

ASTM-E84



 **FLORESTONE**
A Spec Above.™

FLORESTONE PRODUCTS CO., INC.

2851 Falcon Drive • Madera, CA 93637

T. 559.661.4171 • T. 800.446.8827

F. 559.661.2070 • florestone.com

**Dimensions may vary ± ¼" inch.
Please check unit before installation.**

**Dimensions subject to
change without notice.**

**Contact Florestone
Products to verify
product specifications.**



**Florestone
Model 3PC-60-33HTS
Institutional Tub/Shower**

59¾" x 32" x 80½"
Weight: 175 lbs.

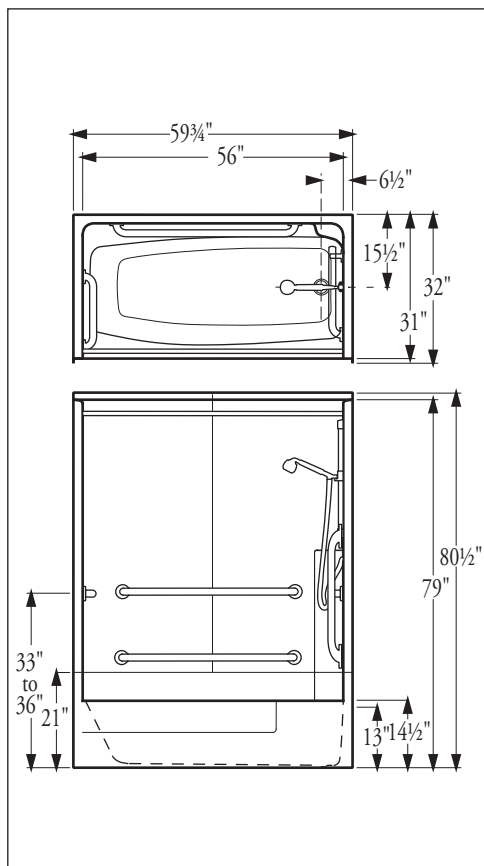
**Architect's
Specifications**

Furnish and install three-piece gel-coated shower Model 3PC-60-33HTS designed for institutional use as manufactured by Florestone Products Company. Unit to have a flame spread of 25 and a smoke density rating of 400 or less in accordance with ASTM-E84 test method. Basic shower will conform to ANSI-Z-124.1. Unit to include stainless steel curtain rod; Symmons® pressure balance mixing valve with concealed check stops; Alsons® hand-held shower head with hose and chrome-plated slide bar; stainless steel grab bars; 2 each 36", 1 each 18", 1 each 16"; molded corner soap dish.

608.3.1.2 Vertical Grab Bar. A vertical grab bar 18 inches (455 mm) minimum in length shall be provided on the control end wall 3 inches (75 mm) minimum to 6 inches (150 mm) maximum above the horizontal grab bar, and 4 inches (100 mm) maximum inward from the front edge of the shower.

Tub-Shower comes complete with accessories:

- Stainless steel curtain rod
- Symmons® pressure balance mixing valve
- Alsons® hand-held shower head, hose and chrome-plated slide bar
- Stainless steel grab bars: 2 each 36", 1 each 18" 1 each 16"
- Molded corner soap dish



**Dimensions may vary ± ¼" inch.
Please check unit before installation.**

Dimensions subject to change without notice.

Contact Florestone Products to verify product specifications.

Standards:

I.A.P.M.O. File No. 0687
ANSI-Z-124.2
ASTM-E84



FLORESTONE PRODUCTS CO., INC.

2851 Falcon Drive • Madera, CA 93637
T. 559.661.4171 • T. 800.446.8827
F. 559.661.2070 • florestone.com

**Florestone
Model 23-2HR
Barrier-Free Terrazzo
Shower Receptor**

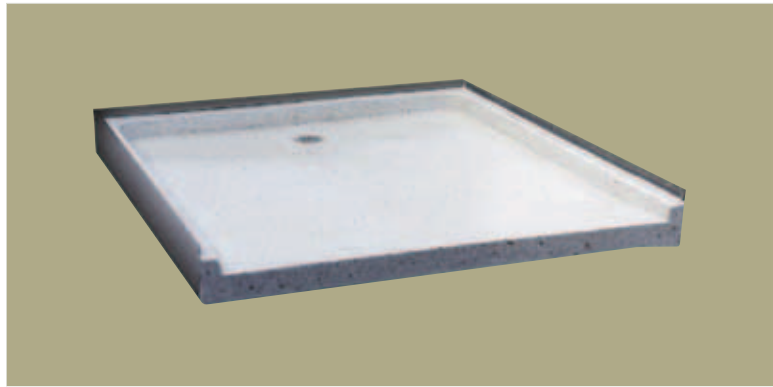
46¼" x 52" x 3"
Weight: 500 lbs.

**Architect's
Specifications**

Furnish and install wheelchair accessible terrazzo shower receptor Model 23-2HR as manufactured by Florestone Products Company. Flanges on three sides, cast integral, shall be of galvanized-bonderized steel and shall extend not less than 1" above the shoulders. Shoulders on three sides shall be not less than 2½" inside. Threshold shall be not more than ½" above receptor floor to allow for barrier free entrance. Drain body shall be brass, cast integral, and shall provide for a non-caulked connection not less than one inch deep to a 2" pipe. Removable type stainless steel strainer plate shall be supplied. Receptor shall be manufactured of tan and white marble chips cast in white Portland cement to produce a compressive strength of not less than 3,000 PSI, seven days after casting. Terrazzo surface shall be ground, polished, and the entire unit sealed to resist stains and moisture after any air holes and/or pits are grouted. Receptors reinforced with 16-gauge wire.

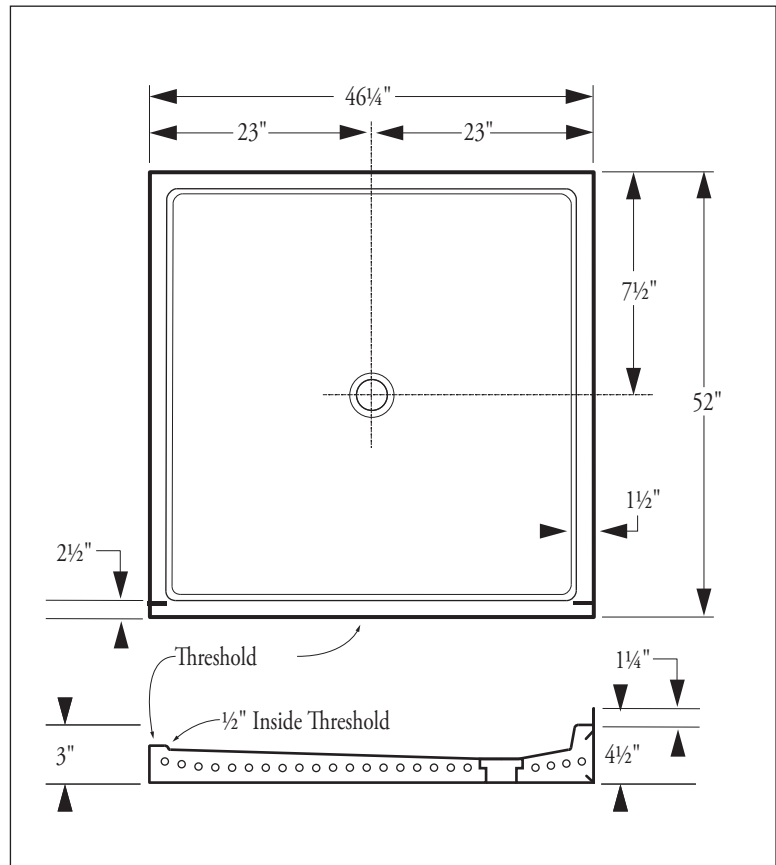
Standards:

I.A.P.M.O. File No. 0687



Model 23-2HR

Barrier free, wheelchair accessible Terrazzo Shower Receptor. Reduced threshold height for wheelchair accessibility.



**Dimensions may vary ± ¼" inch.
Please check unit before installation.**

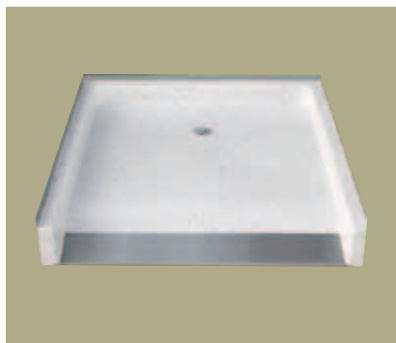
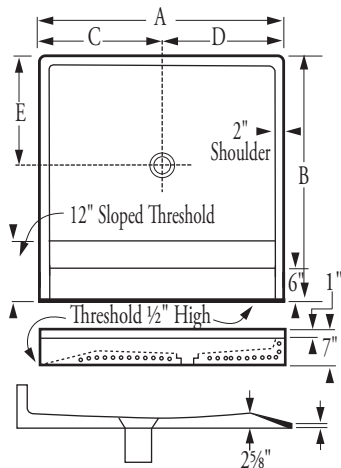
**For barrier-free installation,
contractor shall provide recess for curb in sub floor.**



FLORESTONE PRODUCTS CO., INC.

2851 Falcon Drive • Madera, CA 93637
T. 559.661.4171 • T. 800.446.8827
F. 559.661.2070 • florestone.com

Dimensions subject to change without notice.
Contact Florestone Products to verify product specifications.



Model 500
Barrier free Terrazzo Shower Receptors
with built-in stainless steel ramp.

A	B	C	D	E	HT	WT.
36"	36"	18"	18"	12"	7"	315
40"	40"	20"	20"	12"	7"	370
42"	48"	21"	21"	12"	7"	510
48"	48"	24"	24"	18"	7"	550

Note: Exterior floor drain for water run-off recommended.

Standards:

I.A.P.M.O. International Association of Plumbing & Mechanical Officials.
File No. 0687



**Florestone
Model 500 Barrier-Free
Terrazzo-Shower**



**Architect's
Specifications**

Furnish and install wheelchair accessible Terrazzo Shower Receptor Model 500 as manufactured by Florestone Products Company. Flanges on three sides, cast integral, shall be of galvanized-bonderized steel and shall extend not less than 1" above the shoulders. Shoulders on three sides shall be not less than 2½" inside. Model 500 to have integral ramp. Drain body shall be brass, cast integral, and shall provide for a non-caulked connection not less than one inch deep to a 2" pipe. Removable type stainless steel strainer plate shall be supplied. Receptor shall be manufactured of tan and white marble chips cast in white Portland cement to produce a compressive strength of not less than 3,000 PSI, seven days after casting. Terrazzo surface shall be ground, polished, and the entire unit sealed to resist stains and moisture. Receptors reinforced with 16-gauge wire.

Options

- Offset drain
- Additional flanges
- (Drawings required)

Dimensions subject to
change without notice.

Contact Florestone
Products to verify
product specifications.



FLORESTONE PRODUCTS CO., INC.

2851 Falcon Drive • Madera, CA 93637
T. 559.661.4171 • T. 800.446.8827
F. 559.661.2070 • florestone.com