



**Florestone
Model 3PC-60-33HTS
Institutional Tub/Shower**

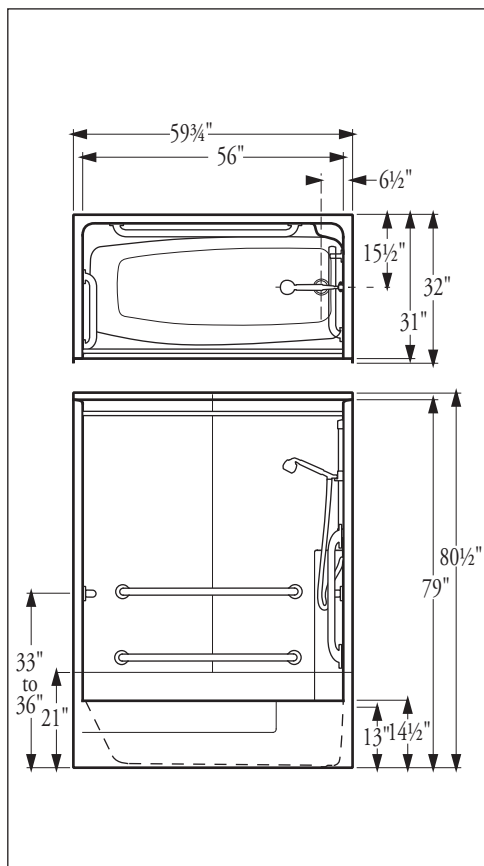
59¾" x 32" x 80½"
Weight: 175 lbs.

**Architect's
Specifications**

Furnish and install three-piece gel-coated shower Model 3PC-60-33HTS designed for institutional use as manufactured by Florestone Products Company. Basic shower will conform to ANSI-Z-124.1. Unit to include stainless steel curtain rod; Symmons® pressure balance mixing valve with concealed check stops; Moen® hand-held shower head with hose and stainless steel slide bar/grab bar; stainless steel grab bars; 2 each 36", 1 each 18", 1 each 16"; molded corner soap dish.

**Tub-Shower
comes complete
with accessories:**

- Stainless steel curtain rod
- Symmons® pressure balance mixing valve
- Moen® hand-held shower head, hose and stainless steel slide bar/grab bar
- Stainless steel grab bars: 2 each 36", 1 each 18" 1 each 16"
- Molded corner soap dish



608.3.1.2 Vertical Grab Bar. A vertical grab bar 18 inches (455 mm) minimum in length shall be provided on the control end wall 3 inches (75 mm) minimum to 6 inches (150 mm) maximum above the horizontal grab bar, and 4 inches (100 mm) maximum inward from the front edge of the shower.

Standards:

I.A.P.M.O. File No. 0687
ANSI-Z-124.2



Dimensions subject to change without notice.

Contact Florestone Products to verify product specifications.

Dimensions may vary ± ¼" inch.
Please check unit before installation.



FLORESTONE PRODUCTS CO., INC.

2851 Falcon Drive • Madera, CA 93637
T. 559.661.4171 • T. 800.446.8827
F. 559.661.2070 • florestone.com