

**Now available
RH or LH drain for
bathtub retro-fit.**

SPECIFY:
Center, Left hand
or Right hand drain
AND
Left hand or
Right hand Seat

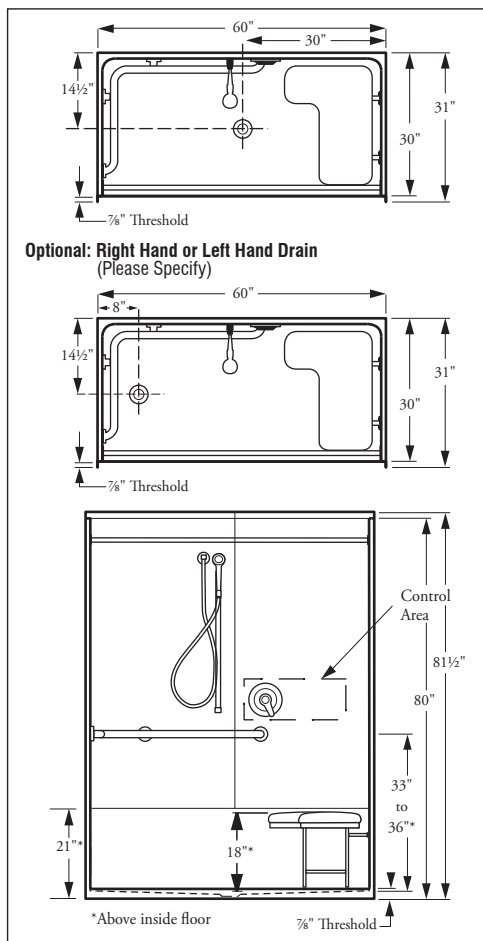


Shower comes complete with accessories:

- Stainless steel curtain rod
- Symmons® pressure balance mixing valve
- Moen® hand-held shower head, hose and stainless steel slide bar/grab bar
- Stainless steel corner grab bar
- Stainless steel recessed soap dish
- White naugahyde folding wheelchair transfer seat (specify right or left hand)
- **Optional:** Phenolic folding wheelchair transfer seat (specify right or left hand)

Dimensions subject to change without notice.

Contact Florestone Products to verify product specifications.



Dimensions may vary ± 1/4" inch. Please check unit before installation.

For barrier-free installation, contractor shall provide recess for curb in sub floor.

Note: Exterior floor drain for water run-off recommended.

Symmons® is a Registered Trade Mark of Symmons Industries, Inc.
Moen® is a Registered Trade Mark of Moen Corporation.

**Florestone
Model 3PC-32-60H
Institutional Shower**

60" x 31" x 81 1/2"
Weight: 270 lbs.

Architect's Specifications

Furnish and install three-piece gel-coated fiberglass shower stall Model 3PC-32-60H designed for barrier-free use as manufactured by Florestone Products Company. Basic shower will conform to ANSI-Z-124.2. Unit to include stainless steel curtain rod; Symmons® pressure balance mixing valve with concealed check stops; Moen® hand-held shower head with hose and stainless steel slide bar/grab bar; stainless steel corner grab bar; stainless steel recessed soap dish; white naugahyde folding wheelchair transfer seat. **When ordering please specify right or left hand seat and drain location: center, right-hand drain or left-hand drain.**

Supplied with 2" brass drain.
Shower curtain optional.
Curtain Size: 72" x 72".
Standard Color: White.
Special order colors available.

Standards:

I.A.P.M.O. File No. 0687
ANSI-Z-124.2



FLORESTONE PRODUCTS CO., INC.
2851 Falcon Drive • Madera, CA 93637
T. 559.661.4171 • T. 800.446.8827
F. 559.661.2070 • florestone.com