

**Floestone  
Model 38-60H  
Institutional Shower**

60" x 36" x 78"  
Weight: 285 lbs.

**Architect's  
Specifications**

Furnish and install one-piece gel-coated fiberglass shower stall Model 38-60H designed for barrier-free use as manufactured by Floestone Products Company. Basic shower will conform to ANSI-Z-124.2. Unit to include stainless steel curtain rod; Symmons® pressure balance mixing valve with concealed check stops; Moen® hand-held shower head with hose and stainless steel slide bar/grab bar; stainless steel corner grab bar; stainless steel recessed soap dish; white naugahyde folding wheelchair transfer seat (specify right or left hand).

Supplied with 2" brass drain.

Shower curtain optional.

Curtain Size: 72" x 72".

Standard Color: White.

Special order colors available.

**Standards:**

I.A.P.M.O. File No. 0687  
ANSI-Z-124.2

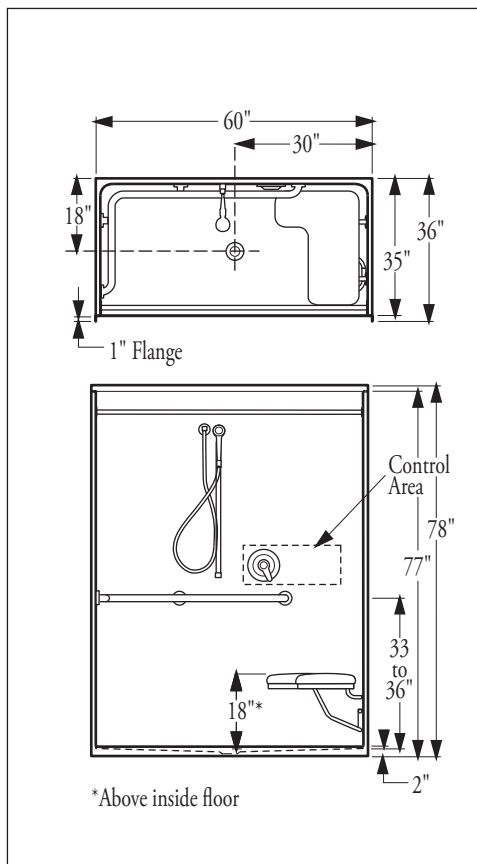


**FLORESTONE PRODUCTS CO., INC.**

2851 Falcon Drive • Madera, CA 93637

T. 559.661.4171 • T. 800.446.8827

F. 559.661.2070 • floestone.com



**Dimensions may vary ± 1/4" inch.  
Please check unit before installation.**

For barrier-free installation, contractor shall provide recess for curb in sub floor.

**Note: Exterior floor drain for water run-off recommended.**  
Symmons® is a Registered Trade Mark of Symmons Industries, Inc.  
Moen® is a Registered Trade Mark of Moen Corporation.

**Shower  
comes complete  
with accessories:**

- Stainless steel curtain rod
- Symmons® pressure balance mixing valve
- Moen® hand-held shower head, hose and stainless steel slide bar/grab bar
- Stainless steel wrap-around grab bar
- Stainless steel recessed soap dish
- White naugahyde folding wheelchair transfer seat (specify right or left hand)
- **Optional:** Phenolic folding wheelchair transfer seat (specify right or left hand)

**Dimensions subject to  
change without notice.**

**Contact Floestone  
Products to verify  
product specifications.**