



**Florestone  
Model SC  
Utility Sink**

23 $\frac{3}{8}$ " x 22 $\frac{3}{8}$ " x 34 $\frac{3}{4}$ "

SC (1/Box):  
Capacity

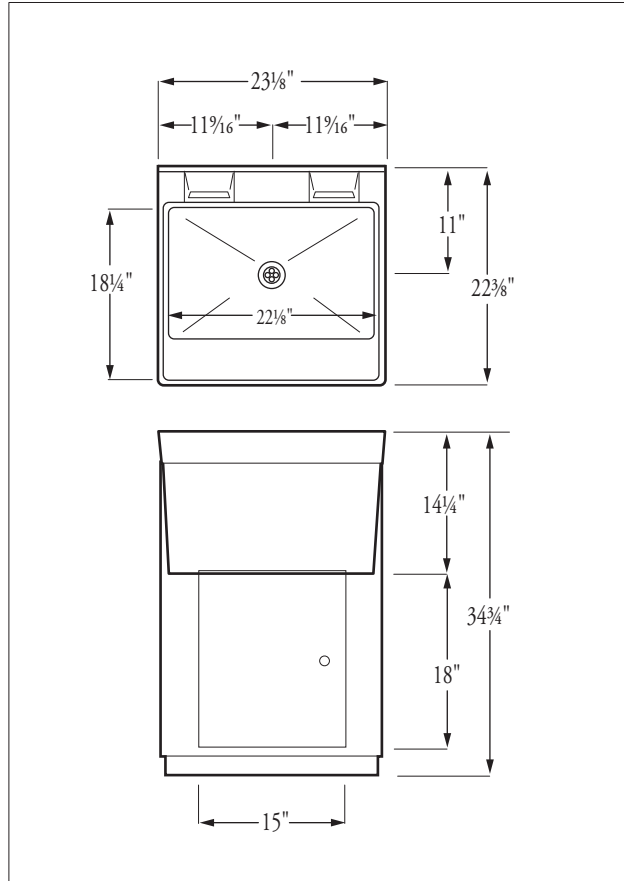
Weight:  
65 lbs.  
20 gallons

**Architect's  
Specifications**

Furnish and install Utility Sink Model SC as manufactured by Florestone Products Co. Unit to consist of utility sink and metal cabinet. Doors can be hinged for right hand or left hand opening.

Color will be white and will be resistant to fading and abrasion.

Unit to have 1 $\frac{1}{2}$ " drain opening.



Inside Tray Dimensions: 18 $\frac{1}{4}$ " x 22 $\frac{3}{8}$ "

**Standards**

I.A.P.M.O. Listed File 2647  
ANSI-Z-124.6-97

CSA Test • Warnock Hersey Listed:  
CAN/CSA-B45.0 - CAN/CSA-B45.5



**FLORESTONE PRODUCTS CO., INC.**

2851 Falcon Drive • Madera, CA 93637

T. 559.661.4171 • T. 800.446.8827

F. 559.661.2070 • florestone.com