

**Florestone
Model FMD
Utility Sink**

45⁵/₈" x 21⁵/₈" x 35¹/₂"

FMD (1/Box):
Capacity

Weight:
62 lbs.
38 gallons

**Architect's
Specifications**

Furnish and install Utility Sink Model FMD as manufactured by Florestone Products Co. Unit to have two sinks, four (4) heavy duty molded legs and the hardware to attach legs to the sinks, and drain plugs with hardware.

Color will be white and will be resistant to fading and abrasion.

Unit to have 1¹/₂" drain opening.

Optional and Accessories

FM Accessory Kit

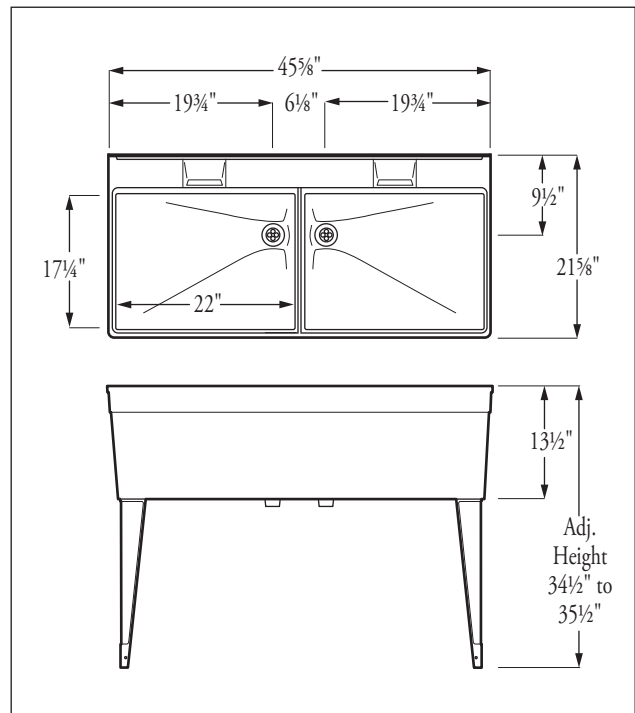
Set of Legs (4) – Heavy duty molded legs

Standards

I.A.P.M.O. Listed File 2647
ANSI-Z-124.6-97



CSA Test • Warnock Hersey Listed:
CAN/CSA-B45.0 - CAN/CSA-B45.5



Inside Tray Dimensions: 17¹/₄" x 22"



FLORESTONE PRODUCTS CO., INC.

2851 Falcon Drive • Madera, CA 93637

T. 559.661.4171 • T. 800.446.8827

F. 559.661.2070 • florestone.com