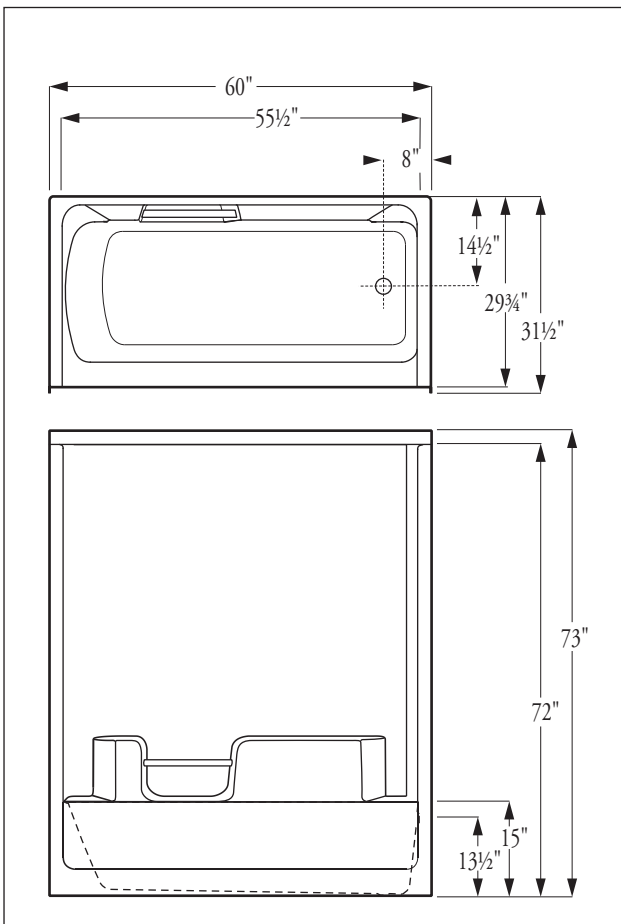




Above photo shown is a LH drain with optional grab-bar installation.



Bathing Area 53 x 21½ x 11½

**Dimensions may vary ± ¼" inch.
Please check unit before installation.**

**Florestone
Model 6034TS-3W
Tub/Shower**

60" x 31½" x 73"
Weight: 130 lbs.

**Architect's
Specifications**

Furnish and install one piece tub/shower unit Model 6034TS-3W as manufactured by Florestone Products Company. Unit to be manufactured of gel-coated fiberglass and to be supplied with slip-resistant floor laminated for extra rigidity and bonded board backing standard on all three sides for optional grab-bar installation.

Color will be white (unless otherwise specified).

Specify RH or LH drain.

Standard feature: Acrylic Towel Bar

Colors

Standard Color: White

Optional Colors: Almond, Biscuit, Bone and special Granite colors.

Color matching most major manufacturers' colors available.

Standards

I.A.P.M.O. Listed
File 0687
ANSI-Z-124.2



FLORESTONE PRODUCTS CO., INC.

2851 Falcon Drive • Madera, CA 93637

T. 559.661.4171 • T. 800.446.8827

F. 559.661.2070 • florestone.com