



**Florestone
Model 32-3W
Fiberglass Shower**

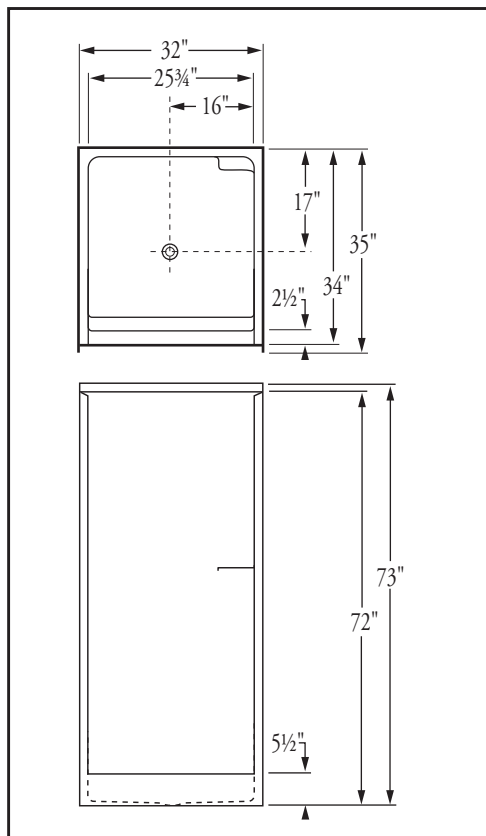
32" x 35" x 73"
Weight: 85 lbs.

**Architect's
Specifications**

Furnish and install one piece shower unit Model 32-3W as manufactured by Florestone Products Company. Unit to be manufactured of gel-coated fiberglass meeting Class C Flame Retardance and to be supplied with slip-resistant floor laminated for extra rigidity. Color will be white (unless otherwise specified).

Unit to be supplied with 2" PNC non-caulk drain.

Standard Color: White.



Note:
Does not meet I.A.P.M.O. minimum size requirements. Check local codes.

Optional Colors

Colors matching most major manufacturers' colors are available.

Standards

ANSI-Z-124.2



FLORESTONE PRODUCTS CO., INC.

2851 Falcon Drive • Madera, CA 93637

T. 559.661.4171 • T. 800.446.8827

F. 559.661.2070 • florestone.com

**Dimensions may vary ± 1/4" inch.
Please check unit before installation.**

**Florestone
Model 36-Corner
Fiberglass Shower**

37" x 37" x 73"
Weight: 100 lbs.

**Architect's
Specifications**

Furnish and install one piece shower unit Model 36-CORNER as manufactured by Florestone Products Company. Unit to be manufactured of gel-coated fiberglass meeting Class C Flame Retardance and to be supplied with slip-resistant floor laminated for extra rigidity. Color will be white (unless otherwise specified).

Unit to be supplied with 2" PNC non-caulk drain.

Standard Color: White.

Optional Colors

Colors matching most major manufacturers' colors are available.

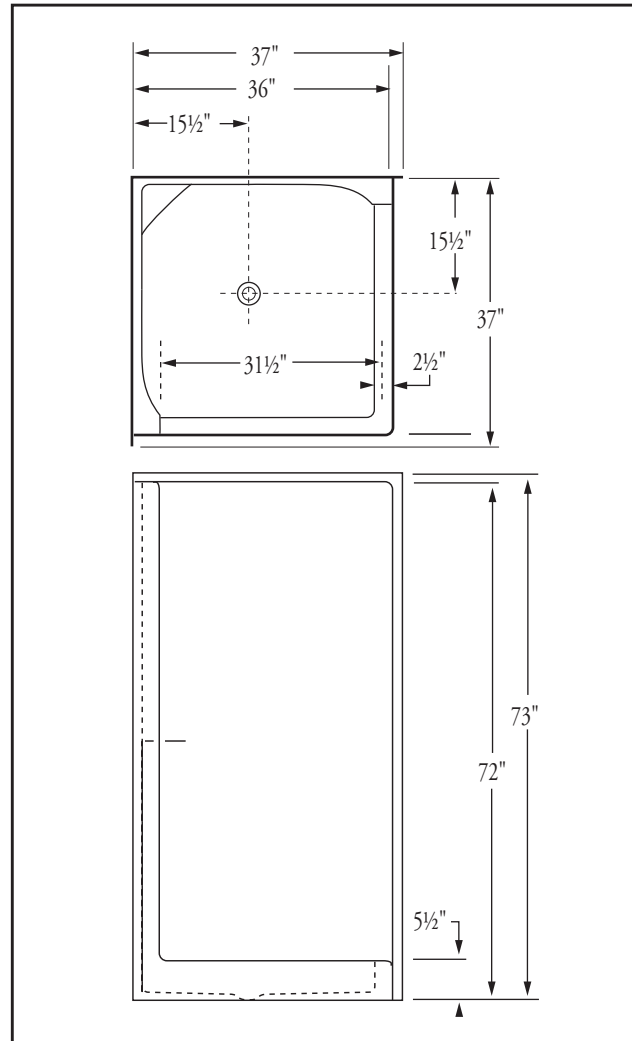
Standards:

I.A.P.M.O. Listed
File 0687
ANSI-Z-124.2



FLORESTONE PRODUCTS CO., INC.

2851 Falcon Drive • Madera, CA 93637
T. 559.661.4171 • T. 800.446.8827
F. 559.661.2070 • florestone.com



**Dimensions may vary ± 1/4" inch.
Please check unit before installation.**



**Florestone
Model 36-3W
Fiberglass Shower**

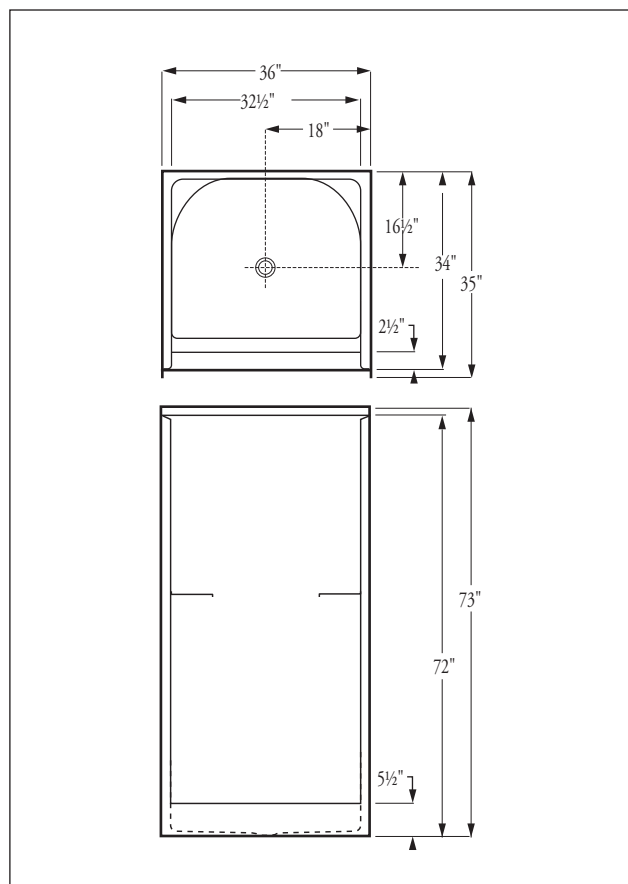
36" x 35" x 73"
Weight: 95 lbs.

**Architect's
Specifications**

Furnish and install one piece shower unit Model 36-3W as manufactured by Florestone Products Company. Unit to be manufactured of gel-coated fiberglass meeting Class C Flame Retardance and to be supplied with slip-resistant floor laminated for extra rigidity. Color will be white (unless otherwise specified).

Unit to be supplied with 2" PNC non-caulk drain.

Standard color: White.



**Dimensions may vary ± 1/4" inch.
Please check unit before installation.**

Optional Colors

Colors matching most major manufacturers' colors are available.

Standards

I.A.P.M.O. Listed
File 0687
ANSI-Z-124.2



FLORESTONE PRODUCTS CO., INC.

2851 Falcon Drive • Madera, CA 93637
T. 559.661.4171 • T. 800.446.8827
F. 559.661.2070 • florestone.com

**Florestone
Model 36-3WTB
Fiberglass Shower**

36" x 37½" x 73"
Weight: 100 lbs.

**Architect's
Specifications**

Furnish and install one piece shower unit Model 36-3WTB as manufactured by Florestone Products Company. Unit to be manufactured of gel-coated fiberglass meeting Class C Flame Retardance and to be supplied with slip-resistant floor laminated for extra rigidity. Color will be white (unless otherwise specified).

Unit to be supplied with 2" PNC non-caulk drain.

Standard Color: White.



Optional Colors

Colors matching most major manufacturers' colors are available.

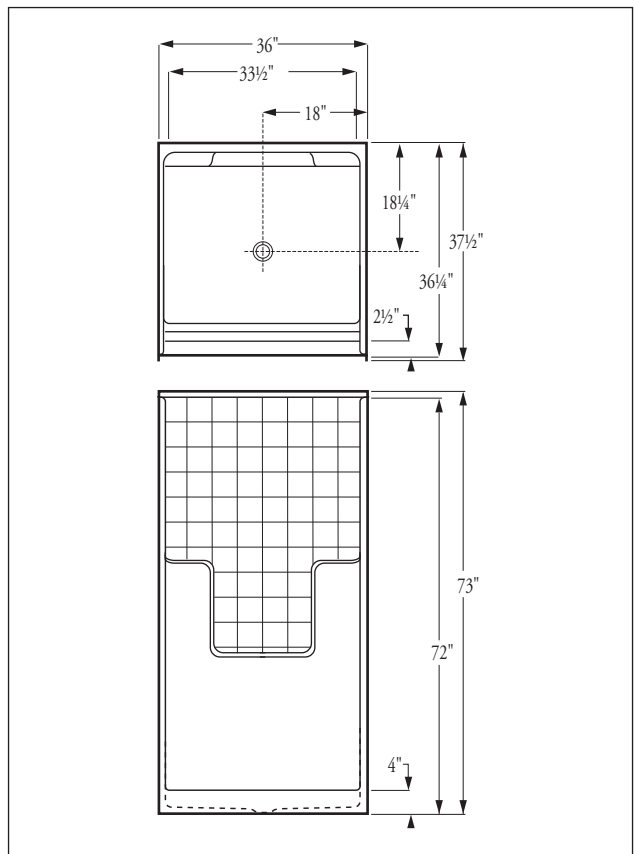
Standards:

I.A.P.M.O. Listed
File 0687
ANSI-Z-124.2



FLORESTONE PRODUCTS CO., INC.

2851 Falcon Drive • Madera, CA 93637
T. 559.661.4171 • T. 800.446.8827
F. 559.661.2070 • florestone.com



**Dimensions may vary ± 1/4" inch.
Please check unit before installation.**



**Florestone
Model 38 NEO
Fiberglass Shower**
(36 NEO Available - See Page 13)

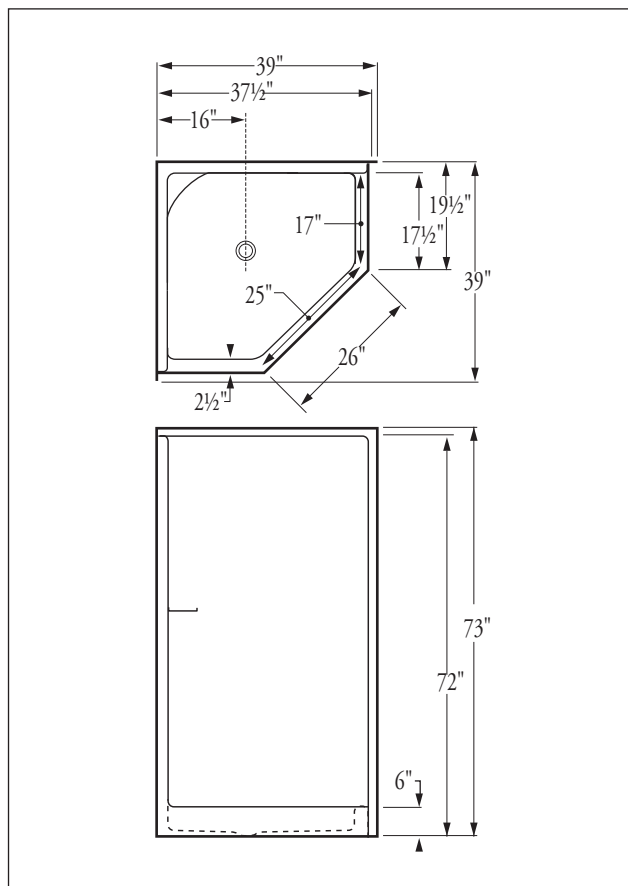
39" x 39" x 73"
Weight: 102 lbs.

**Architect's
Specifications**

Furnish and install one piece shower unit Model 38-NEO as manufactured by Florestone Products Company. Unit to be manufactured of gel-coated fiberglass meeting Class C Flame Retardance and to be supplied with slip-resistant floor laminated for extra rigidity. Color will be white (unless otherwise specified).

Unit to be supplied with 2" PNC non-caulk drain.

Standard color: White.



**Dimensions may vary \pm 1/4" inch.
Please check unit before installation.**

Optional Colors

Colors matching most major manufacturers' colors are available.

Standards

I.A.P.M.O. Listed
File 0687
ANSI-Z-124.2



FLORESTONE PRODUCTS CO., INC.

2851 Falcon Drive • Madera, CA 93637
T. 559.661.4171 • T. 800.446.8827
F. 559.661.2070 • florestone.com

**Florestone
Model 38-NEO TB
Fiberglass Shower**

39" x 39" x 73"
Weight: 102 lbs.

**Architect's
Specifications**

Furnish and install one piece shower unit Model 38-NEO TB as manufactured by Florestone Products Company. Unit to be manufactured of gel-coated fiberglass meeting Class C Flame Retardance and to be supplied with slip-resistant floor laminated for extra rigidity. Color will be white (unless otherwise specified).

Unit to be supplied with 2" PNC non-caulk drain.

Standard Color: White.

Optional Colors

Colors matching most major manufacturers' colors are available.

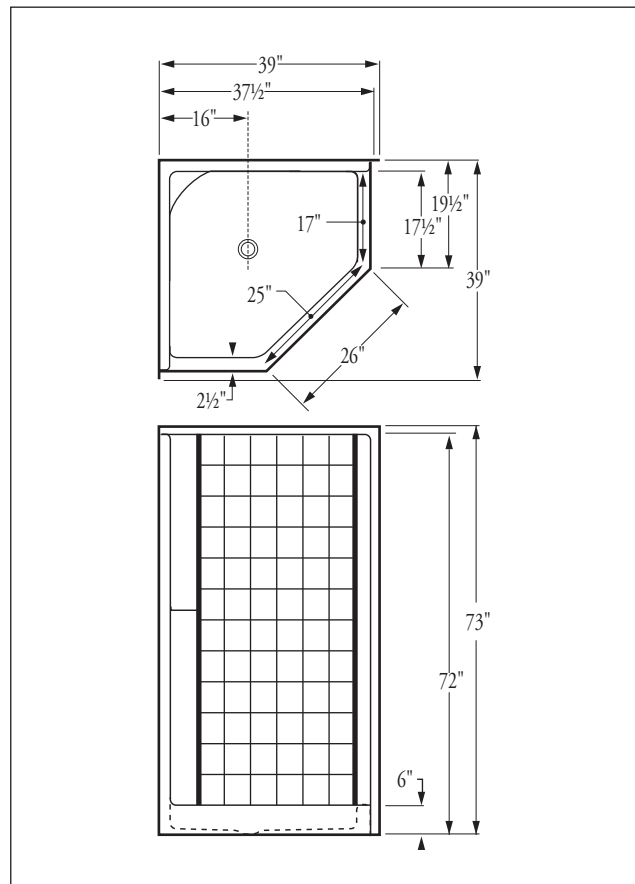
Standards:

I.A.P.M.O. Listed
File 0687
ANSI-Z-124.2



FLORESTONE PRODUCTS CO., INC.

2851 Falcon Drive • Madera, CA 93637
T. 559.661.4171 • T. 800.446.8827
F. 559.661.2070 • florestone.com



**Dimensions may vary ± 1/4" inch.
Please check unit before installation.**



**Florestone
Model 42-3W
Fiberglass Shower**

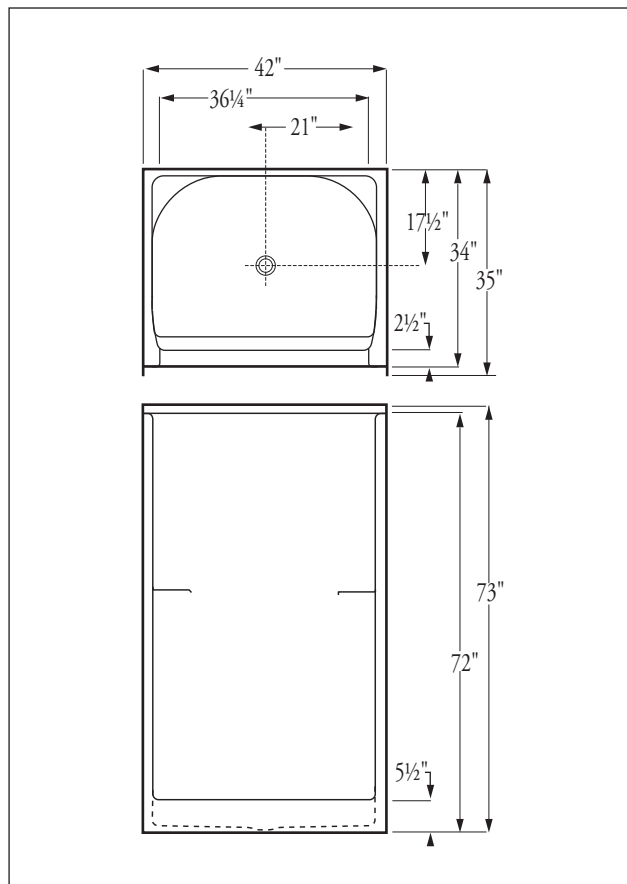
42" x 35" x 73"
Weight: 100 lbs.

**Architect's
Specifications**

Furnish and install one piece shower unit Model 42-3W as manufactured by Florestone Products Company. Unit to be manufactured of gel-coated fiberglass meeting Class C Flame Retardance and to be supplied with slip-resistant floor laminated for extra rigidity. Color will be white (unless otherwise specified).

Unit to be supplied with 2" PNC non-caulk drain.

Standard Color: White



**Dimensions may vary \pm 1/4" inch.
Please check unit before installation.**

Optional Colors

Colors matching most major manufacturers' colors are available.

Standards

I.A.P.M.O. Listed
File 0687
ANSI-Z-124.2



FLORESTONE PRODUCTS CO., INC.

2851 Falcon Drive • Madera, CA 93637
T. 559.661.4171 • T. 800.446.8827
F. 559.661.2070 • florestone.com

**Florestone
Model 42-3WTB
Fiberglass Shower**

42 1/8" x 37 1/2" x 73"
Weight: 105 lbs.

**Architect's
Specifications**

Furnish and install one piece shower unit Model 42-3WTB as manufactured by Florestone Products Company. Unit to be manufactured of gel-coated fiberglass meeting Class C Flame Retardance and to be supplied with slip-resistant floor laminated for extra rigidity. Color will be white (unless otherwise specified).

Unit to be supplied with 2" PNC non-caulk drain.



Optional Colors

Colors matching most major manufacturers' colors are available.

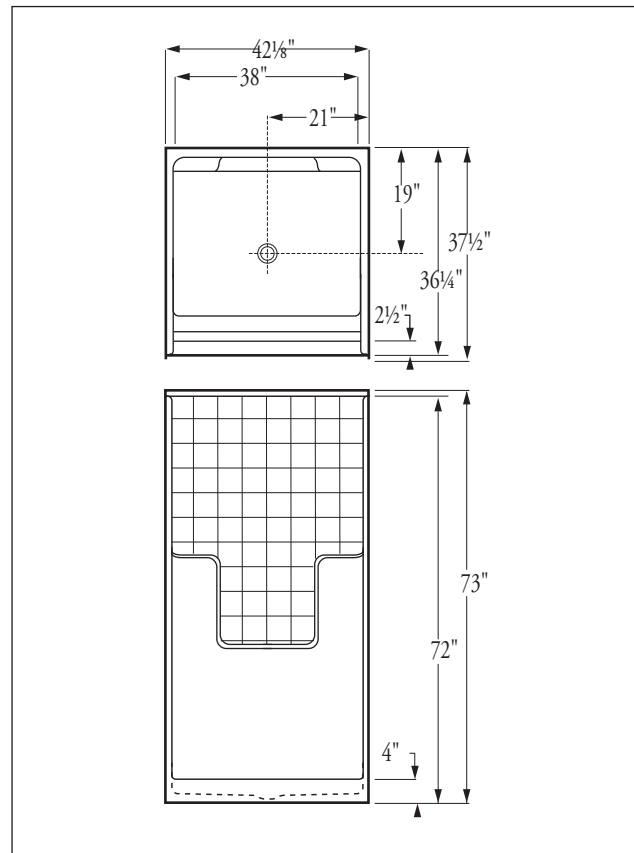
Standards:

I.A.P.M.O. Listed
File 0687
ANSI-Z-124.2



FLORESTONE PRODUCTS CO., INC.

2851 Falcon Drive • Madera, CA 93637
T. 559.661.4171 • T. 800.446.8827
F. 559.661.2070 • florestone.com



**Dimensions may vary ± 1/4" inch.
Please check unit before installation.**



**Florestone
Model 48-3W
Fiberglass Shower**

48" x 35" x 73½"

Weight: 105 lbs.

**Architect's
Specifications**

Furnish and install one piece shower unit Model 48-3W as manufactured by Florestone Products Company. Unit to be manufactured of gel-coated fiberglass meeting Class C Flame Retardance and to be supplied with slip-resistant floor laminated for extra rigidity. Color will be white (unless otherwise specified).

Unit to be supplied with 2" PNC non-caulk drain.

Specify right hand or left hand seat.

Standard Color: White

Standard Features: Molded-In Seat

Optional Colors

Colors matching most major manufacturers' colors are available.

Standards

I.A.P.M.O. Listed
File 0687
ANSI-Z-124.2

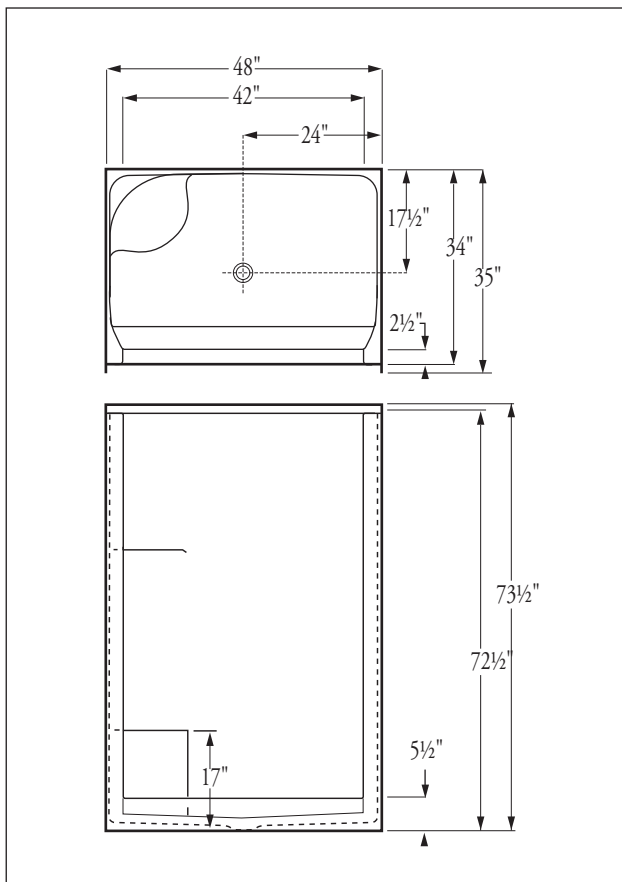


FLORESTONE PRODUCTS CO., INC.

2851 Falcon Drive • Madera, CA 93637

T. 559.661.4171 • T. 800.446.8827

F. 559.661.2070 • florestone.com



**Dimensions may vary ± ¼" inch.
Please check unit before installation.**

**Florestone
Model 48-3WTB
Fiberglass Shower**

48 1/4" x 38" x 73"

Weight: 120 lbs.

**Architect's
Specifications**

Furnish and install one piece shower unit Model 48-3WTB as manufactured by Florestone Products Company. Unit to be manufactured of gel-coated fiberglass meeting Class C Flame Retardance and to be supplied with slip-resistant floor laminated for extra rigidity. Color will be white (unless otherwise specified).

Unit to be supplied with 2" PNC

non-caulk drain.

Standard Color: White

Standard Features: Two Molded-In Seats
Acrylic Towel Bar

Optional Colors

Colors matching most major manufacturers' colors are available.

Standards:

I.A.P.M.O. Listed

File 0687

ANSI-Z-124.2

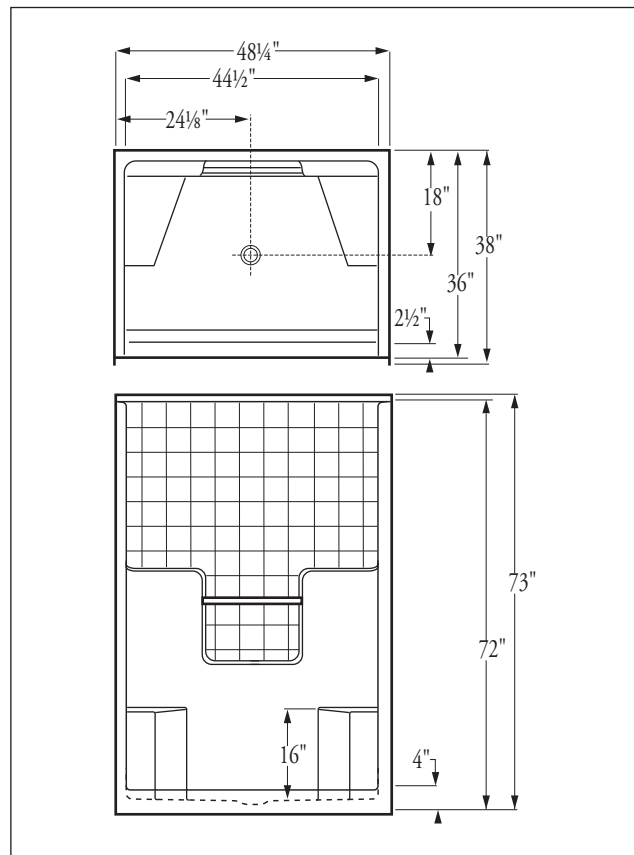


FLORESTONE PRODUCTS CO., INC.

2851 Falcon Drive • Madera, CA 93637

T. 559.661.4171 • T. 800.446.8827

F. 559.661.2070 • florestone.com



**Dimensions may vary ± 1/4" inch.
Please check unit before installation.**



**Florestone
Model 54-3W
Fiberglass Shower**

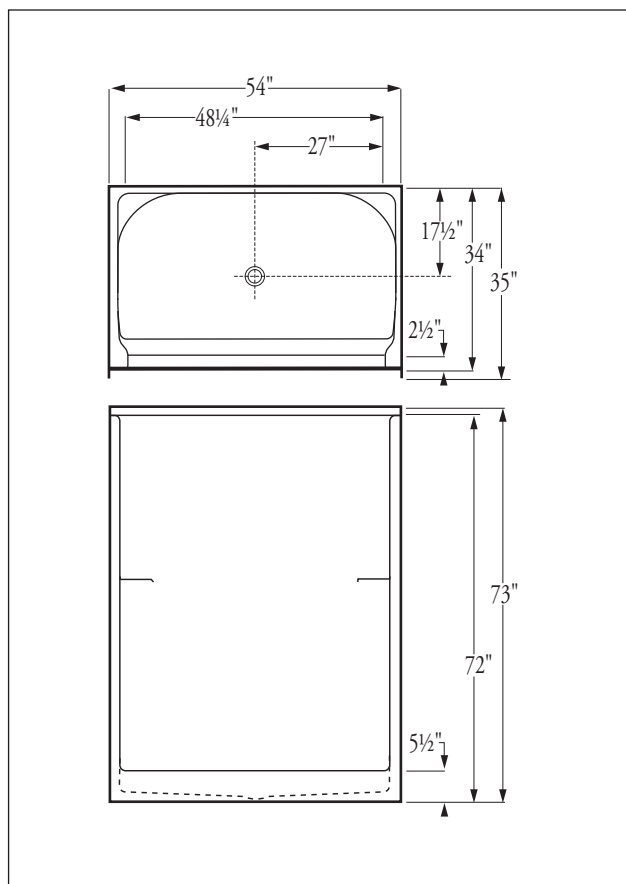
54" x 35" x 73"
Weight: 108 lbs.

**Architect's
Specifications**

Furnish and install one piece shower unit Model 54-3W as manufactured by Florestone Products Company. Unit to be manufactured of gel-coated fiberglass meeting Class C Flame Retardance and to be supplied with slip-resistant floor laminated for extra rigidity. Color will be white (unless otherwise specified).

Unit to be supplied with 2" PNC non-caulk drain.

Standard Color: White



**Dimensions may vary ± 1/4" inch.
Please check unit before installation.**

Optional Colors

Colors matching most major manufacturers' colors are available.

Standards

I.A.P.M.O. Listed
File 0687
ANSI-Z-124.2



FLORESTONE PRODUCTS CO., INC.

2851 Falcon Drive • Madera, CA 93637
T. 559.661.4171 • T. 800.446.8827
F. 559.661.2070 • florestone.com

**Florestone
Model 36-NEO
Fiberglass Shower**

37½" x 37½" x 73"

Weight: 93 lbs.

**Architect's
Specifications**

Furnish and install one piece shower unit Model 36-NEO as manufactured by Florestone Products Company. Unit to be manufactured of gel-coated fiberglass meeting Class C Flame Retardance and to be supplied with slip-resistant floor laminated for extra rigidity. Color will be white (unless otherwise specified).

Unit to be supplied with 2" PNC non-caulk drain.

Standard color: White.

Optional Colors

Colors matching most major manufacturers' colors are available.

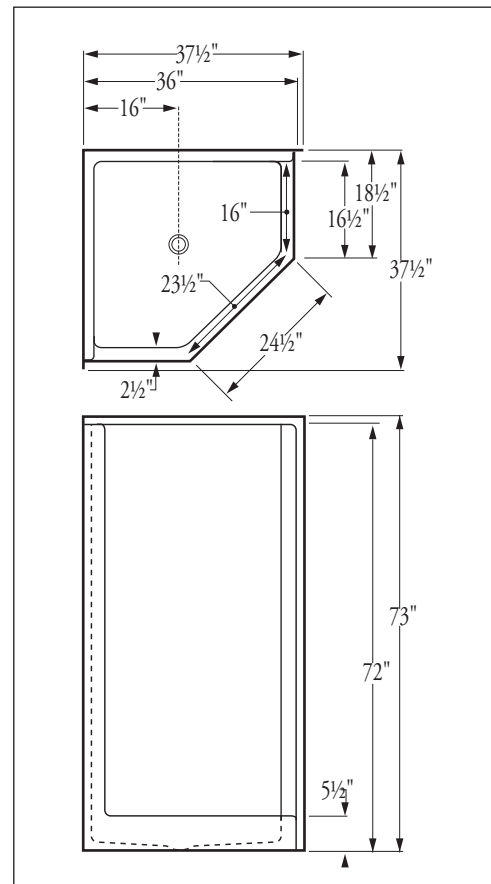
Standards:

ANSI-Z-124.2



Note:

Does not meet I.A.P.M.O. minimum size requirements. Check local codes.



FLORESTONE PRODUCTS CO., INC.

2851 Falcon Drive • Madera, CA 93637

T. 559.661.4171 • T. 800.446.8827

F. 559.661.2070 • florestone.com

**Dimensions may vary ± ¼" inch.
Please check unit before installation.**



**Florestone
Model 60-3W
Fiberglass Shower**

60" x 35" x 73"
Weight: 125 lbs.

**Architect's
Specifications**

Furnish and install one piece shower unit Model 60-3W as manufactured by Florestone Products Company. Unit to be manufactured of gel-coated fiberglass meeting Class C Flame Retardance and to be supplied with slip-resistant floor laminated for extra rigidity. Color will be white (unless otherwise specified).

Unit to be supplied with 2" PNC non-caulk drain.

Specify right hand or left hand seat.

Standard Color: White

Standard Features: Molded-In Seat

Optional Colors

Colors matching most major manufacturers' colors are available.

Standards

I.A.P.M.O. Listed
File 0687
ANSI-Z-124.2

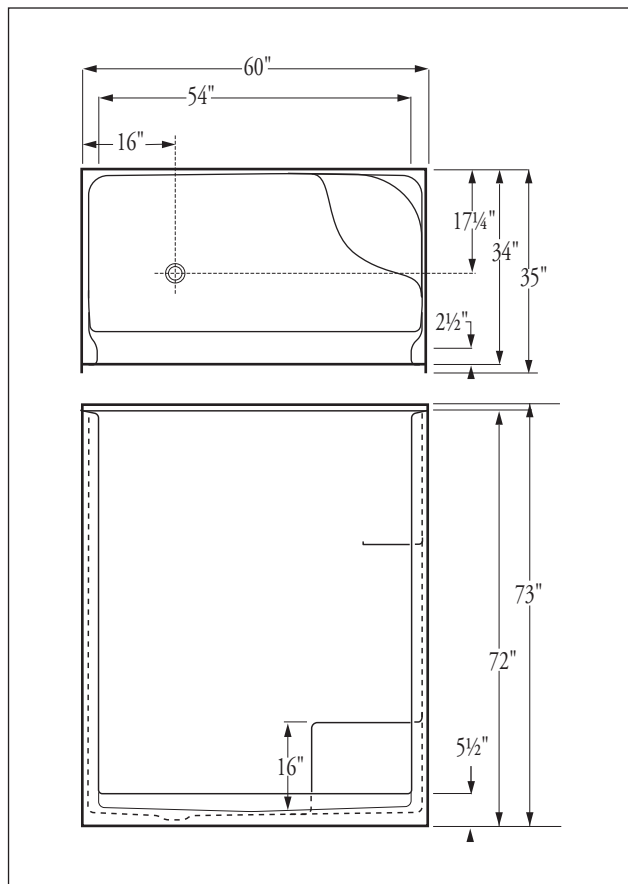


FLORESTONE PRODUCTS CO., INC.

2851 Falcon Drive • Madera, CA 93637

T. 559.661.4171 • T. 800.446.8827

F. 559.661.2070 • florestone.com



**Dimensions may vary ± 1/4" inch.
Please check unit before installation.**

**Florestone
Model 60-3WTB
Fiberglass Shower**

60" x 35" x 72³/₄"
Weight: 150 lbs.

**Architect's
Specifications**

Furnish and install one piece shower unit Model 60-3WTB as manufactured by Florestone Products Company. Unit to be manufactured of gel-coated fiberglass meeting Class C Flame Retardance and to be supplied with slip-resistant floor laminated for extra rigidity. Color will be white (unless otherwise specified).

Unit to be supplied with 2" PNC non-caulk drain.

Standard Color: White

Standard Features: Two Molded-In Seats
Acrylic Towel Bar

Optional Colors

Colors matching most major manufacturers' colors are available.

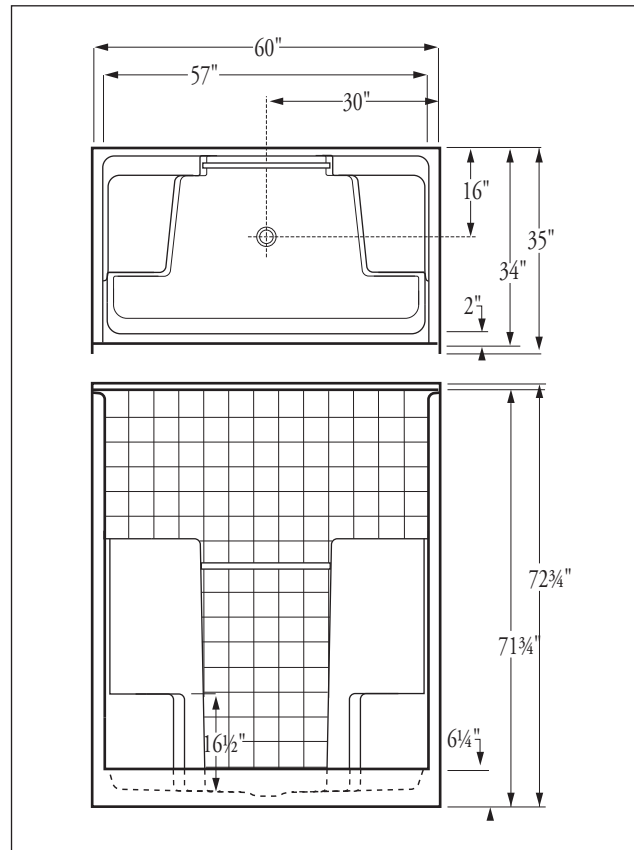
Standards:

I.A.P.M.O. Listed
File 0687
ANSI-Z-124.2



FLORESTONE PRODUCTS CO., INC.

2851 Falcon Drive • Madera, CA 93637
T. 559.661.4171 • T. 800.446.8827
F. 559.661.2070 • florestone.com



**Dimensions may vary ± 1/4" inch.
Please check unit before installation.**



**Florestone
Model 3938TS-3W
Fiberglass Shower**

38" x 39" x 89"
Weight: 150 lbs.

**Architect's
Specifications**

Furnish and install one piece shower unit Model 3938TS-3W as manufactured by Florestone Products Company. Unit to be manufactured of gel-coated fiberglass meeting Class C Flame Retardance and to be supplied with slip-resistant floor laminated for extra rigidity. Color will be white (unless otherwise specified).

Unit to be supplied with 2" PNC non-caulk drain.

Standard Color: White

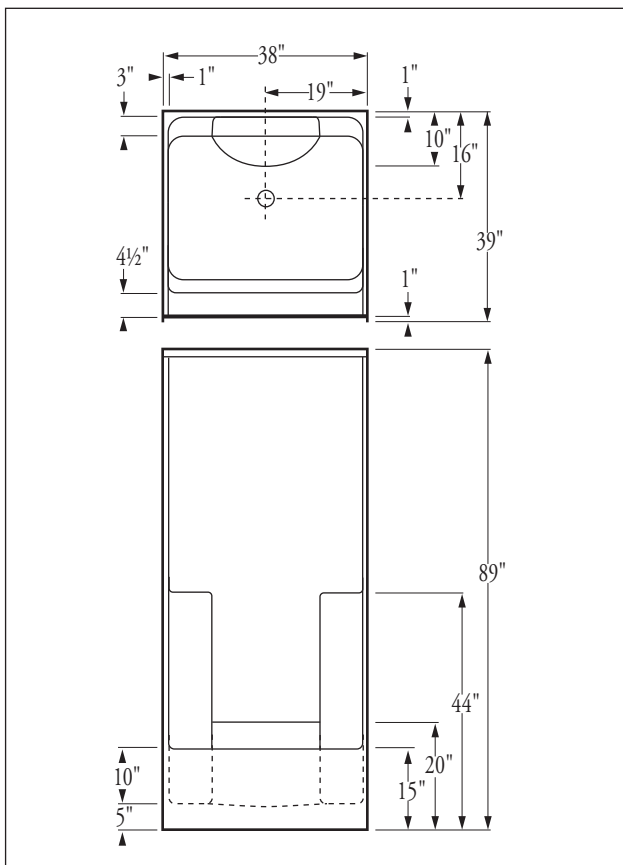
Standard Feature: Two molded-in soap dishes

Optional Colors

Colors matching most major manufacturers' colors are available.

Standards

ANSI-Z-124.2



**Dimensions may vary $\pm 1/4$ " inch.
Please check unit before installation.**



FLORESTONE PRODUCTS CO., INC.

2851 Falcon Drive • Madera, CA 93637

T. 559.661.4171 • T. 800.446.8827

F. 559.661.2070 • florestone.com