



**Florestone
Model 38 NEO
Fiberglass Shower**
(36 NEO Available - See Page 13)

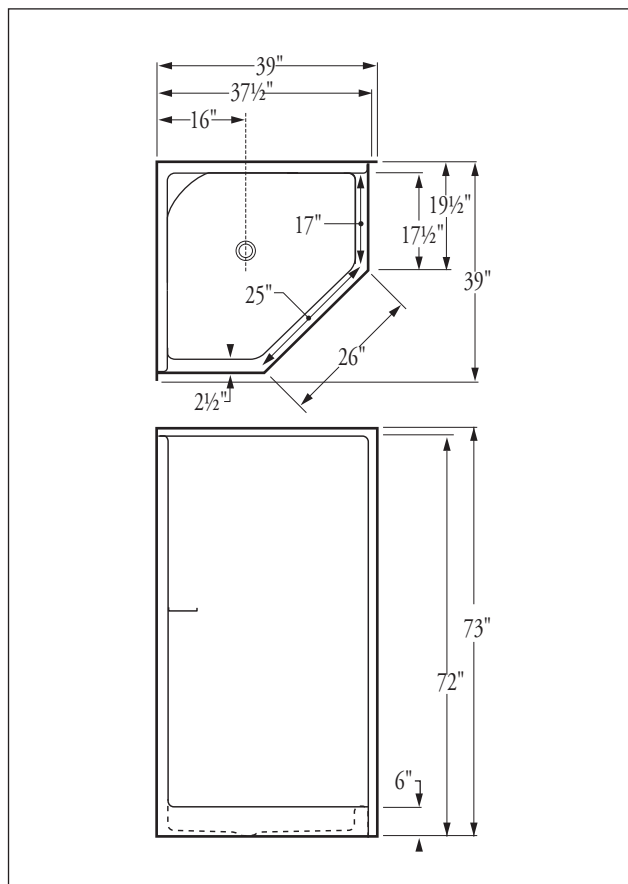
39" x 39" x 73"
Weight: 102 lbs.

**Architect's
Specifications**

Furnish and install one piece shower unit Model 38-NEO as manufactured by Florestone Products Company. Unit to be manufactured of gel-coated fiberglass meeting Class C Flame Retardance and to be supplied with slip-resistant floor laminated for extra rigidity. Color will be white (unless otherwise specified).

Unit to be supplied with 2" PNC non-caulk drain.

Standard color: White.



**Dimensions may vary \pm 1/4" inch.
Please check unit before installation.**

Optional Colors

Colors matching most major manufacturers' colors are available.

Standards

I.A.P.M.O. Listed
File 0687
ANSI-Z-124.2



FLORESTONE PRODUCTS CO., INC.

2851 Falcon Drive • Madera, CA 93637
T. 559.661.4171 • T. 800.446.8827
F. 559.661.2070 • florestone.com