

**Molded Fiberglass
Model 3060F-BF
Barrier-Free
Shower Receptor**

60" x 30"
Weight: 40 lbs.

**Architect's
Specifications**

Furnish and install one piece, barrier-free shower unit Model 3060F-BF as manufactured by Florestone Products Company. Unit to be manufactured of gel-coated fiberglass meeting Class C Flame Retardance and to be supplied with slip-resistant floor laminated for extra rigidity. Color will be white (unless otherwise specified). Unit to be supplied with a 2" PNC non-caulk drain.

Standard Color: White

Optional Colors

Color matching most major manufacturers' colors are available.

Colors

Standard: White, Bone, Biscuit

Special: Granite (see pg. 12)

**Dimensions may vary ± 1/4" inch.
Please check unit before installation.**

**Place receptor on a bed of mortar or
plaster for warranty compliance.**



FLORESTONE PRODUCTS CO., INC.

2851 Falcon Drive • Madera, CA 93637

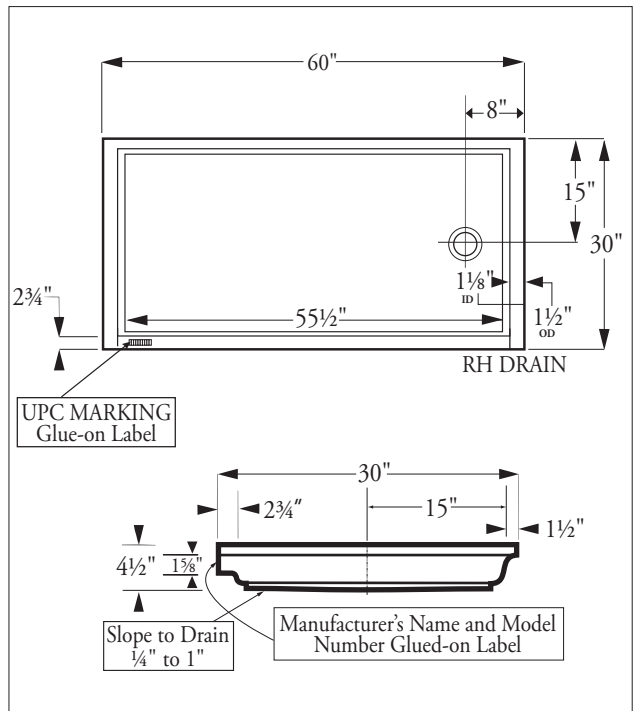
T. 559.661.4171 • T. 800.446.8827

F. 559.661.2070 • florestone.com



One piece, single threshold model for recessed installation. Features 1" flange on three remaining sides. End drain.

Specify RH or LH Drain



**Dimensions subject to change without notice.
Contact Florestone Products to
verify product specifications.**

Standards:

I.A.P.M.O. International Association of Plumbing and Mechanical Officials
File No. 0687.

ANSI American National Standards Institute - Specifications Z-124.2.

