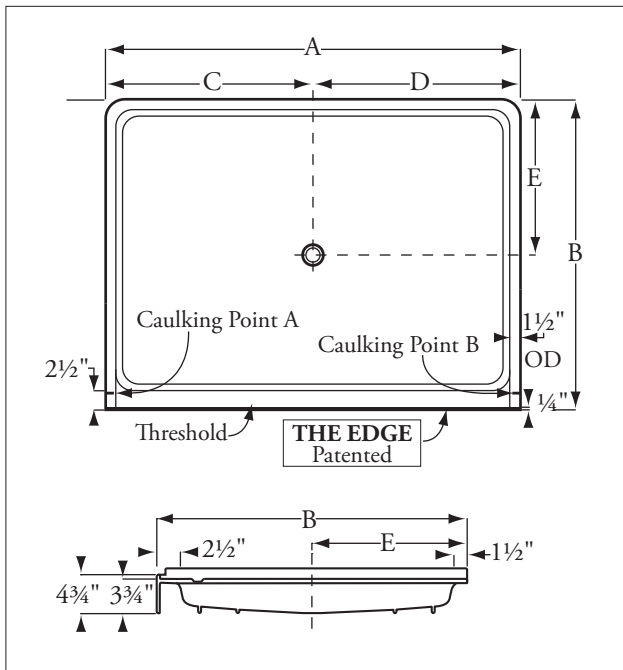




One piece, single threshold model for recessed installation. Features 1" flange on three remaining sides. Center drain.



Model	A	B	C	D	E	WT.
3672F	72 1/4"	36"	36 1/8"	36 1/8"	18"	80
3860F	60 1/4"	38"	30 1/8"	30 1/8"	19"	75
4260F	60 1/4"	41 1/2"	30"	30"	20 3/4"	80
4272F	72 1/4"	42"	36 1/8"	36 1/8"	21"	104
4860F	60 1/4"	48"	30 1/8"	30 1/8"	24"	90
4872F	72 1/4"	48"	36 1/8"	36 1/8"	24"	116
6042F	42 1/4"	60"	21 1/8"	21 1/8"	30"	80
6060F	60 1/4"	60"	30 1/8"	30 1/8"	30"	116

**Standards:**

I.A.P.M.O. International Association of Plumbing and Mechanical Officials  
File No. 0687.  
ANSI American National Standards Institute - Specifications Z-124.2.



**Florestone  
Grand Luxury Line  
Shower Receptors  
with THE EDGE**

**Architect's  
Specifications**

Furnish and install molded fiberglass one piece shower unit manufactured by Florestone Products Company. Unit to be manufactured of gel-coated fiberglass and to be supplied with slip-resistant floor laminated for extra rigidity. Color will be white (unless otherwise specified). Unit to be supplied with a 2" PNC non-caulk drain

**Colors**

Standard Color: White  
Optional Colors: Almond, Biscuit, Bone and Special Granite Colors.  
Color matching most major manufacturers' colors available.

**Accessories**

Strainer, Chrome  
Strainer, Plastic  
Repair Kit.

**Dimensions may vary ± 1/4" inch.  
Please check unit before installation.  
Place receptor on a bed of mortar or  
plaster for warranty compliance.**

**Dimensions subject to  
change without notice.  
Contact Florestone Products to  
verify product specifications.**



**FLORESTONE PRODUCTS CO., INC.**

2851 Falcon Drive • Madera, CA 93637  
T. 559.661.4171 • T. 800.446.8827  
F. 559.661.2070 • florestone.com