

Florestone Fiberglass Custom Baths Features



QUALITY YOU CAN TRUST.

Since 1947, Florestone Products Company has built a reputation based on product quality, ease of installation and reliability. Today we serve contractors, engineers, specifiers, architects and builders with products, service and distribution nationwide. The manufacturing methods, craftsmanship and attention to detail of Florestone Fiberglass Showers are second to none.

WIDE VARIETY OF SIZES AND STYLES.

From the 60" x 37" Diana to the 60" x 40" Pegasus, you get a wide choice of models, sizes and styles. Many models are available in island and as well as apron styles.

Florestone Custom Baths meet or exceed the requirements of the Uniform Plumbing Code (Listed No. 1595), FHA, HUD Specifications, ANSI Standard Z-124.1. They comply with the National Fire Protection Association Code tested with the ASTM-84 test method. Florestone factory-installed hydromassage systems are listed under UL (Underwriters Laboratories) No. 6J37.

MANY COLORS AND OPTIONS.

White is standard color on fiberglass custom baths. As an option, custom baths are available in most major manufacturers' colors.



FLORESTONE PRODUCTS CO., INC.

2851 Falcon Drive • Madera, CA 93637
T. 559.661.4171 • T. 800.446.8827
F. 559.661.2070 • florestone.com

*Note on Code Compliance

Since local codes and regulation vary, Florestone Products will not be responsible for code compliance. Please check with your local city and county building departments for specific regulations or restrictions before ordering.

Florestone Fiberglass Custom Baths Installation Instructions

**Dimensions may vary \pm 1/4" inch—
check unit before installation.**

Some one-piece Florestone units are too large to pass through doorways. Make sure the unit is in the installation area before framing is completed.

CAUTION – UNITS WITH WHIRLPOOL SYSTEM:

- Examine all plumbing for damage prior to installation.
- Alterations or modifications will void all warranty claims.
- Installation must comply with current local and state building, plumbing, and electrical codes. It is the responsibility of the installer or owner to determine code requirements prior to installation.
- Do not lift tub by plumbing. Lift only by the shell.
- Tub must be supported by subfloor and bedding, not by the tub lip.
- Building codes require that an access panel be constructed in order to allow ample clearance for pump service and removal.
- We suggest a minimum 17"x 17" panel.
- Never run your whirlpool without a minimum water level of two inches (2") above jets.

CUTOUT OPENING SHOULD BE ONE INCH (1") SMALLER THAN THE LENGTH AND WIDTH OF THE TUB.

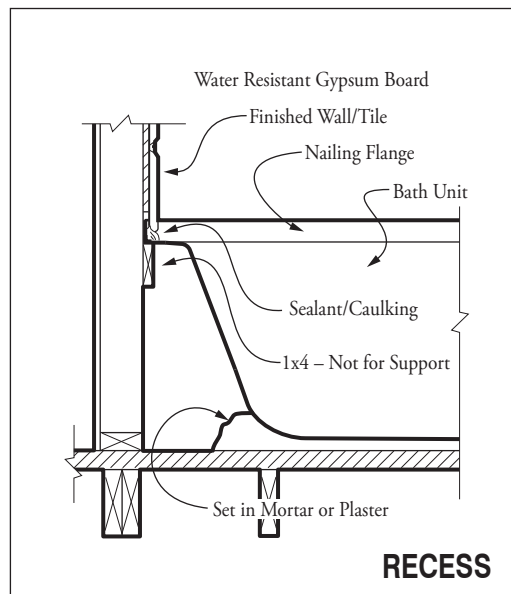
Note: Tub should be supported by the subfloor—not by the rim of the tub.

CAULK

Caulk all openings around valves and outlets with a silicone caulking.

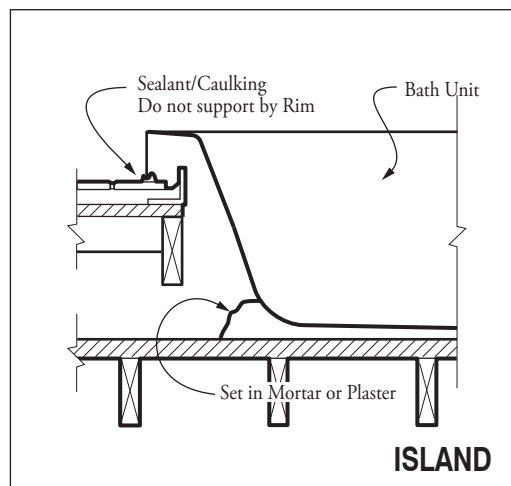
CLEANING

Clean up with liquid detergent and warm water.
AVOID USING ABRASIVE CLEANERS.



RECESS INSTALLATION

After checking for good fit and hooking up flex lines, place about 10 gallons of mortar mix along center area. Drop tub down and stand in tub (don't scratch the unit) until it levels out against the leveled 1x4. Hook up waste and overflow. Check for squareness with the 1x4. Fill tub with about one foot of water to hold tub in place. Allow mortar to dry for three (3) days. Use a high grade silicon or DAP to caulk outside edges. Do not use grout against the tub.



ISLAND INSTALLATION

The deck opening should be 1" smaller than the length and width of the tub. For example, a tub 36" x 60" should have a deck opening of 35" x 59".

After checking for good fit and hooking up flex lines, place about 10 gallons of mortar mix along center area. Drop tub down and stand in tub (don't scratch the unit) until it levels out against the tile. Hook up waste and overflow. Check for squareness with tile. Fill tub with about one foot of water to hold tub in place. Allow mortar to dry for three (3) days. Use a high grade silicon or DAP to caulk outside edges. Do not use grout against the tub.