



ADA
COMPLIANT*



Florestone Model 40-40H Barrier-Free Shower

42" x 37³/₄" x 78"

Weight: 205 lbs.

Architect's Specifications

Furnish and install one-piece gel-coated fiberglass shower stall Model 40-40H designed for barrier-free use as manufactured by Florestone Products Company. Basic shower will conform to ANSI-Z-124.2. Unit to include stainless steel curtain rod; Symmons® pressure balance mixing valve with concealed check stops; Moen® hand-held shower head with hose and chrome-plated slide bar; stainless steel corner grab bar; stainless steel recessed soap dish; white naugahyde folding wheelchair transfer seat (*specify right or left hand*).

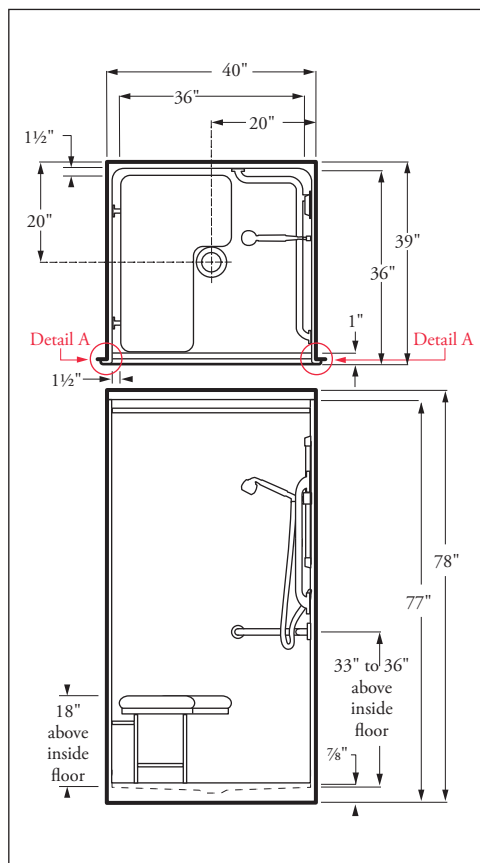
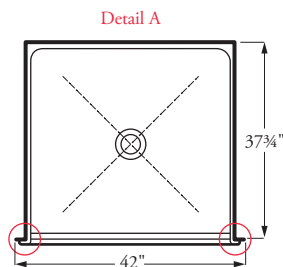
Supplied with 2" brass drain.

Shower curtain optional.

Curtain Size: 45" x 72".

Standard Color: White.

Special order colors available.



Specify Right or Left Hand Seat

**Dimensions may vary \pm 1/4" inch.
Please check unit before installation.**

For barrier-free installation, contractor shall provide 1/2" minimum recess for curb in sub floor.

ADA compliance when accessories installed by manufacturer.
Note: Exterior floor drain for water run-off recommended.
Symmons® is a Registered Trade Mark of Symmons Industries, Inc.
Moen® is a Registered Trade Mark of Moen Corporation.

Dimensions subject to
change without notice.

Contact Florestone
Products to verify
product specifications.

Standards:

I.A.P.M.O. File No. 0687

ANSI-Z-124.2



 **FLORESTONE**
A Spec Above.™

FLORESTONE PRODUCTS CO., INC.

2851 Falcon Drive • Madera, CA 93637

T. 559.661.4171 • T. 800.446.8827

F. 559.661.2070 • florestone.com

**Florestone
Model 3PC-40-40H
Barrier-Free Shower**

42" x 37³/₄" x 78"
Weight: 215 lbs.

**Architect's
Specifications**

Furnish and install three-piece gel-coated fiberglass shower stall Model 3PC-40-40H designed for barrier-free use as manufactured by Florestone Products Company. Basic shower will conform to ANSI-Z-124.2. Unit to include stainless steel curtain rod; Symmons® pressure balance mixing valve with concealed check stops; Moen® hand-held shower head with hose and chrome-plated slide bar; stainless steel corner grab bar; stainless steel recessed soap dish; white naugahyde folding wheelchair transfer seat (specify right or left hand).

Supplied with 2" brass drain.

Shower curtain optional.

Curtain Size: 45" x 75".

Standard Color: White.

Special order colors available.

Standards:

I.A.P.M.O. File No. 0687
ANSI-Z-124.2



FLORESTONE PRODUCTS CO., INC.

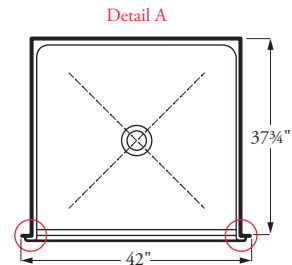
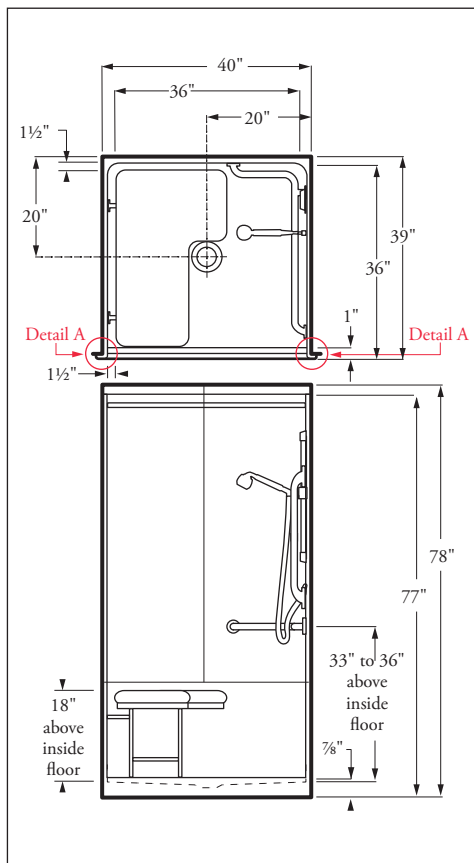
2851 Falcon Drive • Madera, CA 93637

T. 559.661.4171 • T. 800.446.8827

F. 559.661.2070 • florestone.com



ADA
COMPLIANT*



Specify Right or Left Hand Seat

**Dimensions may vary ± 1/4" inch.
Please check unit before installation.**

For barrier-free installation, contractor shall provide 1/2" minimum recess for curb in sub floor.

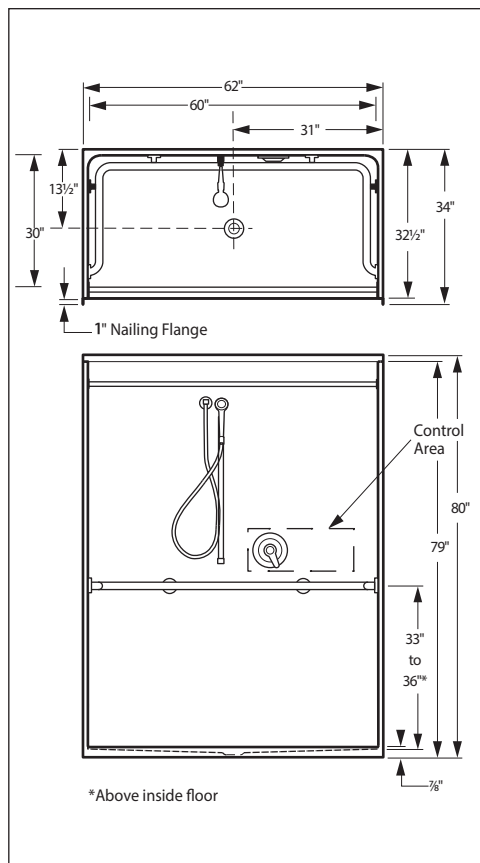
ADA compliance when accessories installed by manufacturer.
Note: Exterior floor drain for water run-off recommended.
Symmons® is a Registered Trade Mark of Symmons Industries, Inc.
Moen® is a Registered Trade Mark of Moen Corporation.

Dimensions subject to
change without notice.

Contact Florestone
Products to verify
product specifications.



ADA
COMPLIANT*



Florestone Model 34-62H Barrier-Free Shower

O.D. = 62" x 34" x 80"

I.D. = 60" x 31 1/2" x 79"

Weight: 255 lbs.

Architect's Specifications

Furnish and install one-piece acrylic fiberglass shower stall Model 34-62H designed for barrier-free use as manufactured by Florestone. Basic shower will conform to ANSI-Z-124.2. Unit to include stainless steel curtain rod; Symmons® pressure balance mixing valve with concealed check stops; Moen® hand-held shower head with hose and chrome-plated slide bar; stainless steel wrap-around grab bar; stainless steel recessed soap dish.

Supplied with 2" brass drain.

Shower curtain optional.

Curtain Size: 72" x 78".

Standard Color: White.

Special order colors available.

Standards:

I.A.P. M.O. File No. 0687

ANSI-Z-124.2



 **FLORESTONE**
A Spec. Above.™

FLORESTONE PRODUCTS CO., INC.

2851 Falcon Drive • Madera, CA 93637

T. 559.661.4171 • T. 800.446.8827

F. 559.661.2070 • florestone.com

Dimensions subject to
change without notice.

Contact Florestone Products
to verify product
specifications.

**Dimensions may vary ± 1/4" inch.
Please check unit before installation.**

For barrier-free installation, contractor shall provide 3/8" minimum recess for curb in sub floor.

ADA compliance when accessories installed by manufacturer.
Note: Exterior floor drain for water run-off recommended.
Symmons® is a Registered Trade Mark of Symmons Industries, Inc.
Moen® is a Registered Trade Mark of Moen Corporation.

**Florestone
Model 3PC-34-62H
Barrier-Free Shower**

O.D. = 62" x 34" x 80"
I.D. = 60" x 31½" x 79"
Weight: 255 lbs.

**Architect's
Specifications**

Furnish and install three-piece acrylic fiberglass shower stall Model 3PC-34-62H designed for barrier-free use as manufactured by Florestone. Basic shower will conform to ANSI-Z-124.2. Unit to include stainless steel curtain rod; Symmons® pressure balance mixing valve with concealed check stops; Moen® hand-held shower head with hose and chrome-plated slide bar; stainless steel wrap-around grab bar; stainless steel recessed soap dish.

Supplied with 2" brass drain.

Shower curtain optional.

Curtain Size: 72" x 78".

Standard Color: White.

Special order colors available.

Standards:

I.A.P. M.O. File No. 0687
ANSI-Z-124.2



FLORESTONE PRODUCTS CO., INC.

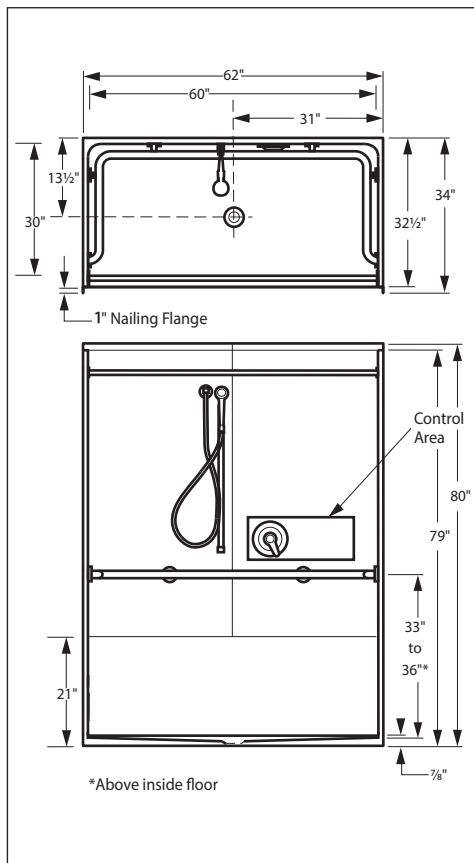
2851 Falcon Drive • Madera, CA 93637

T. 559.661.4171 • T. 800.446.8827

F. 559.661.2070 • florestone.com



ADA
COMPLIANT*



**Dimensions may vary ± ¼" inch.
Please check unit before installation.**

For barrier-free installation, contractor shall provide ¾" minimum recess for curb in sub floor.

ADA compliance when accessories installed by manufacturer.
Note: Exterior floor drain for water run-off recommended.
Symmons® is a Registered Trade Mark of Symmons Industries, Inc.
Moen® is a Registered Trade Mark of Moen Corporation.

**Dimensions subject to
change without notice.**

**Contact Florestone Products
to verify product
specifications.**

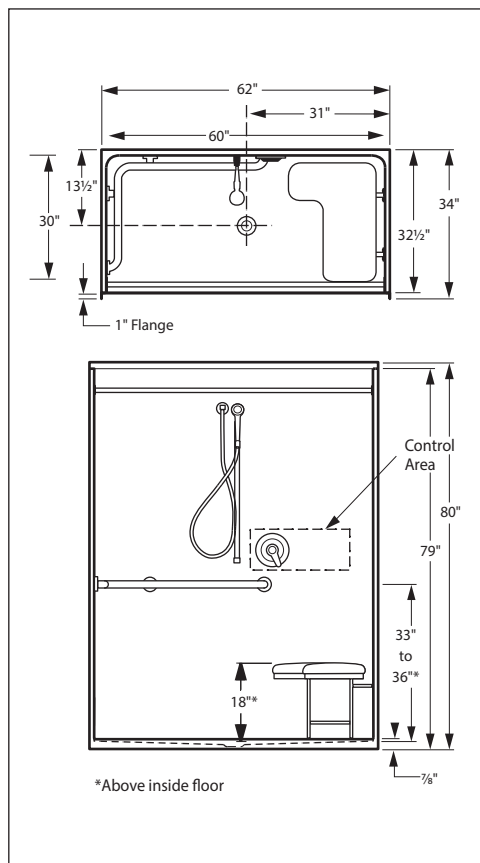


ADA
COMPLIANT*

CALIFORNIA
ADA
COMPLIANT*

Note: Units sold in CA

DO NOT come with a slide bar. Instead
a stationary wall hook will be installed
per CA-ADA requirements (2008).



Specify Right or Left Hand Seat

Dimensions may vary $\pm \frac{1}{4}$ " inch.
Please check unit before installation.

For barrier-free installation, contractor shall provide
 $\frac{3}{8}$ " minimum recess for curb in sub floor.

ADA compliance when accessories installed by manufacturer.
Note: Exterior floor drain for water run-off recommended.
Symmons® is a Registered Trade Mark of Symmons Industries, Inc.
Moen® is a Registered Trade Mark of Moen Corporation.

Florestone Model 35-62H Barrier-Free Shower

O.D. = 62" x 34" x 80"

I.D. = 60" x 31½" x 79"

Weight: 280 lbs.

Architect's Specifications

Furnish and install one-piece acrylic fiberglass shower stall Model 35-62H designed for barrier-free use as manufactured by Florestone. Basic shower will conform to ANSI-Z-124.2. Unit to include stainless steel curtain rod; Symmons® pressure balance mixing valve with concealed check stops; Moen® hand-held shower head with hose and chrome-plated slide bar; stainless steel corner grab bar; stainless steel recessed soap dish; white naugahyde folding wheelchair transfer seat (specify right or left hand).

Supplied with 2" brass drain.

Shower curtain optional.

Curtain Size: 72" x 78".

Standard Color: White.

Special order colors available.

Standards:

I.A.P. M.O. File No. 0687

ANSI-Z-124.2



 **FLORESTONE**
A Spec. Above.™

FLORESTONE PRODUCTS CO., INC.

2851 Falcon Drive • Madera, CA 93637

T. 559.661.4171 • T. 800.446.8827

F. 559.661.2070 • florestone.com

Dimensions subject to
change without notice.

Contact Florestone Products
to verify product
specifications.

Florestone Model 3PC-35-62H Barrier-Free Shower

O.D. = 62" x 34" x 80"

I.D. = 60" x 31½" x 79"

Weight: 290 lbs.

Architect's Specifications

Furnish and install three-piece acrylic fiberglass shower stall Model 3PC-35-62H designed for barrier-free use as manufactured by Florestone. Basic shower will conform to ANSI-Z-124.2. Unit to include stainless steel curtain rod; Symmons® pressure balance mixing valve with concealed check stops; Moen® hand-held shower head with hose and chrome-plated slide bar; stainless steel corner grab bar; stainless steel recessed soap dish; white naugahyde folding wheelchair transfer seat (specify right or left hand).

Supplied with 2" brass drain.

Shower curtain optional.

Curtain Size: 72" x 78".

Standard Color: White.

Special order colors available.

Standards:

I.A.P. M.O. File No. 0687

ANSI-Z-124.2



FLORESTONE PRODUCTS CO., INC.

2851 Falcon Drive • Madera, CA 93637

T. 559.661.4171 • T. 800.446.8827

F. 559.661.2070 • florestone.com

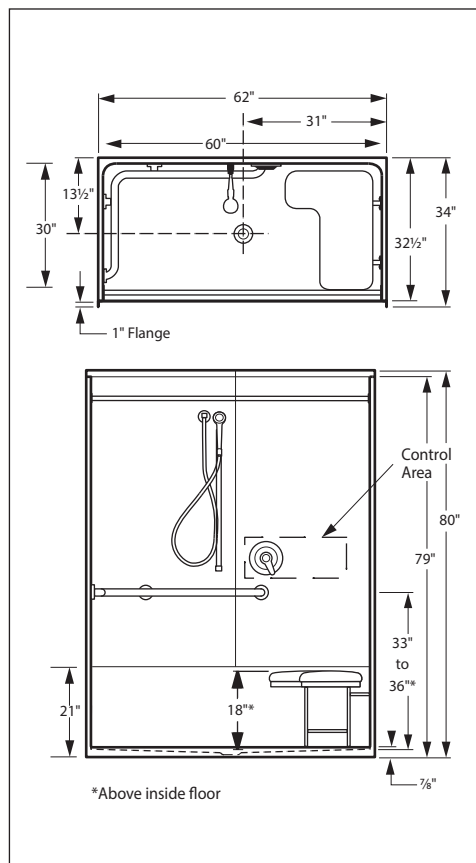


ADA
COMPLIANT*

CALIFORNIA
ADA
COMPLIANT*

Note: Units sold in CA

DO NOT come with a slide bar. Instead a stationary wall hook will be installed per CA-ADA requirements (2008).



Specify Right or Left Hand Seat

Dimensions may vary ± ¼" inch.

Please check unit before installation.

For barrier-free installation, contractor shall provide ¾" minimum recess for curb in sub floor.

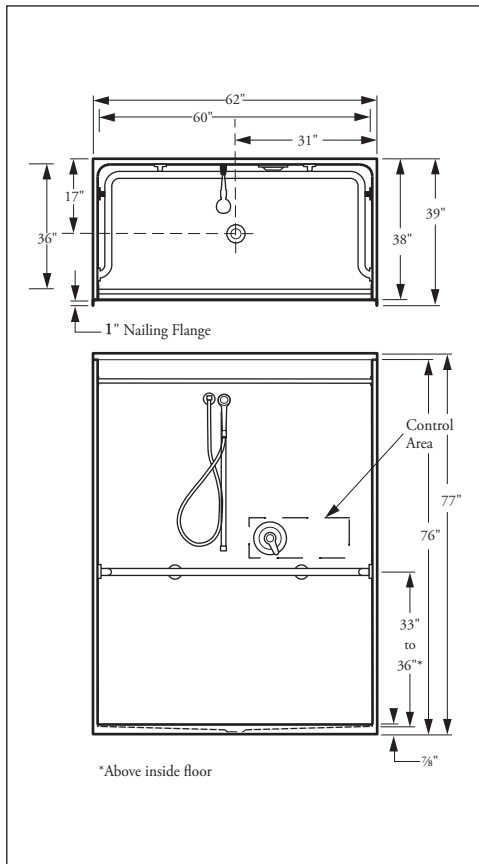
ADA compliance when accessories installed by manufacturer.
Note: Exterior floor drain for water run-off recommended.
Symmons® is a Registered Trade Mark of Symmons Industries, Inc.
Moen® is a Registered Trade Mark of Moen Corporation.

**Dimensions subject to
change without notice.**

**Contact Florestone Products
to verify product
specifications.**



ADA
COMPLIANT*



Florestone Model 39-62H Barrier-Free Shower

O.D. = 62" x 39" x 77"

I.D. = 60" x 37" x 76"

Weight: 285 lbs.

Architect's Specifications

Furnish and install one-piece gel-coated fiberglass shower stall Model 39-62H designed for barrier-free use as manufactured by Florestone Products Company. Basic shower will conform to ANSI-Z-124.2. Unit to include stainless steel curtain rod; Symmons® pressure balance mixing valve with concealed check stops; Moen® hand-held shower head with hose and chrome-plated slide bar; stainless steel wrap-around grab bar; stainless steel recessed soap dish.

Supplied with 2" brass drain.

Shower curtain optional.

Curtain Size: 72" x 72".

Standard Color: White.

Special order colors available.

Standards:

I.A.P.M.O. File No. 0687

ANSI-Z-124.2



 **FLORESTONE**
A Spec Above.™

FLORESTONE PRODUCTS CO., INC.

2851 Falcon Drive • Madera, CA 93637

T. 559.661.4171 • T. 800.446.8827

F. 559.661.2070 • florestone.com

**Dimensions may vary ± 1/4" inch.
Please check unit before installation.**

For barrier-free installation, contractor shall provide 5/8" minimum recess for curb in sub floor.

ADA compliance when accessories installed by manufacturer.
Note: Exterior floor drain for water run-off recommended.
Symmons® is a Registered Trade Mark of Symmons Industries, Inc.
Moen® is a Registered Trade Mark of Moen Corporation.

Dimensions subject to
change without notice.

Contact Florestone
Products to verify
product specifications.



Florestone Model 39-62H Tile Back Barrier-Free Shower

O.D. = 62" x 39" x 78"

I.D. = 60" x 37" x 75"

Weight: 285 lbs.

Architect's Specifications

Furnish and install one-piece gel-coated fiberglass shower stall Model 39-62H TB designed for barrier-free use as manufactured by Florestone Products Company. Basic shower will conform to ANSI-Z-124.2. Unit to include stainless steel curtain rod; Symmons® pressure balance mixing valve with concealed check stops; Moen® hand-held shower head with hose and chrome-plated slide bar; stainless steel wrap-around grab bar; stainless steel recessed soap dish.

Supplied with 2" brass drain.

Shower curtain optional.

Curtain Size: 72" x 72".

Standard Color: White.

Special order colors available.

Standards:

I.A.P.M.O. File No. 0687

ANSI-Z-124.2



FLORESTONE PRODUCTS CO., INC.

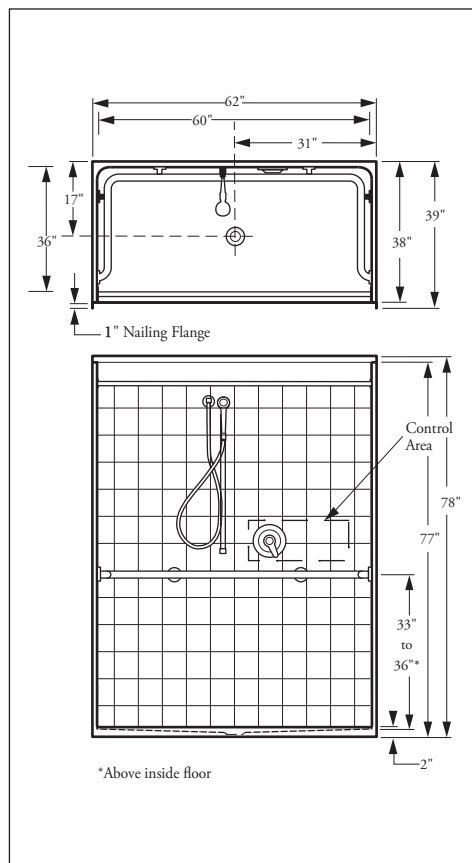
2851 Falcon Drive • Madera, CA 93637

T. 559.661.4171 • T. 800.446.8827

F. 559.661.2070 • florestone.com



ADA
COMPLIANT*



**Dimensions may vary ± 1/4" inch.
Please check unit before installation.**

For barrier-free installation, contractor shall provide 1 3/4" minimum recess for curb in sub floor.

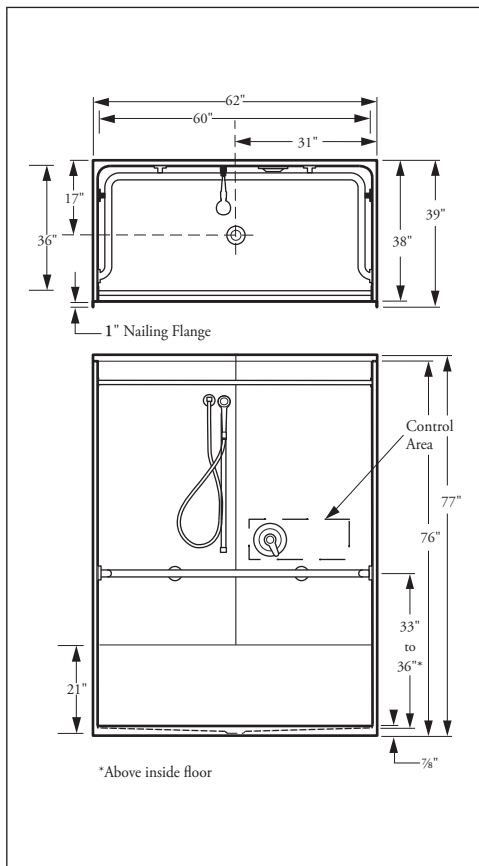
ADA compliance when accessories installed by manufacturer.
Note: Exterior floor drain for water run-off recommended.
Symmons® is a Registered Trade Mark of Symmons Industries, Inc.
Moen® is a Registered Trade Mark of Moen Corporation.

Dimensions subject to
change without notice.

Contact Florestone
Products to verify
product specifications.



ADA
COMPLIANT*



Florestone Model 3PC-39-62H Barrier-Free Shower

O.D. = 62" x 39" x 77"

I.D. = 60" x 37" x 76"

Weight: 295 lbs.

Architect's Specifications

Furnish and install three-piece gel-coated fiberglass shower stall Model 3PC-39-62H designed for barrier-free use as manufactured by Florestone Products Company. Basic shower will conform to ANSI-Z-124.2. Unit to include stainless steel curtain rod; Symmons® pressure balance mixing valve with concealed check stops; Moen® hand-held shower head with hose and chrome-plated slide bar; stainless steel wrap-around grab bar; stainless steel recessed soap dish.

Supplied with 2" brass drain.

Shower curtain optional.

Curtain Size: 72" x 72".

Standard Color: White.

Special order colors available.

Standards:

I.A.P.M.O. File No. 0687

ANSI-Z-124.2



Dimensions subject to
change without notice.

Contact Florestone
Products to verify
product specifications.

Dimensions may vary ± 1/4" inch. Please check unit before installation.

For barrier-free installation, contractor shall provide 5/8" minimum recess for curb in sub floor.

ADA compliance when accessories installed by manufacturer.
Note: Exterior floor drain for water run-off recommended.
Symmons® is a Registered Trade Mark of Symmons Industries, Inc.
Moen® is a Registered Trade Mark of Moen Corporation.

 **FLORESTONE**
A Spec Above.™

FLORESTONE PRODUCTS CO., INC.

2851 Falcon Drive • Madera, CA 93637

T. 559.661.4171 • T. 800.446.8827

F. 559.661.2070 • florestone.com



**Florestone
Model 40-62H Tile Back
Barrier-Free Shower**

O.D. = 62" x 39" x 78"

I.D. = 60" x 37" x 75"

Weight: 310 lbs.

**Architect's
Specifications**

Furnish and install one-piece gel-coated fiberglass shower stall Model 40-62H TB designed for barrier-free use as manufactured by Florestone Products Company. Basic shower will conform to ANSI-Z-124.2. Unit to include stainless steel curtain rod; Symmons® pressure balance mixing valve with concealed check stops; Moen® hand-held shower head with hose and mounting bracket; stainless steel corner grab bar; stainless steel recessed soap dish; white naugahyde folding wheelchair transfer seat (specify right or left hand).

Supplied with 2" brass drain.

Shower curtain optional.

Curtain Size: 72" x 72".

Standard Color: White.

Special order colors available.

Standards:

I.A.P.M.O. File No. 0687
ANSI-Z-124.2

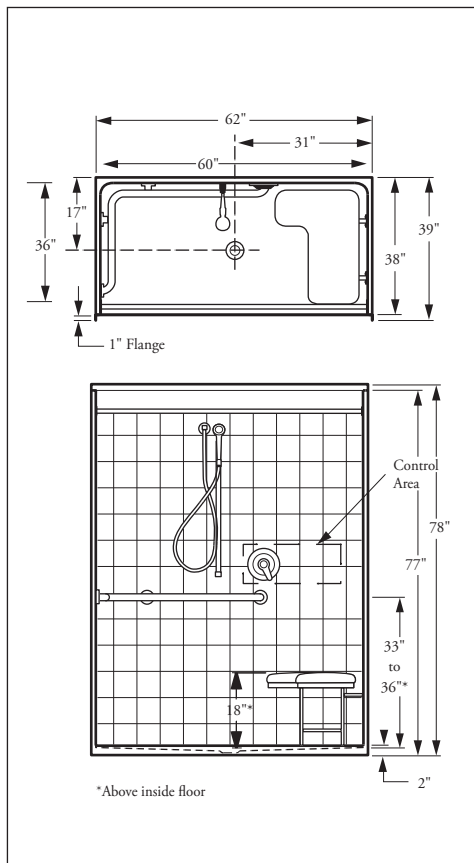


FLORESTONE PRODUCTS CO., INC.

2851 Falcon Drive • Madera, CA 93637

T. 559.661.4171 • T. 800.446.8827

F. 559.661.2070 • florestone.com



Specify Right or Left Hand Seat

**Dimensions may vary ± 1/4" inch.
Please check unit before installation.**

For barrier-free installation, contractor shall provide 1 3/4" minimum recess for curb in sub floor.

ADA compliance when accessories installed by manufacturer.
Note: Exterior floor drain for water run-off recommended.
Symmons® is a Registered Trade Mark of Symmons Industries, Inc.
Moen® is a Registered Trade Mark of Moen Corporation.



ADA
COMPLIANT*

CALIFORNIA
ADA
COMPLIANT*

Note: Units sold in CA

DO NOT come with a slide bar.

Instead a stationary wall hook

will be installed per CA-ADA

requirements (2008).

Dimensions subject to
change without notice.

Contact Florestone
Products to verify
product specifications.



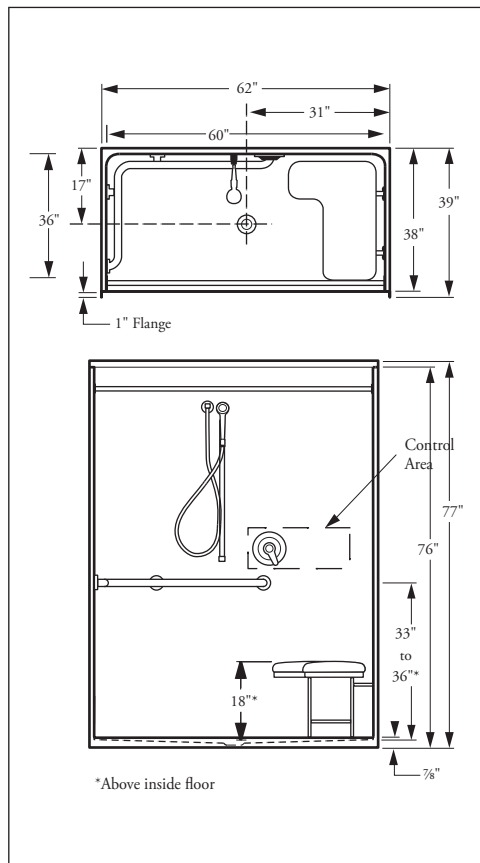
ADA
COMPLIANT*

CALIFORNIA
ADA
COMPLIANT*

Note: Units sold in CA

DO NOT come with a slide bar.

Instead a stationary wall hook
will be installed per CA-ADA
requirements (2008).



Specify Right or Left Hand Seat

**Dimensions may vary \pm 1/4" inch.
Please check unit before installation.**

For barrier-free installation, contractor shall provide
5/8" minimum recess for curb in sub floor.

ADA compliance when accessories installed by manufacturer.
Note: Exterior floor drain for water run-off recommended.
Symmons® is a Registered Trade Mark of Symmons Industries, Inc.
Moen® is a Registered Trade Mark of Moen Corporation.

Dimensions subject to
change without notice.

Contact Florestone
Products to verify
product specifications.

Florestone Model 40-62H Barrier-Free Shower

O.D. = 62" x 39" x 77"

I.D. = 60" x 37" x 76"

Weight: 310 lbs.

Architect's Specifications

Furnish and install one-piece gel-coated fiberglass shower stall Model 40-62H designed for barrier-free use as manufactured by Florestone Products Company. Basic shower will conform to ANSI-Z-124.2. Unit to include stainless steel curtain rod; Symmons® pressure balance mixing valve with concealed check stops; Moen® hand-held shower head with hose and chrome-plated slide bar; stainless steel corner grab bar; stainless steel recessed soap dish; white naugahyde folding wheelchair transfer seat (specify right or left hand).

Supplied with 2" brass drain.

Shower curtain optional.

Curtain Size: 72" x 72".

Standard Color: White.

Special order colors available.

Standards:

I.A.P.M.O. File No. 0687

ANSI-Z-124.2

• CA-TITLE-24



 **FLORESTONE**
A Spec Above.™

FLORESTONE PRODUCTS CO., INC.

2851 Falcon Drive • Madera, CA 93637

T. 559.661.4171 • T. 800.446.8827

F. 559.661.2070 • florestone.com

**Florestone
Model 3PC-40-62H
Barrier-Free Shower**

O.D. = 62" x 39" x 77"
I.D. = 60" x 37" x 76"
Weight: 320 lbs.

**Architect's
Specifications**

Furnish and install three-piece gel-coated fiberglass shower stall Model 3PC-40-62H designed for barrier-free use as manufactured by Florestone Products Company. Basic shower will conform to ANSI-Z-124.2. Unit to include stainless steel curtain rod; Symmons® pressure balance mixing valve with concealed check stops; Moen® hand-held shower head with hose and chrome-plated slide bar; stainless steel corner grab bar; stainless steel recessed soap dish; white naugahyde folding wheelchair transfer seat (specify right or left hand).

Supplied with 2" brass drain.

Shower curtain optional.

Curtain Size: 72" x 72".

Standard Color: White.

Special order colors available.

Standards:

- I.A.P.M.O. File No. 0687
- ANSI-Z-124.2
- CA-TITLE-24

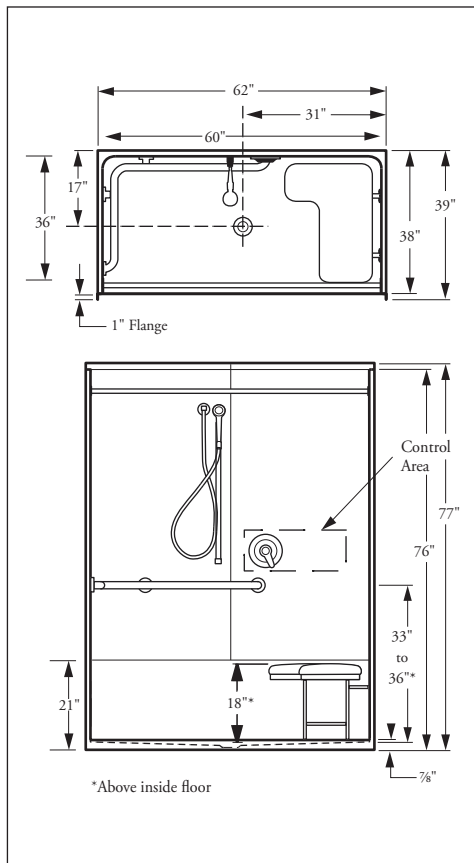


FLORESTONE PRODUCTS CO., INC.

2851 Falcon Drive • Madera, CA 93637

T. 559.661.4171 • T. 800.446.8827

F. 559.661.2070 • florestone.com



Specify Right or Left Hand Seat

**Dimensions may vary ± 1/4" inch.
Please check unit before installation.**

For barrier-free installation, contractor shall provide 5/8" minimum recess for curb in sub floor.

ADA compliance when accessories installed by manufacturer.
Note: Exterior floor drain for water run-off recommended.
Symmons® is a Registered Trade Mark of Symmons Industries, Inc.
Moen® is a Registered Trade Mark of Moen Corporation.



**ADA
COMPLIANT***

**CALIFORNIA
ADA
COMPLIANT***

Note: Units sold in CA

DO NOT come with a slide bar. Instead a stationary wall hook will be installed per CA-ADA requirements (2008).

**Dimensions subject to
change without notice.**

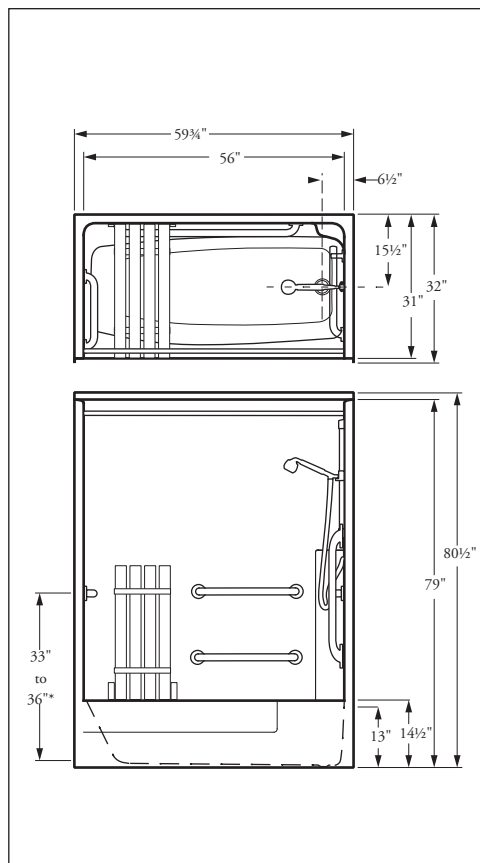
**Contact Florestone
Products to verify
product specifications.**



ADA
COMPLIANT*

CALIFORNIA
ADA
COMPLIANT*

Note: Units sold in CA
DO NOT come with a slide bar.
Instead a stationary wall hook
will be installed per CA-ADA
requirements (2008).



Specify Right or Left Hand Drain
Dimensions may vary \pm 1/4" inch.
Please check unit before installation.

Dimensions subject to
change without notice.

Contact Florestone
Products to verify
product specifications.

Symmons® is a Registered Trade Mark of Symmons Industries, Inc.
Moen® is a Registered Trade Mark of Moen Corporation.

Florestone Model 60-31HTS Tub/Shower

59³/₄" x 32" x 80¹/₂"
Weight: 200 lbs.

Architect's Specifications

Furnish and install one-piece gel-coated fiberglass shower stall Model 60-31HTS designed for barrier-free use as manufactured by Florestone Products Company. Basic shower will conform to ANSI-Z-124.2. Unit to include stainless steel curtain rod; Symmons® pressure balance mixing valve with concealed check stops; Moen® hand-held shower head with hose and chrome-plated slide bar; stainless steel grab bars; 3 each 24", 2 each 18"; molded corner soap dish; folding seat.

Shower curtain optional.

Curtain Size: 72" x 72".

Standard Color: White.

Special order colors available.

Standards:

I.A.P.M.O. File No. 0687
ANSI-Z-124.2



 **FLORESTONE**
A Spec Above.™

FLORESTONE PRODUCTS CO., INC.

2851 Falcon Drive • Madera, CA 93637

T. 559.661.4171 • T. 800.446.8827

F. 559.661.2070 • florestone.com

Florestone Model 60-31HTS Tile Back Tub/Shower

59¾" x 32" x 80½"

Weight: 200 lbs.

Architect's Specifications

Furnish and install one-piece gel-coated fiberglass shower stall Model 60-31 HTS TB as manufactured by Florestone Products Company. Basic shower will conform to ANSI-Z-124.2. Unit to include stainless steel curtain rod; Symmons® pressure balance mixing valve with concealed check stops; Moen® hand-held shower head with hose and mounting bracket; stainless steel grab bars; 3 each 24", 2 each 18"; molded corner soap dish; folding seat.

Shower curtain optional

Curtain Size: 72" x 72"

Standard Color: White

Special order colors available

Standards:

I.A.P.M.O. File No. 0687
ANSI-Z-124.2

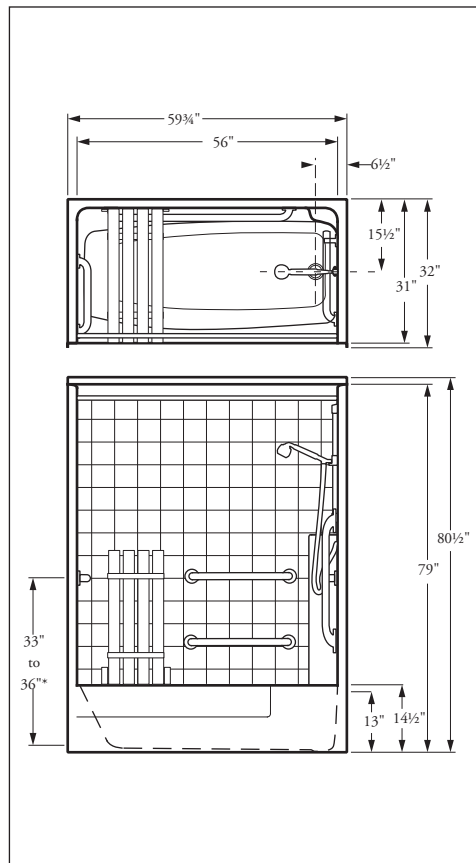


FLORESTONE PRODUCTS CO., INC.

2851 Falcon Drive • Madera, CA 93637

T. 559.661.4171 • T. 800.446.8827

F. 559.661.2070 • florestone.com



Specify Right or Left Hand Drain

Dimensions may vary ± ¼" inch.

Please check unit before installation.



ADA
COMPLIANT*

CALIFORNIA
ADA
COMPLIANT*

Note: Units sold in CA

DO NOT come with a slide bar.

Instead a stationary wall hook

will be installed per CA-ADA

requirements (2008).

Dimensions subject to
change without notice.

Contact Florestone
Products to verify
product specifications.

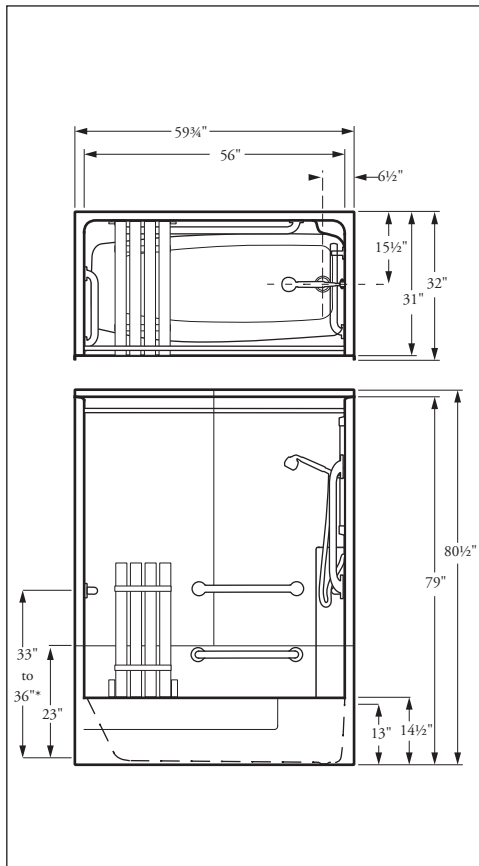
Symmons® is a Registered Trade Mark of Symmons Industries, Inc.
Moen® is a Registered Trade Mark of Moen Corporation.



ADA
COMPLIANT*

CALIFORNIA
ADA
COMPLIANT*

Note: Units sold in CA
DO NOT come with a slide bar.
Instead a stationary wall hook
will be installed per CA-ADA
requirements (2008).



Specify Right or Left Hand Seat
Dimensions may vary ± 1/4" inch.
Please check unit before installation.

Dimensions subject to
change without notice.

Contact Florestone
Products to verify
product specifications.

Symmons® is a Registered Trade Mark of Symmons Industries, Inc.
Moen® is a Registered Trade Mark of Moen Corporation.

Florestone Model 3PC-60-31HTS Tub/Shower

59³/₄" x 32" x 80¹/₂"
Weight: 200 lbs.

Architect's Specifications

Furnish and install one-piece gel-coated fiberglass shower stall Model 3PC-60-31HTS designed for barrier-free use as manufactured by Florestone Products Company. Basic shower will conform to ANSI-Z-124.2. Unit to include stainless steel curtain rod; Symmons® pressure balance mixing valve with concealed check stops; Moen® hand-held shower head with hose and chrome-plated slide bar; stainless steel grab bars; 3 each 24", 2 each 18"; molded corner soap dish; folding seat.

Shower curtain optional.

Curtain Size: 72" x 72".

Standard Color: White.

Special order colors available.

Standards:

I.A.P.M.O. File No. 0687
ANSI-Z-124.2



 **FLORESTONE**
A Spec Above.™

FLORESTONE PRODUCTS CO., INC.

2851 Falcon Drive • Madera, CA 93637

T. 559.661.4171 • T. 800.446.8827

F. 559.661.2070 • florestone.com

3PC-60-31HTS — ADA Compliant / CA ADA Compliant



**Floestone
Model 400 Barrier-Free
Terrazzo-Shower Receptor**



Some Models Conform to
ADA REQUIREMENTS*

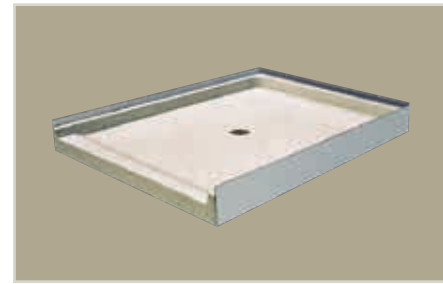
**Architect's
Specifications**

Furnish and install wheelchair accessible Terrazzo Shower Receptor Model 400 as manufactured by Floestone Products Company. Flanges on three sides, cast integral, shall be of galvanized - bonderized steel and shall extend not less than 1" above the shoulders. Shoulders on three sides shall be not less than 2½" inside. Threshold shall be not more than ½" above receptor floor to allow for barrier free entrance. Drain body shall be brass, cast integral, and shall provide for a non-caulked connection not less than one inch deep to a 2" pipe. Removable type stainless steel strainer plate shall be supplied. Receptor shall be manufactured of tan and white marble chips cast in white Portland cement to produce a compressive strength of not less than 3,000 PSI, seven days after casting. Terrazzo surface shall be ground, polished, and the entire unit sealed to resist stains and moisture. Receptors reinforced with 16-gauge wire.

Options

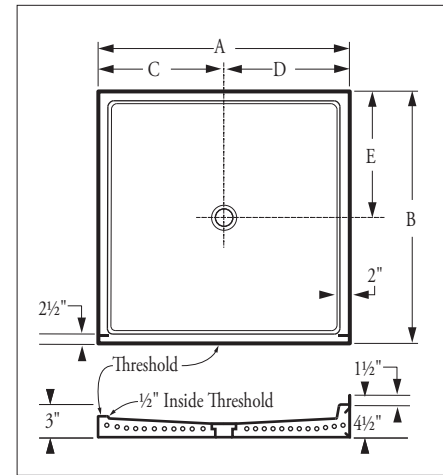
Offset drain.
Additional flanges.
(Drawings required)

Note: Terrazzo is not designed to be used with anything that is over 130 degrees Fahrenheit.



Model 400

Barrier free, center drain Terrazzo Shower Receptors with reduced threshold height.



A*	B	C	D	E	WT.
36"	36"	18"	18"	18"	315
✓ 40"	38"	20"	20"	19"	370
42"	42"	21"	21"	21"	381
42"	36"	21"	21"	18"	365
48"	36"	24"	24"	18"	445
48"	48"	24"	24"	24"	550
60"	32"	30"	30"	16"	435
60"	36"	30"	30"	18"	500
✓ 63"	33"	31½"	31½"	16½"	500

- * Width of threshold (other sizes available upon request)
- ✓ Conforms to ADA Requirements



FLORESTONE PRODUCTS CO., INC.

2851 Falcon Drive • Madera, CA 93637
T. 559.661.4171 • T. 800.446.8827
F. 559.661.2070 • floestone.com

Dimensions subject to change without notice.
Contact Floestone Products to verify product specifications.

For barrier-free installation, contractor shall provide 1½" minimum recess for curb in sub floor.

**Florestone
Model 4040F Barrier-Free
Molded Fiberglass
Shower Receptor**



ADA
COMPLIANT*

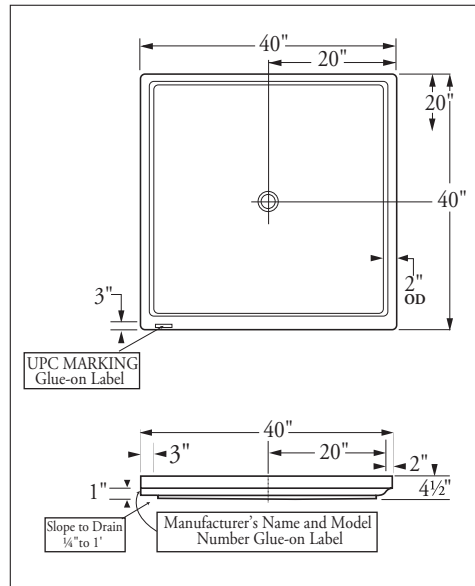
**Architect's
Specifications**

Furnish and install one piece shower unit Model 4040F-BF as manufactured by Florestone Products Company. Unit to be manufactured of gel-coated fiberglass and to be supplied with slip-resistant floor laminated for extra rigidity. Color will be white (unless otherwise specified). Unit to be supplied with a 2" BNC brass non-caulk drain.

One piece, single threshold model for recessed installation. Features 1" flange on three remaining sides.

Standard Color: White

Optional Colors: Color matching for most major manufacturers' colors is available.



Standards:

- I.A.P.M.O. File No. 0687
- ANSI Z-124.2
- HUD/FHA National Specifications UN-73
- CSA TEST Warnock Hersey Listed: CAN/CSA-B45.0-CAN/USA-B45.5



FLORESTONE PRODUCTS CO., INC.

2851 Falcon Drive • Madera, CA 93637
T. 559.661.4171 • T. 800.446.8827
F. 559.661.2070 • florestone.com

**Dimensions may vary ± 1/4" inch.
Please check unit before installation.**

For barrier-free installation, contractor shall provide 1/2" minimum recess for curb in sub floor.

ADA compliance when accessories installed by manufacturer.

Dimensions subject to
change without notice.

Contact Florestone
Products to verify
product specifications.