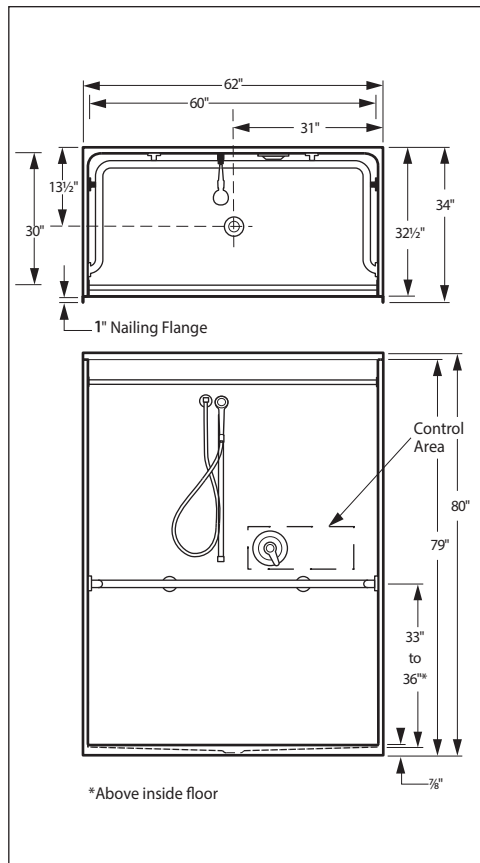




ADA
COMPLIANT*



Florestone Model 34-62H Barrier-Free Shower

O.D. = 62" x 34" x 80"
I.D. = 60" x 31½" x 79"
Weight: 255 lbs.

Architect's Specifications

Furnish and install one-piece acrylic fiberglass shower stall Model 34-62H designed for barrier-free use as manufactured by Florestone. Basic shower will conform to ANSI-Z-124.2. Unit to include stainless steel curtain rod; Symmons® pressure balance mixing valve with concealed check stops; Moen® hand-held shower head with hose and chrome-plated slide bar; stainless steel wrap-around grab bar; stainless steel recessed soap dish.

Supplied with 2" brass drain.

Shower curtain optional.

Curtain Size: 72" x 78".

Standard Color: White.

Special order colors available.

Standards:

I.A.P. M.O. File No. 0687
ANSI-Z-124.2



 **FLORESTONE**
A Spec. Above.™

FLORESTONE PRODUCTS CO., INC.

2851 Falcon Drive • Madera, CA 93637

T. 559.661.4171 • T. 800.446.8827

F. 559.661.2070 • florestone.com

Dimensions subject to
change without notice.

Contact Florestone Products
to verify product
specifications.

**Dimensions may vary ± ¼" inch.
Please check unit before installation.**

For barrier-free installation, contractor shall provide ¾" minimum recess for curb in sub floor.

ADA compliance when accessories installed by manufacturer.
Note: Exterior floor drain for water run-off recommended.
Symmons® is a Registered Trade Mark of Symmons Industries, Inc.
Moen® is a Registered Trade Mark of Moen Corporation.